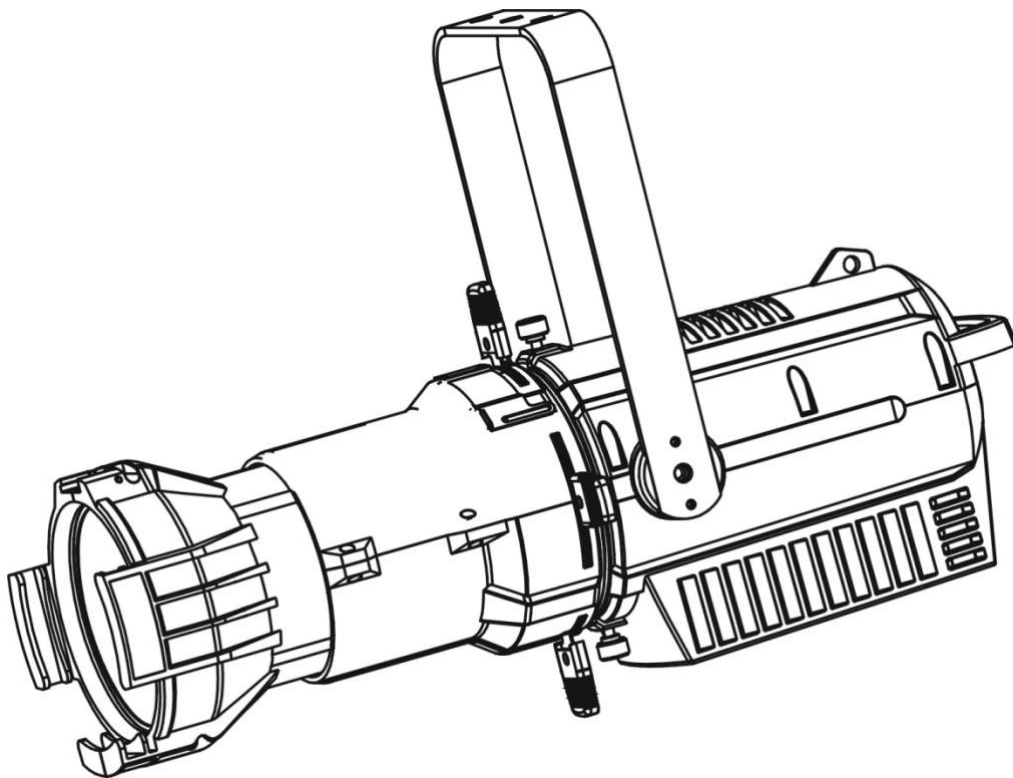


THEATRE
stage
lighting



TSL LED Profile 160 WW/36

User Manual



Thank you for purchasing a THEATRE STAGE LIGHTING product. You have acquired a powerful and versatile fixture. We are confident that you will be satisfied with our excellent products and service. For your own safety, please read this user manual carefully before installing and operating the device.

CONTENTS

1. SAFETY INSTRUCTIONS	2
2. FEATURES	4
3. FIXTURE OVERVIEW	6
4. DIMENSIONAL DRAWINGS	7
5. INSTALLATION INSTRUCTIONS	7
6. DMX-512 CONTROL CONNECTION	10
7. DMX-512 CONNECTION WITH DMX TERMINATOR	10
8. DEVICE DMX START ADDRESS SELECTION	11
9. DISPLAY	11
10. DMX PROTOCOL	20
11. OPTIONS	22
12. CLEANING AND MAINTENANCE	22
13. SERVICE	24

1. SAFETY INSTRUCTIONS


1.1. IMPORTANT SAFETY WARNING

This device has left the factory in perfect condition. In order to maintain this condition and to ensure safe operation, it is absolutely necessary for the user to follow the safety instructions and warning notes written in this user manual.


In order to install, operate, and maintain the lighting fixture safely and correctly we suggest that the installation and operation be carried out by qualified technicians and these instructions be carefully followed.

	CAUTION! HIGH VOLTAGE. RISK OF SEVERE OR FATAL ELECTRIC SHOCK
---	---

	CAUTION! ALWAYS DISCONNECT MAINS SUPPLY BEFORE REMOVING ANY FIXTURE COVERS
---	--

	CAUTION! NEVER LOOK DIRECTLY INTO THE LIGHT SOURCE. SENSITIVE PERSONS MAY SUFFER AN EPILEPTIC SHOCK
---	---

	CAUTION! NEVER TOUCH THE DEVICE DURING OPERATION! COVERS MAY BE HOT
---	---

 ***Important:*** *Damage caused by the disregard of this user manual is not subject to warranty. The dealer and manufacturer will not accept liability for any resulting defects or problems.*

- If the device has been exposed to temperature changes due to environmental conditions, do not power on immediately. The resulting condensation could damage the device. Leave the device powered off until it has reached room temperature.
- Ensure only professional technicians perform maintenance on the fixture. To maintain the fixture's IP65 rating, it is important to tighten screws properly following maintenance.
- Ensure the sealing rubber covers of oower CON and XLR connectors are fitted properly when the device is not in use, to avoid water ingress.
- This device falls under protection-class I. Therefore, it is essential that the device be earthed.
- If either lenses or display are damaged (damage may include cracks or gashes in the material) they must be replaced.
- Electrical connections, such as replacing the power plug, must be performed by a qualified person.
- Make sure that the available voltage is not higher than that which is stated at the end of this manual.

- Make sure the power cord is never crushed or damaged by sharp edges. If this should be the case, replacement of the cable must be done by an authorized dealer.
- If the external flexible power cord of this device is damaged, it shall be exclusively replaced by the manufacturer or their service agent or a similar qualified person in order to avoid injury.
- When the device is not in use or before performing maintenance, always disconnect the device from the mains. Only handle the power cord from the plug. Never pull the plug out of a socket by tugging the power cord.
- When powered on for the first time, some smoke or smell may occur. This is caused by coating on metal parts when heated and is normal. If you are concerned, please contact your distributor.
- Do not focus the beam onto flammable surfaces. The minimum distance between the exiting lens of the device and the illuminated surface must be greater than 0.5 meter.

Please be aware that damage caused by any modifications to the device are not subject to warranty. Keep away from children and non-professionals.

1.2. GENERAL GUIDELINES

- This device is a lighting effect for professional use on stages, in discotheques, theatres, etc. the device was designed for indoor.
- This fixture is only allowed to be operated within the maximum alternating current as stated in the technical specifications in section 2 of this manual.
- Handle the device with care, avoid shaking or using force when installing or maintaining the device.
- If you use the quick lock cam when rigging the device, make sure the quick lock fasteners are located in the quick lock holes correctly and securely.
- Operate the device only after having familiarized yourself with its functions. Do not permit operation by persons not qualified for operating the device. Most damage is the result of unprofessional operation.
- Please use the original packaging if the device is to be transported.
- The applicable temperature for the device is between -10°C to 45°C. Do not use the device outside of this temperature range.
- The light source of this luminaire is not replaceable; when the light source reaches its end of life the whole luminaire shall be replaced.

For safety reasons, please be aware that all modifications to the device are forbidden. If this device is operated in any way different to the ones described in this manual, the product may suffer damage and the warranty becomes void. Furthermore, any other operation may lead to short-circuits, burns, electric shocks etc.

2. FEATURES

POWER SUPPLY

- AC 100-240V~, 50/60Hz
- Power Consumption: 160W

LIGHT SOURCE

- LED: 1 pcs power LED 130W (CLU048-1818C4-303H5K2)
- LED Life: 100,000H
- Color temperature: 3000 K
- Luminous flux: 11200 lm
- CRI: ≥ 92 Ra

FEATURES

- 3 Control channel modes: 2/5/7 channels
- 2 Operation modes: DMX-512, Master / Slave mode
- Beam angle: 36°
- Strobe effect with 1-25 flashes per second and pulse effect
- Dimmer: 0%~100% full range dimming, 16bit dimming curve
- Gamma: 2.0, 2.2, 2.4, 2.6, 2.8, to fit for different cameras
- Refresh rate: 900-1,500Hz, 25,000Hz
- Control: RDM compatible
- Flicker free Operation for TV
- Manual focus
- Smart control system of cooling fans
- Changeable lenses tube

GOBO SYSTEM

Rotating gobo wheel: Support "B" size metal. HT transparency gobos. Holder optional. Gobo OD: 86mm

DISPLAY

Friendly LCD display

SOFTWARE

Upgrades: fast and convenient through DMX cable with DMX-512 controller

OTHER SPEC

- IP Rating: IP 20
- DMX connection: 3/5 pin in/out

DIMENSION

- Length 618mm
- Width 269mm
- Height 398mm

WEIGHT

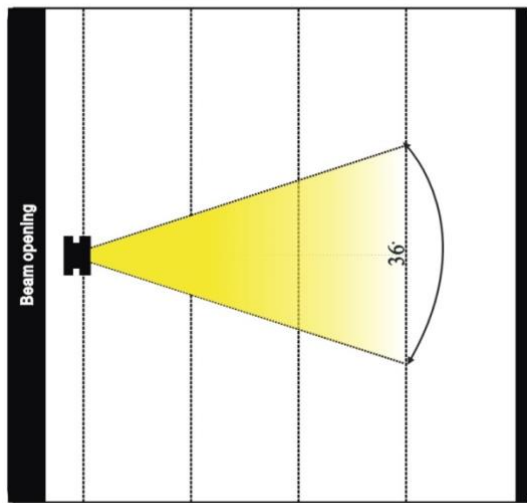
Net weight: 7,4kg

PHOTOMETRIC DATA

Beam angle

Intensity LUX (36°)

Full LEDs 9568 1916 1144



Distance(m)	2.5	5.0	7.5
Diameter(m)	Φ 1.63	Φ 3.24	Φ 4.86

DMX CHANNEL CHART

2 Channel mode:

%	1	2
	Dimmer	Control
100%		No function
		Program 7
		...
		Program 1
75%		No function
		No function
50%		No function
		No function
25%		No function
		No function
0%		Normal

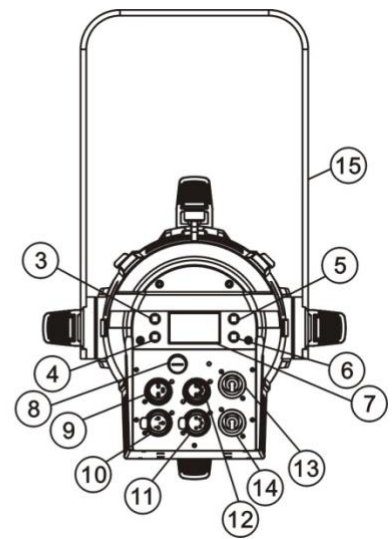
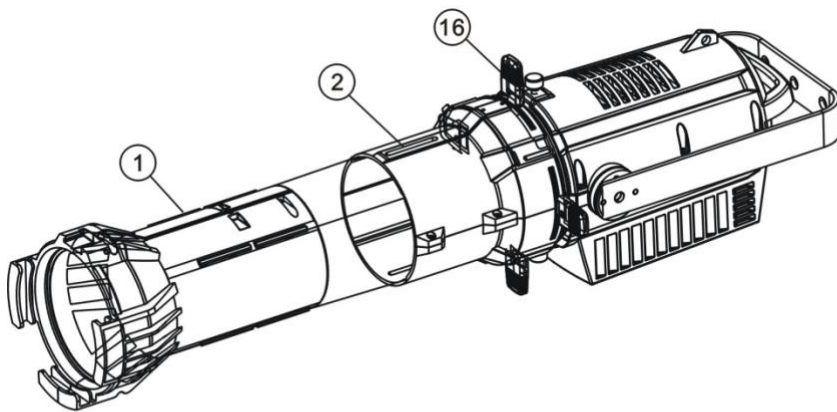
5 Channel mode:

%	1	2	3	4	5
	Strobe	Dimmer	Dim Curves	Control	Warm White LED
100%			Default to Unit Curve Setting	No function	
				Program 7	
	RANDOM STROBE		Theatre	...	
75%				Program 1	
			Architectural	No function	
50%	Pulse-effect in sequence		TV	No function	
			Stage	No function	
25%			Standard	No function	
0%				Normal	

7 Channel mode:

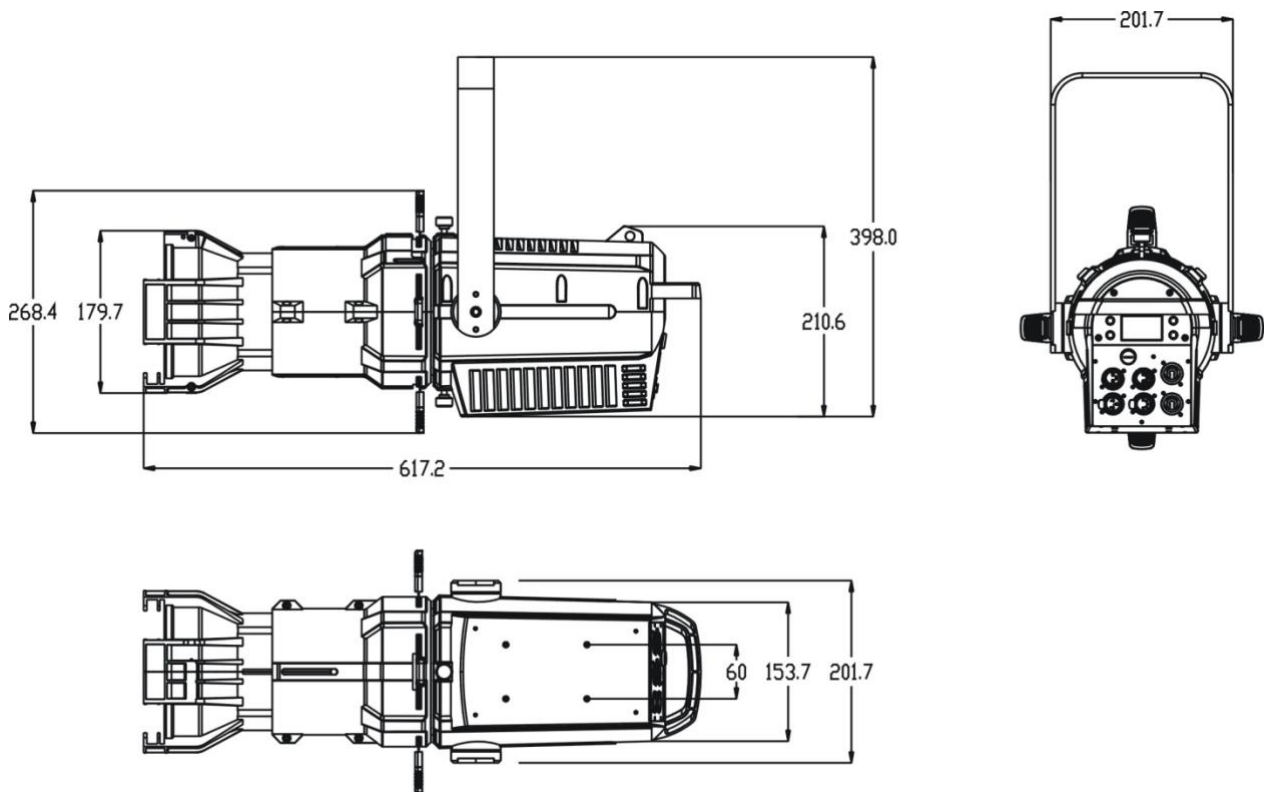
%	1	2	3	4	5	6	7
	Strobe	Dimmer	Dimmer Fine	Dim Curves	Control	Warm White LED	Warm White LED Fine
100%				Default to Unit Curve Setting	No function		
					Program 7		
	RANDOM STROBE			Theatre	...		
75%					Program 1		
				Architectural	No function		
50%	Pulse-effect in sequence			TV	No function		
				Stage	No function		
25%				Standard	No function		
0%					Normal		Fine control for Warm White LED adjustment

3. FIXTURE OVERVIEW



- | | |
|-----------------------------|-------------------|
| 1) Lampshade (not included) | 10) 3-Pin DMX Out |
| 2) FOCUS | 11) 5-Pin DMX Out |
| 3) Up-button | 12) 5-Pin DMX In |
| 4) Down-button | 13) Power In |
| 5) Mode/Esc-button | 14) Power Out |
| 6) ENTER-button | 15) Floor-stand |
| 7) LCD Menu Control Display | 16) Cutter |
| 8) Fuse | |
| 9) 3-Pin DMX In | |

4. DIMENSIONAL DRAWINGS



5. INSTALLATION INSTRUCTIONS

5.1. Rigging the device

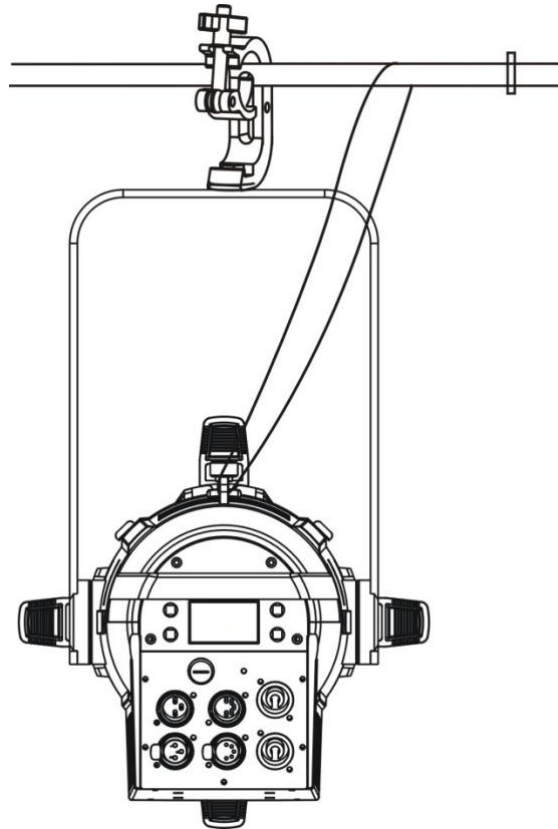


CAUTION!

PLEASE CONSIDER THE RESPECTIVE NATIONAL NORMS DURING INSTALLATION. THE INSTALLATION MUST ONLY BE CARRIED OUT BY A QUALIFIED PERSON.

- The applicable temperature for the lighting is between -10°C to 45°C . Do not use the lighting under or above the temperature.
- The installation of the effect has to be built and constructed in a way that it can hold 10 times the weight for 1 hour without any harming deformation.
- The installation must always be secured with a secondary safety attachment, e. g. an appropriate safety rope.
- Never stand directly below the device when mounting, removing or servicing the fixture.
- The operator has to make sure the safety relating and machine technical installations are approved by an expert before taking the device into operation for the first time.
- These installations have to be approved by a skilled person once a year.
- Overhead mounting requires extensive experience, including amongst others calculating working load limits, installation material being used, and periodic safety inspection of all installation material and the device. If you lack these qualifications, do not attempt the installation yourself. Improper installation can result in bodily injury.

5.2. Rigging using the omega brackets



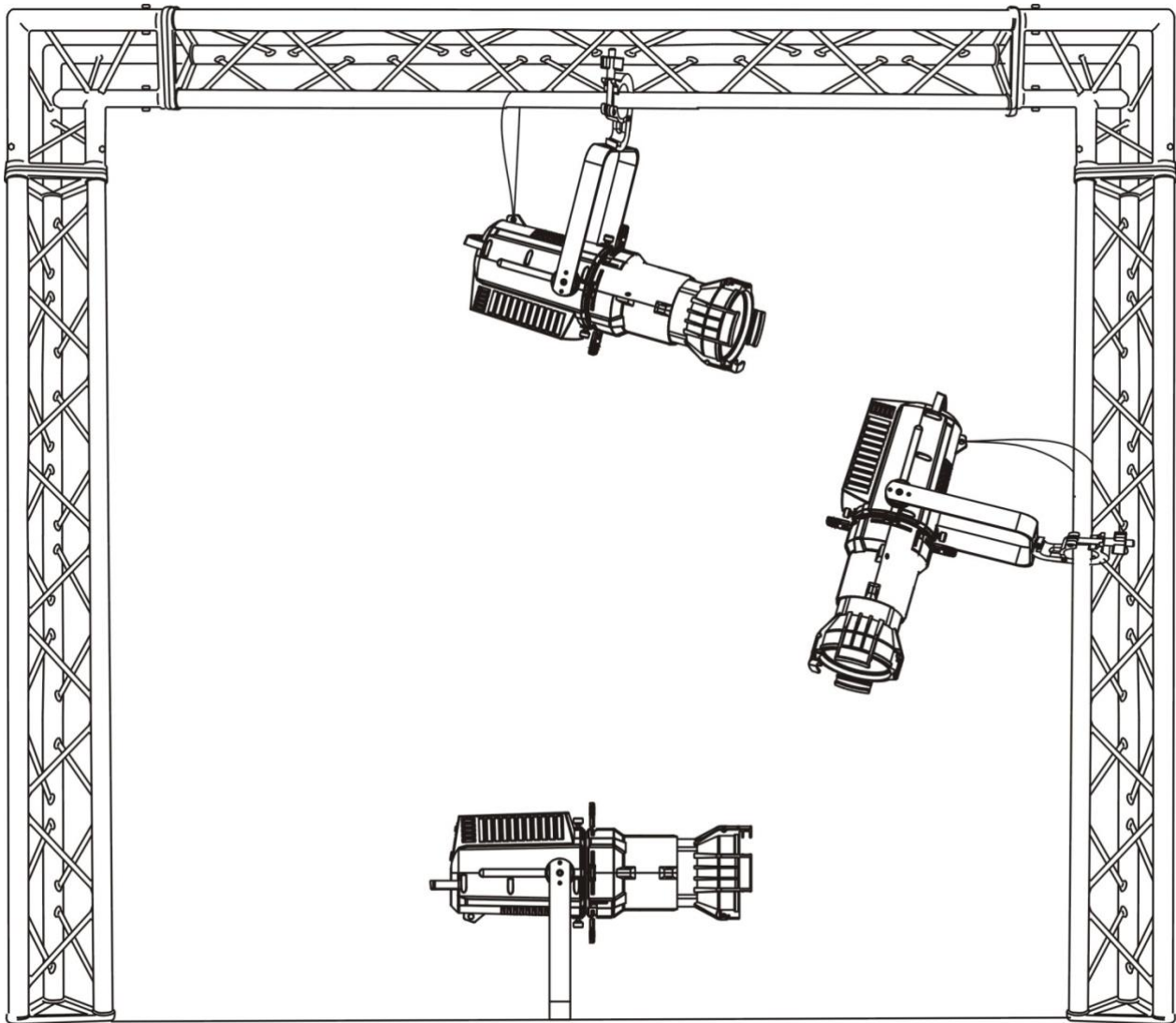
- Fix the clamp to the bracket by tightening the M12 nut and bolt to the bracket through the $\Phi 13$ hole in the middle of the bracket.
- Insert the quick-lock fasteners of the first Omega holder into the respective holes on the bottom of the device. Tighten the quick-lock fasteners fully clockwise.
- Install the second Omega holder.
- Pull the safety cable through the holes on the bottom of the base and over the trussing system or another suitable rigging point. Insert the end into the carabiner and tighten the safety screw.



Important:

This step is very important to ensure safe rigging of the fixture.

5.3. RIGGING DRAWINGS



- Be sure this fixture is kept at least 0.5m away from any flammable materials (decoration etc.).
- Always use and install the supplied safety cable as a safety measure to prevent accidental damage and/or injury in the event the clamp fails.

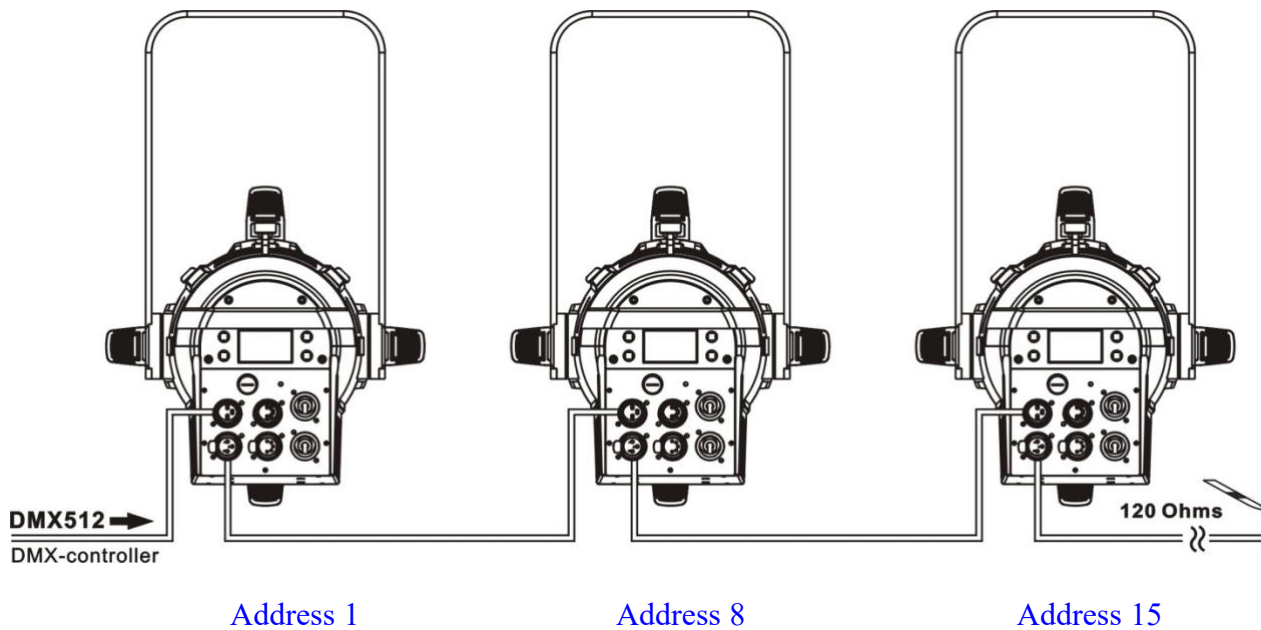
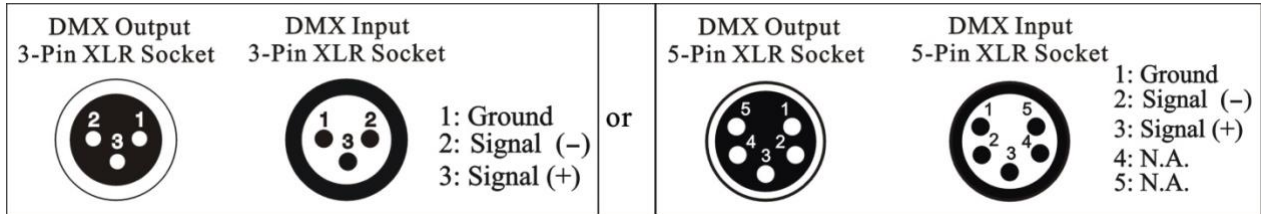


Important:

Overhead rigging requires extensive experience, including (but not limited to) calculating working load limits, specifying installation/ rigging materials, and periodic safety inspection of all installation material as well as the device. If you lack these qualifications, do not attempt the rigging of this device yourself. Improper installation/ rigging can result in serious bodily injury.

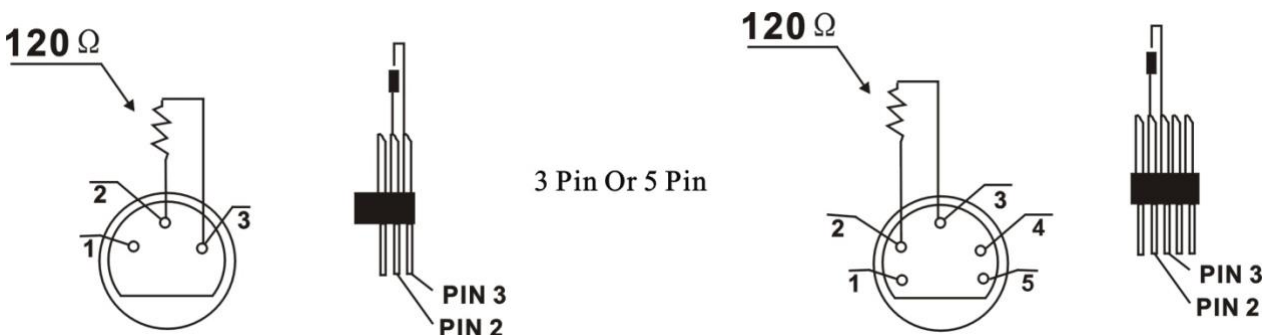
6. DMX-512 CONTROL CONNECTION

Connect the provided male side of the XLR cable to the female XLR output of your controller and the female side of the XLR cable to the male XLR input of the device. You can connect multiple devices together in a serial fashion. The cable needed should be two core, screened cable with XLR input and output connectors. Please refer to the diagram below.



7. DMX-512 CONNECTION WITH DMX TERMINATOR

For installations where the DMX cable has to run over a long distance or is in an electrically noisy environment, such as in a discotheque, it is recommended to use a DMX terminator. This helps in preventing corruption of the digital control signal caused by electrical noise. The DMX terminator is an XLR plug with a 120 Ω resistor connected between pins 2 and 3, which is then plugged into the output (female) XLR socket of the last fixture in the chain. Please see illustrations below.



8. DEVICE DMX START ADDRESS SELECTION

All fixtures should be given a DMX starting address when using a DMX signal, so that the correct fixture responds to the correct control signals. This digital starting address is the channel number from which the fixture starts to “listen” to the digital control information sent out from the DMX controller. The allocation of this starting address is achieved by setting the correct address number on the display located on the base of the device.

You can set the same starting address for all fixtures or a group of fixtures, or set different addresses for each fixture individually.









If you set the same address on all devices, all the devices will start to “listen” to the same control signal from the same channel number. In other words, changing the settings of one channel will affect all the fixtures simultaneously.

If you set a different address, each unit will start to “listen” to the channel number you have set, based on the quantity of control channels of the unit. That means changing the settings of one channel will affect only the selected device.

In the case of the fixture, in 7 channel mode, you should set the starting address of the first unit to 1, the second unit to 8 (7 + 1), the third unit to 15 (7+ 8), and so on.

9. DISPLAY

The Display offers several features: you can set the starting address, run the pre-programmed program or reset the device.

The main menu is accessed by pressing the  -button until the display starts flashing. Browse through the menu by pressing the  -button,  -button . Press the Enter-button in order to select the desired menu. You can change the selection by pressing the  -button,  -button. Confirm every selection by pressing the  -button. You can leave every mode by pressing the  -button. After accessing the edit mode, the unit will automatically exit to the main menu after 15 seconds from the last button press. When the unit is powered on, if no data signal is connected after 1 minute, then the display will switch off automatically. The Display does not need external power to operate. Hold down the  -button for 10 seconds and the Display will turn on by using the unit's battery built in battery.

Default settings shaded

FuncMode	Address ValuDisp SetSlave AutoProg	001~AXXX All Ch.... Slave1,Slave2,Slave3 Master / Alone		DMX address setting DMX value display Slave setting Auto program	
Info	TimeInfo	Cur Time TotalHrs Last Hrs TimePass Clr Last	XXXX(Hours) XXXX(Hours) XXXX(Hours) Password=XXX ON/OFF	Owe on running time Fixture running time Fixture Last times clear Timer Password 038 Clear Fixture Last time	
	TempInfo	HeadTemp	XXX°C/°F	Temperature in the head	
	Soft Ver	1.1.0.....		Software version	
Persnal	Stat Set	Addr DMX NoDMXSta	ON/OFF CloShut/Hold/Auto	Add. via DMX Auto run if no DMX	
	Serv Set	Password RDM UID	Password=XXX XXXXXX	Service Password“=050” RDM UID Code	
	Disp Set	Off Time	02~60m 05m	Display shutoff time	
		Key Lock	ON/OFF	Key Lock	
	Temp C/F	Cels Fahren		Temperature switch between °C/°F	
	Man Hold	ON/OFF		Man Hold	
	Refresh	900~1200~1500, 2500,4000,5000,10K,15K,20K,25K (HZ)		Refresh	
	Gamma	2.0,2.2,2.4,2.6,2.8		Gamma	
ResetDef	ON OFF		Restore factory set.		
ManCtrl	ManCntrl	Warm... : DiMo...	Warm =XXX : DiMo=XXX	Fine adjustment of the lamp	
	Calibrat	password	=50	Password “050”	
		Warm	Warm =xxx	Calibrate and adjust the effects to standard/right position	
Mode Set	UserMode	2CH 5CH 7CH		UserMode	
Dimming	DimModes	Standar Stage TV Archite Theatre		DimModes	
EditProg	Sel Prog	ProPart1 ProPart2 ProPart3	Prog 1 ~ 10 Prog 1 ~ 10 Prog 1 ~ 10	Select programs to be run	
	EditProg	Prog 1 : Prog 10	ProgTest EdStep01 ~EdStep64	T01SCxxx S01SCxxx S64SCxxx	Testing program Program in loop Save and exit
	EditScen	Scen001 ~ Scen250	White,..... HoldTime InByOut	White =xxx... ON/OFF	Save and automatically return manual scenes edit
	RecCntrl	XX~XX		Automat. scenes rec	

9.1. FUNCTION

9.1.1. Address

With this function, you can adjust the desired DMX-address via the Display.

1. Access the main menu.
2. Tap the <Up/Down> button until “Address” is displayed.
3. Press< ENTER>, the display will show “Address” .
4. Tap the <Up/Down> button, the display will show “A001~AXXX” .
5. Press< ENTER> to confirm or press <MODE/ESC> to return to the main menu.

9.1.2. Value Disp

With this function you can display the DMX 512 value of each channel. The display automatically shows the channel with a changing value.

1. Access the main menu.
2. Tap the <Up/Down> button until “Value Disp” is displayed.
3. Press< ENTER>, the display will show “Value Disp” .
4. Tap the <Up/Down> button, choose each channel.
5. Press< ENTER> to confirm or press <MODE/ESC> to return to the main menu.

9.1.3. Set Slave

With this function, you can define the device as slave.

1. Access the main menu.
2. Tap the <Up/Down> button until “Set Slave” is displayed.
3. Press< ENTER>, the display will show “Set Slave” .
4. Tap the <Up/Down> button, the display will show “Slave1” , “Slave2” , “Slave3” .
5. Press< ENTER> to confirm or press <MODE/ESC> to return to the main menu.

9.1.4. Auto Program

With this function, you can run the internal program. You can select the desired program under “**Select program**” . You can set the number of steps under “**Edit program**” . You can edit the individual scenes under “**Edit scenes**” . With this function, you can run the individual scenes either automatically, i. e. with the adjusted Step-Time.

1. Access the main menu.
2. Tap the <Up/Down> button until “Auto Program” is displayed.
3. Press< ENTER>, the display will show “Auto Program” .
4. Tap the <Up/Down> button, the display will show “Master”, “Alone” .
5. Press< ENTER> to confirm or press <MODE/ESC> to return to the main menu.

9.2. INFO

9.2.1. Time info

Cur Time

With this function, you can display the temporary running time of the device from the last power on. The display shows “XXXX” , “XXXX” stands for the number of hours. The counter is reset after turning the device off.

1. Tap <MODE/ESC> button, access the main menu, Tap the <Up/Down> button until

“Info” is displayed. Press < ENTER>, the display will show “Info”. Tap the <Up/Down> button until the display will show “Time Info”. Press < ENTER>, the display will show “Time Info” .

2. Press <Up/Down>, the display will show “Cur Time” .
3. Press < ENTER>, the display will show “Cur Time” .
4. The display will show “XXXX” (Hours).
5. Press <ENTER> to confirm or press <MODE/ESC> to return to the main menu.

Total Hrs

With this function, you can display the running time of the device. The display shows “XXXX” , “XXXX” stands for the number of hours.

1. Tap <MODE/ESC> button, access the main menu, Tap the <Up/Down> button until “Info” is displayed. Press < ENTER>, the display will show “Info”. Tap the <Up/Down> button until the display will show “Time Info” . Press < ENTER>, the display will show “Time Info” .
2. Press <Up/Down>, the display will show “Total Hrs” .
3. Press < ENTER>, the display will show “Total Hrs” .
4. The display will show “XXXX” (Hours).
5. Press <ENTER> to confirm or press <MODE/ESC> to return to the main menu.

Last Hrs

With this function, you can display last the running time of the device. The display shows “XXXX” , “XXXX” stands for the number of hours.

1. Tap <MODE/ESC> button, access the main menu, Tap the <Up/Down> button until “Info” is displayed. Press < ENTER>, the display will show “Info”. Tap the <Up/Down> button until the display will show “Time Info” . Press < ENTER>, the display will show “Time Info” .
2. Press <Up/Down>, the display will show “Last Hrs” .
3. Press < ENTER>, the display will show “Last Hrs” .
4. The display will show “XXXX” (Hours) .
5. Press <ENTER> to confirm or press <MODE/ESC> to return to the main menu.

Time Pass

With this function, you can display the timer password.

1. Tap <MODE/ESC> button, access the main menu, Tap the <Up/Down> button until “Info” is displayed. Press < ENTER>, the display will show “Info”. Tap the <Up/Down> button until the display will show “Time Info” . Press < ENTER>, the display will show “Time Info” .
2. Press <Up/Down>, the display will show “Time Pass” .
3. Press < ENTER>, the display will show “Time Pass” .
4. The time password is 038.
5. Press <ENTER> to confirm or press <MODE/ESC> to return to the main menu.

Clr Last

With this function, you can clear last run time of the fixture. The display shows “ON” or “OFF”, Press “Enter” to confirm.

1. Tap <MODE/ESC> button, access the main menu, Tap the <Up/Down> button until “Info” is displayed. Press< ENTER>, the display will show “Info”. Tap the <Up/Down> button until the display will show “Time Info”. Press< ENTER>, the display will show “Time Info” .
2. Press <Up/Down>, the display will show “Clr Last” .
3. At “L-Timer Password” menu input right password, Press< ENTER>, the display will show “Clr Last” .
4. The display show “OFF”, Press <Up/Down>, the display will show “ON” .
5. Press <ENTER> to confirm or press <MODE/ESC> to return to the main menu.

9.2.2. Temp Info

Head Temp

With this function you can display the temperature on the display board of the base (near CMY-filter) in Celsius.

1. Tap <MODE/ESC> button, access the main menu, Tap the <Up/Down> button until “Info” is displayed. Press< ENTER>, the display will show “Info”. Tap the <Up/Down> button until “Temp Info” is displayed. Press< ENTER>, the display will show “Temp Info” .
2. Press <Up/Down>, the display will show “Head Temp” .
3. Press< ENTER>, the display will show “Head Temp” .
4. The display show “XXX °C/ °F” .
5. Press <ENTER> to confirm or press <MODE/ESC> to return to the main menu.

9.2.3. Soft Ver

With this function, you can display the software version of the device.

1. Tap <MODE/ESC> button, access the main menu, Tap the <Up/Down> button until “Info” is displayed. Press< ENTER>, the display will show “Info” .
2. Press <Up/Down>, the display will show “Soft Ver” .
3. Press< ENTER>, the display will show “Soft Ver” .
4. The display show “1.1.0.....” .
5. Press <ENTER> to confirm or press <MODE/ESC> to return to the main menu.

9.3. PERSONAL

9.3.1. Stat Set

Addr DMX

With this function, you can adjust the desired DMX-address via an external controller.

1. Tap <MODE/ESC> button, access the main menu, Tap the <Up/Down> button until “Personal” is displayed. Press< ENTER>, the display will show “Personal” . Tap the <Up/Down> button until the display will show “Stat set” . Press< ENTER>, the display will show “Stat set” .
2. Press <Up/Down>, the display will show “Addr DMX” .
3. Press< ENTER>, the display will show “Addr DMX” .
4. The display show “ON”, Press <Up/Down>, the display will show “OFF” .
5. Press <ENTER> to confirm or press <MODE/ESC> to return to the main menu.

No DMX Sta

With this function, when the drive is not DMX signal, it runs automatism, close, hold and music, the default is hold.

1. Tap <MODE/ESC> button, access the main menu, Tap the <Up/Down> button until “Personal” is displayed. Press< ENTER>, the display will show “Personal” . Tap the <Up/Down> button until the display will show “Stat set” . Press< ENTER>, the display will show “Stat set” .
2. Press <Up/Down>, the display will show “No DMX Sta” .
3. Press< ENTER>, the display will show “No DMX Sta” .
4. The display show“Hold”, Press <Up/Down>, the display will show“CloShut”, “Hold”, “Auto” .
5. Press <ENTER> to confirm or press <MODE/ESC> to return to the main menu.

9.3.2. Serv Set

Password

The Password for this function is “050” .

RDM UID

With this function you can call up various submenus via RDM.

1. Tap <MODE/ESC> button, access the main menu, Tap the <Up/Down> button until “Personal” is displayed. Press<ENTER>, the display will show “Personal” . Tap the <Up/Down> button until the display will show“Serv Set”. Press<ENTER>. the display will show “Serv Set” .
2. Press <Up/Down>, the display will show “RDM UID” .
3. Press< ENTER>, the display will show “RDM UID” .
4. The display show “XXXX” .
5. Press <ENTER> to confirm or press <MODE/ESC> to return to the main menu.

9.3.3. Disp Set

Off Time

With this function you can shut off the LCD display after 2 to 60 minutes.The default is 5 minutes.

1. Tap <MODE/ESC> button, access the main menu, Tap the <Up/Down> button until “Personal” is displayed. Press<ENTER>, the display will show “Personal” . Tap the <Up/Down> button until the display will show“Disp Set”. Press<ENTER>, the display will show “Disp Set” .
2. Press <Up/Down>, the display will show “Off Time” .
3. Press< ENTER>, the display will show “Off Time” .
4. The display show “05m”, Press <Up/Down>, the display will show “02~60m” .
5. Press <ENTER> to confirm or press <MODE/ESC> to return to the main menu.

Key Lock

With this function you can activate the automatic key lock function. If this function is activated, the keys will be locked automatically after exiting the edit mode for 15 seconds. keeping press the <MODE/ESC> key for 3seconds if you do not need this function.

1. Tap <MODE/ESC> button, access the main menu, Tap the <Up/Down> button until “Personal” is displayed. Press < ENTER>, the display will show “Personal” . Tap the

<Up/Down> button until the display will show “Disp Set”. Press < ENTER>, the display will show “Disp Set” .

2. Press <Up/Down>, the display will show “Key Lock” .
3. Press < ENTER>, the display will show “Key Lock” .
4. The display show “OFF”, Press <Up/Down>, the display will show “ON” .
5. Press <ENTER> to confirm or press <MODE/ESC> to return to the main menu.

9.3.4. Temp C/F

With this function you can display the temperature in Celsius or Fahrenheit.

1. Tap <MODE/ESC> button, access the main menu, Tap the <Up/Down> button until “Personal” is displayed. Press <ENTER>, the display will show “Personal” .
2. Press <Up/Down>, the display will show “Temp C/ F” .
3. Press < ENTER>, the display will show “Temp C/F” .
4. The display show “Celsius”, Press <Up/Down>, the display will show “Fahrenheit” .
5. Press <ENTER> to confirm or press <MODE/ESC> to return to the main menu.

9.3.5. Man Hold

With this function you can display man hold.

1. Tap <MODE/ESC> button, access the main menu, Tap the <Up/Down> button until “Personal” is displayed. Press <ENTER>, the display will show “Personal” .
2. Press <Up/Down>, the display will show “Man Hold” .
3. Press < ENTER>, the display will show “Man Hold” .
4. The display show “OFF”, Press <Up/Down>, the display will show “ON” .
5. Press <ENTER> to confirm or press <MODE/ESC> to return to the main menu.

9.3.6. Refresh

1. Tap <MODE/ESC> button, access the main menu, Tap the <Up/Down> button until “Personal” is displayed. Press <ENTER>, the display will show “Personal” .
2. Press <Up/Down>, the display will show “Refresh” .
3. Press < ENTER>, the display will show “Refresh” .
4. The display shows “ 1200 ”, Press <Up/Down> , the display will show “900~1200~1500”, “2500”, “4000”, “5000”, “10K”, “15K”, “20K”, “25K” .
5. Press <ENTER> to confirm or press <MODE/ESC> to return to the main menu.

9.3.7. Gamma

1. Tap <MODE/ESC> button, access the main menu, Tap the <Up/Down> button until “Personal” is displayed. Press < ENTER>, the display will show “Personal” .
2. Press <Up/Down>, the display will show “Gamma” .
3. Press < ENTER>, the display will show “Gamma” .
4. The display show “2.2”, Press <Up/Down>, the display will show “2.0”, “2.2” , “2.4” , “2.6” , “2.8” .
5. Press <ENTER> to confirm or press <MODE/ESC> to return to the main menu.

9.3.8. Reset Def

With this function, you can select restore factory set for ON or OFF, the default is OFF.

1. Tap <MODE/ESC> button, access the main menu, Tap the <Up/Down> button until

- “Personal” is displayed. Press< ENTER>, the display will show “Personal” .
- 2. Press <Up/Down>, the display will show “Reset Def” .
- 3. Press< ENTER>, the display will show “Reset Def” .
- 4. The display show “OFF”, Press <Up/Down>, the display will show “ON” .
- 5. Press <ENTER> to confirm or press <MODE/ESC> to return to the main menu.

9.4. MANCTRL

9.4.1. Man Cntrl

When set to Manual Mode, fixture will be back to factory settings. If want to adjust brightness, can adjust by shutter and dimming channel, channel value is 0-255. Other functions can be set according to user's real need.

1. Tap <MODE/ESC>button, access the main menu, Tap the <Up/Down>button until “ManCtrl” is displayed. Press< ENTER>, the display will show “ManCtrl” .
2. Press <Up/Down>, the display will show “Man Cntrl” .
3. Press< ENTER>, the display will show “Man Cntrl” .
4. The display show “Warm =XXX: DiMo=XXX” .
5. Press <ENTER> to confirm or press <MODE/ESC> to return to the main menu.

9.4.2. Calibrat

With this function, you can calibrate and adjust the effect wheels to their correct positions. The password of calibrate values is 050.

1. Tap <MODE/ESC> button, access the main menu, Tap the <Up/Down> button until “ManCtrl” is displayed. Press ENTER, the display will show “ManCtrl” .
2. Press <Up/Down>, the display will show “Calibrat” .
3. Press< ENTER>, the display will show “Calibrat” .
4. The display show “Warm=XXX” .
5. Press <ENTER> to confirm or press <MODE/ESC> to return to the main menu.

9.5. MODE SET

9.5.1. User Mode

With this function, you can create user defined channel orders.

1. Tap <MODE/ESC> button, access the main menu, Tap the <Up/Down> button until “Mode Set” is displayed. Press <ENTER>, the display will show “Mode Set” .
2. Press <Up/Down>, the display will show “User Mode” .
3. Press< ENTER>, the display will show “User Mode” .
4. The display show “2CH”, Press <Up/Down> button, then you can choose “2CH”, “5CH”, “7CH” .
5. Press <ENTER> to confirm or press <MODE/ESC> to return to the main menu.

9.6. DIMMING

Dim Modes

With this function, you can display the dimming modes.

1. Tap <MODE/ESC> button, access the main menu, Tap the <Up/Down> button until “Dimming” is displayed. Press <ENTER>, the display will show “Dimming” .

2. Press <Up/Down>, the display will show “Dim Modes” .
3. Press< ENTER>, the display will show “Dim Modes” .
4. The display show “Standar”, Press <Up/Down> button, then you can choose “Stage”, “TV”, “Archite”, “Theatre” .
5. Press <ENTER> to confirm or press <MODE/ESC> to return to the main menu.

9.7. EDIT PROG

1. Tap <MODE/ESC> button, access the main menu, Tap the <Up/Down> button until “Edit Prog” is displayed. Press<ENTER>, the display will show “Edit Prog” .
2. The display show “Sel Prog”, Press <Up/Down>, the display will show “Edit Prog”, “Edit Scen”, “Rec Cntrl” .
3. Press <ENTER> to confirm or press <MODE/ESC> to return to the main menu.

Run the auto program: A master fixture can output to three different program signals to the slave fixture to operate. It means the host will send cyclically in the following orders (The host will keep operating the program of Part 1) Then the slave fixture will make the selectively receiving according to its own set.



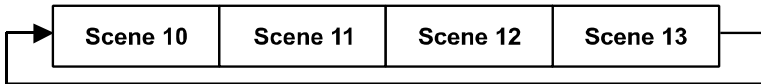
1. If the slave fixture chooses Run For Slave 1 from the menu of 1-3, then it will receive the part 1's automatic program from link, in the same way, when the slave fixture chooses Run For Slave 2, then it will receive the part 2's automatic program from link.
2. Enter the menu of 1-3 Function Mode---Set To Slave, Here to set machine operate which part of the program during the host-slave connection
3. Enter the menu of 1-4, 1-5 Function Mode---Set To Master
4. Enter the menu of 8-1 Edit Program---Auto Program Part1. The host outputs three groups driven program---Part1, Part2, Part3(Part1 program runs the same effect as the host)
5. Enter the menu of 8-2 Edit Program---Edit Program. Edit the program's connection, connect the scene in order
6. The editor of the scene, there are as many as 250 scenario editors, and every scene can have a program connection of 10.

Note:

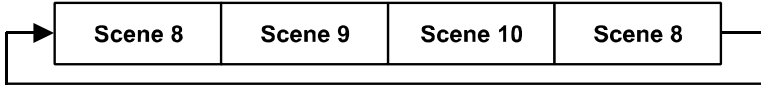
Part 2, Part 3 repeat in accordance with the Part1's repeat. For example: When Part 1 uses Program 2, Part 2 uses Program 4, Part 3 uses Program 6, Assume: Program 2 includes scene of 10, 11, 12, 13; Program 4 includes scene of 8, 9, 10; Program 6 includes scene of 12, 13, 14, 15; Then it will run as below.

Example:

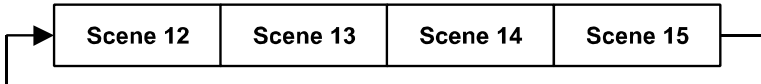
Part 1:



Part 2:



Part 3:

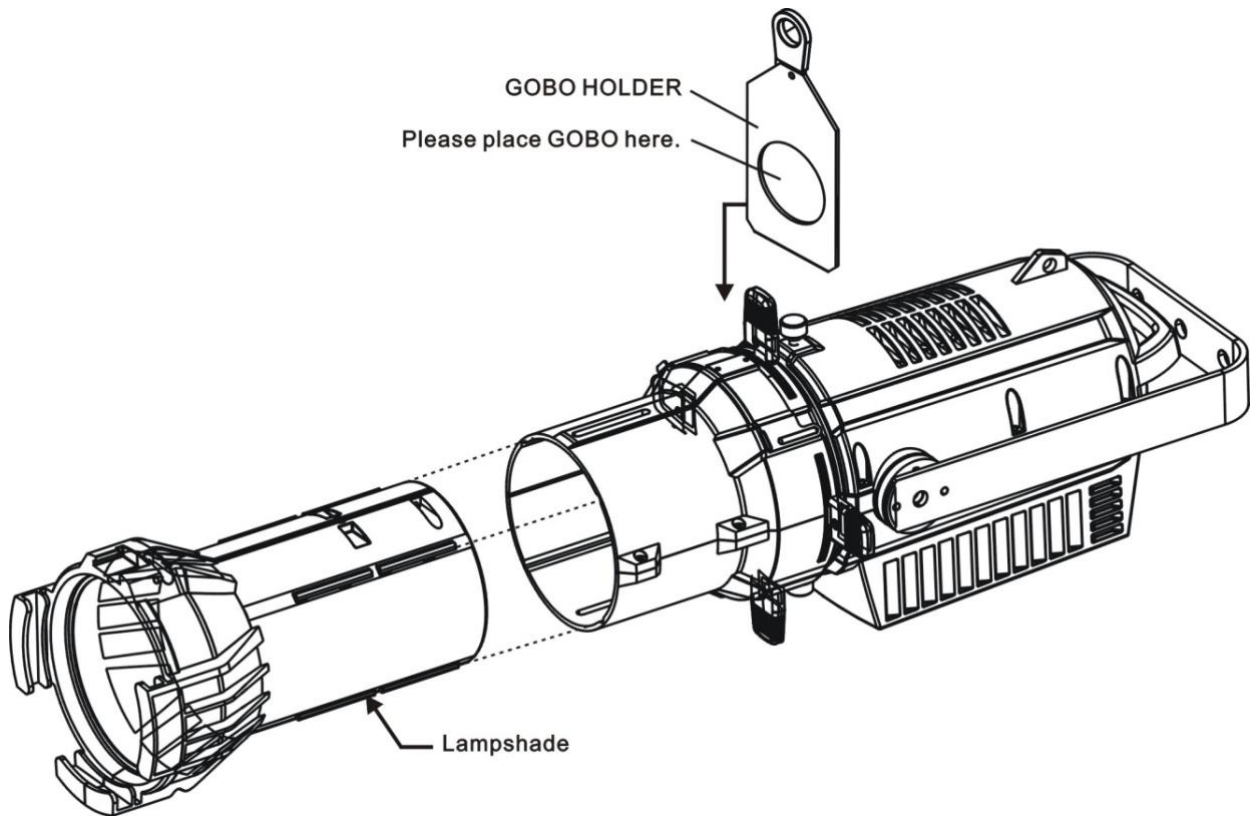


10. DMX PROTOCOL

DMX channel's functions and their values (2\5\7 DMX channels):						
Mode/Channel			Value	Function	Default Dmx	Time/Speed
2CH	5CH	7CH				
NA	1	1		Shutter, strobe:	32	
			0-31	Led trun off		
			32-63	Led turn on		
			64-95	Strobe effect slow to fast		1-25HZ
			96-127	Led turn on		
			128-159	Pulse-effect in sequences		1-25HZ
			160-191	Led turn on		
			192-223	Random strobe effect slow to fast		
			224-255	Led turn on		
1	2	2		Dimmer intensity:	0	
			0-255	Intensity 0 to 100%		
NA	NA	3		Fine Dimmer intensity:	0	
			0-255	Dimmer intensity fine		
NA	3	4		Dim Curves:	0	
			0-20	Standard		
			21-40	Stage		
			41-60	TV		
			61-80	Architectural		
			81-100	Theatre		
			101-255	Default to Unit Curve Setting		

Mode/Channel			Value	Function	Default Dmx	Time/Speed
2CH	5CH	7CH				
2	4	5		Special Control:	0	
			0-79	Normal		
			80-84	No function		
			85-87	No function		
			88-90	No function		
			91-93	No function		
			94-96	No function		
			97-99	No function		
			100-119	Internal program 1(secne1~8 of EEPROM)		
			120-139	Internal program 2(secne9~16 of EEPROM)		
			140-159	Internal program 3(secne17~24 of EEPROM)		
			160-179	Internal program 4(secne25~32 of EEPROM)		
			180-199	Internal program 5(secne33~40 of EEPROM)		
			200-219	Internal program 6(secne41~48 of EEPROM)		
220-239	Internal program 7(secne49~56 of EEPROM)					
240-255	No function					
NA	5	6		Warm White LED 1 :	255	
			0-255	Warm White (0-Black , 255-100% White)		
NA	NA	7		Warm White LED Fine 1 :	0	
			0-255	Fine control for Warm White adjustment		

11. OPTIONS



12. CLEANING AND MAINTENANCE

The following points have to be considered during inspection:

- 1) All screws for installing the devices or parts of the device have to be tightly connected and must not be corroded.
- 2) There must not be any deformations to the housing, lenses, rigging and installation points (ceiling, suspension, trussing).
- 3) Motorized parts must not show any signs of wear and must move smoothly without issue.
- 4) The power supply cables must not show any damage, material fatigue or sediment.

Further instructions depending on the installation location and usage have to be adhered to by a qualified installer and any safety concerns have to be removed.



CAUTION!

Disconnect from mains before starting maintenance operation.

In order to ensure the device remains in good condition and does not fail prematurely, we suggest regular maintenance.

- 1) Clean the inside and outside lens each week to avoid loss of output due to accumulation of dust/ dirt on the lens.
- 2) Clean the fans each week to ensure maximum airflow and efficient thermal cooling. This will ensure the light source is operated in the best possible condition.
- 3) A detailed electrical check by an approved electrician every quarter to make sure that the circuit contacts are in good condition. This will prevent poor circuit contacts and the resultant overheating.

We recommend frequent cleaning of the device. Please use a moist, lint- free cloth. Never use alcohol or solvents.

Please refer to the instructions under “Installation instructions” .

Should you need any spare parts, please order genuine parts from your local dealer.