

MQ 50

2 WAY COMPACT SPEAKER

DESCRIPTION

It is a two-way speaker with 5" woofer and waveguide-loaded dome tweeter to ensure intelligibility and correct dispersion of the sound over a wide angle of coverage. The built-in support makes the MQ50 easy to install and enables close fitting to the wall, limiting its protrusion.

The exclusive attachment system designed for the MQ50 model allows the installer to fit the attachment bracket to the wall and make the electrical connections during the pre-installation phase; subsequently, when all the works are completed, the MQ50 is positioned, oriented, and connected with a simple "click", without the need for tools.



FEATURES

- Two way Bass refl ex speaker for music reproduction
- Speaker: woofer 5" - tweeter 0,75" dome
- Power/RMS: 120/60 W Bypass
- Crossover frequencies: 4500 Hz, 12/12 dB/oct



TECHNICAL SPECIFICATIONS

Acoustical specifications	Frequency Response (-10dB):	70 Hz ÷ 20000 Hz
	Max SPL @ 1m:	110 dB
	Horizontal coverage angle:	120°
	Vertical coverage angle:	100°
	System Sensitivity:	89 dB
Power section	Nominal Impedance (ohm):	16 ohm
	Power Handling:	60 W RMS
	Peak Power Handling:	240 W PEAK
	Recommended Amplifier:	120 W
	Crossover Frequencies:	4500 Hz
Transducers	Dome Tweeter:	0.75"
	Woofers:	5.0"
Input/Output section	Input connectors:	Euroblock
	Output connectors:	Euroblock
	Power selection 1 (100 V):	30 W - 333 ohm
	Power selection 2 (100 V):	20 W - 500 ohm
	Power selection 3 (100 V):	10 W - 1000 ohm
	Power selection 4 (100 V):	5 W - 2000 ohm
Standard compliance	CE marking:	Yes
Physical specifications	Cabinet/Case Material:	Plastic
	Hardware:	Wall mount bracket
	Grille:	Steel
	Color:	White
Size	Height:	245 mm / 9.65 inches
	Width:	165 mm / 6.5 inches
	Depth:	175 mm / 6.89 inches
	Weight:	2.63 kg / 5.8 lbs
Shipping informations	Package Height:	300 mm / 11.81 inches
	Package Width:	235 mm / 9.25 inches
	Package Depth:	220 mm / 8.66 inches
	Package Weight:	3.16 kg / 6.97 lbs

PART NUMBER

- **13000070**

MQ 50 B

Black

EAN 8024530005535

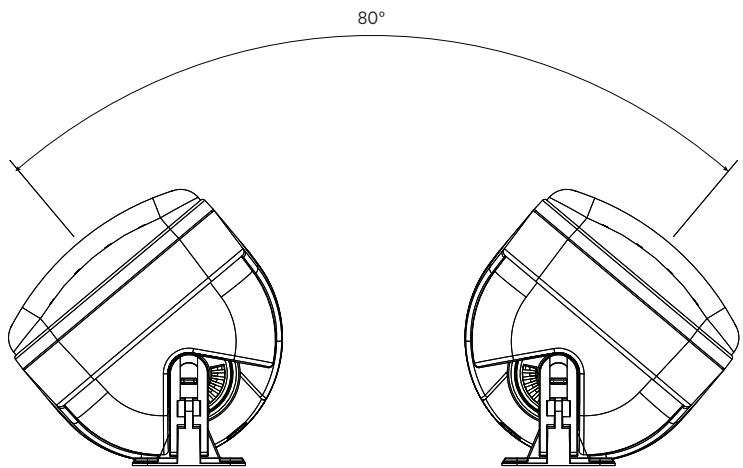
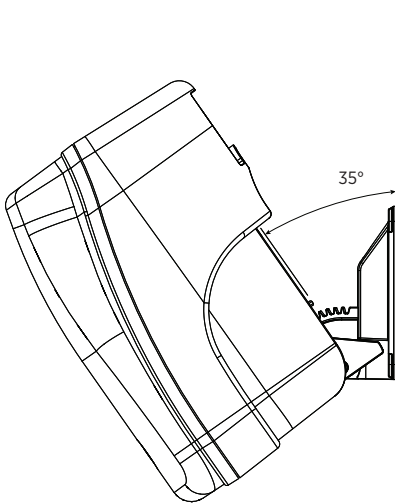
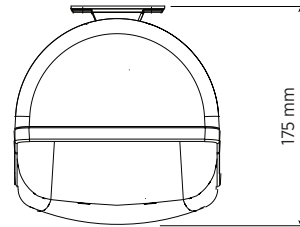
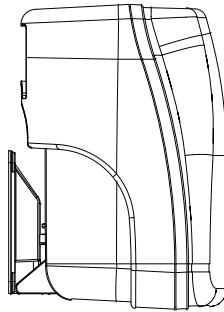
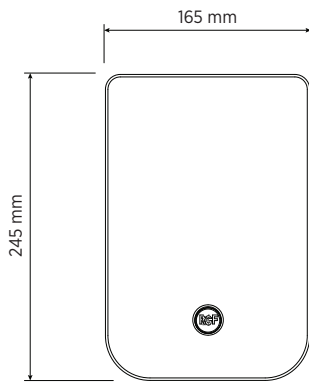
- **13000056**

MQ 50 W

White

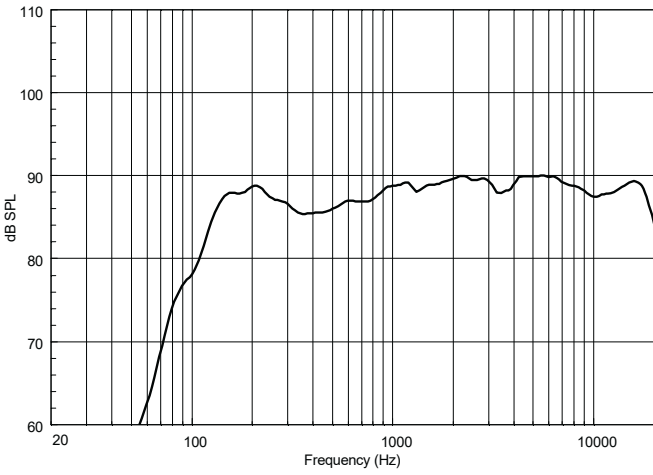
EAN 8024530005474

DRAWINGS

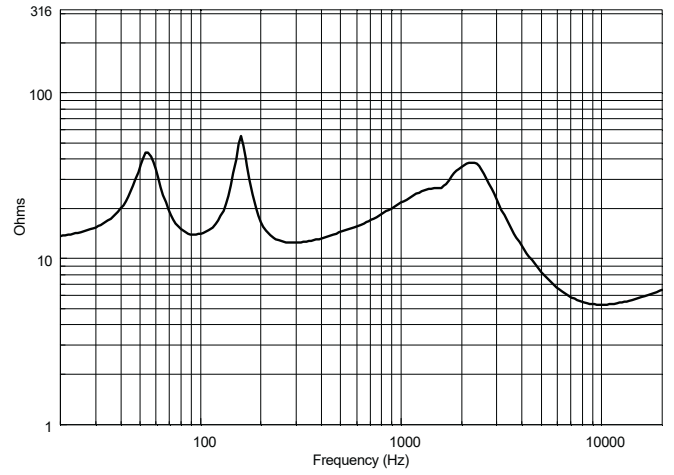




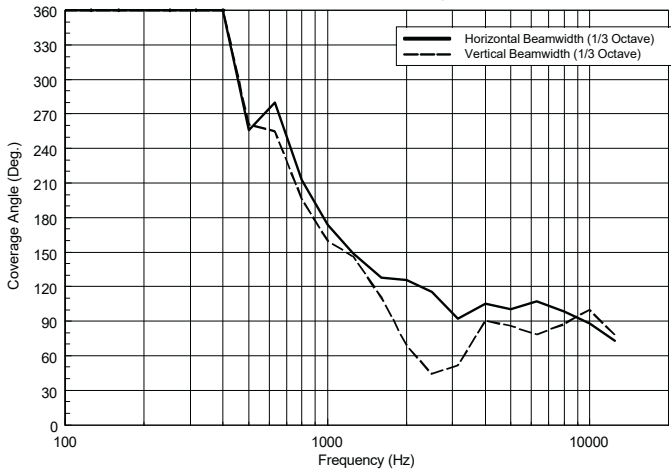
Response 1W/1m



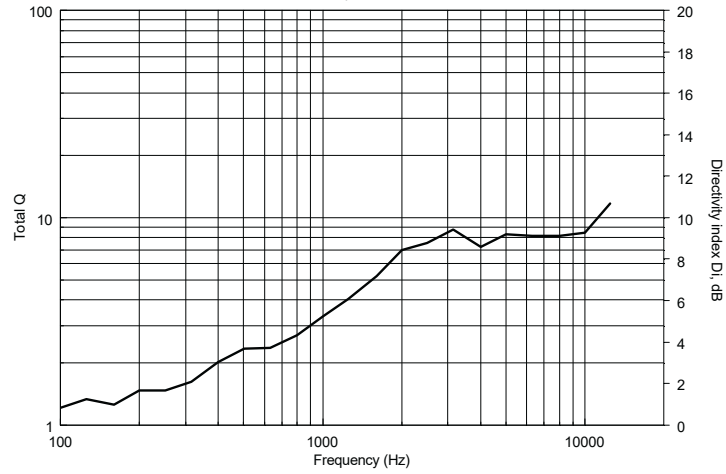
Impedance



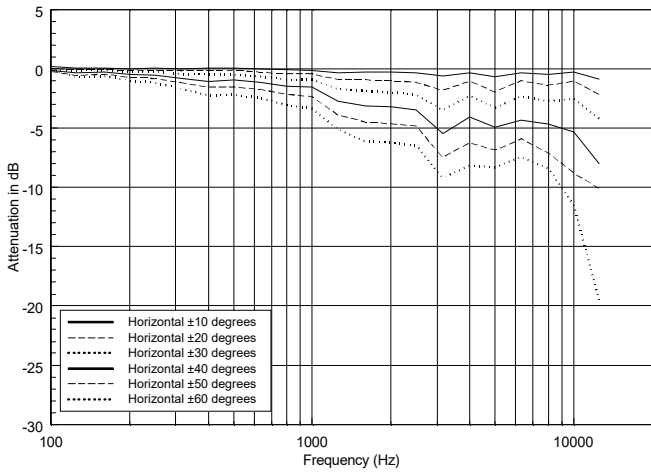
Beamwidth vs. Frequency



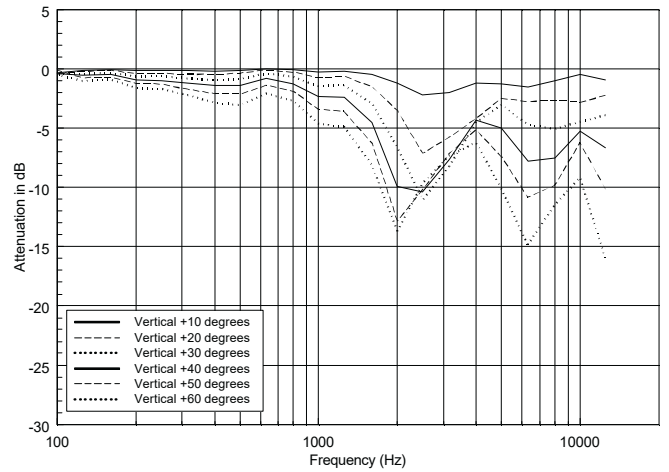
Directivity Index and Q



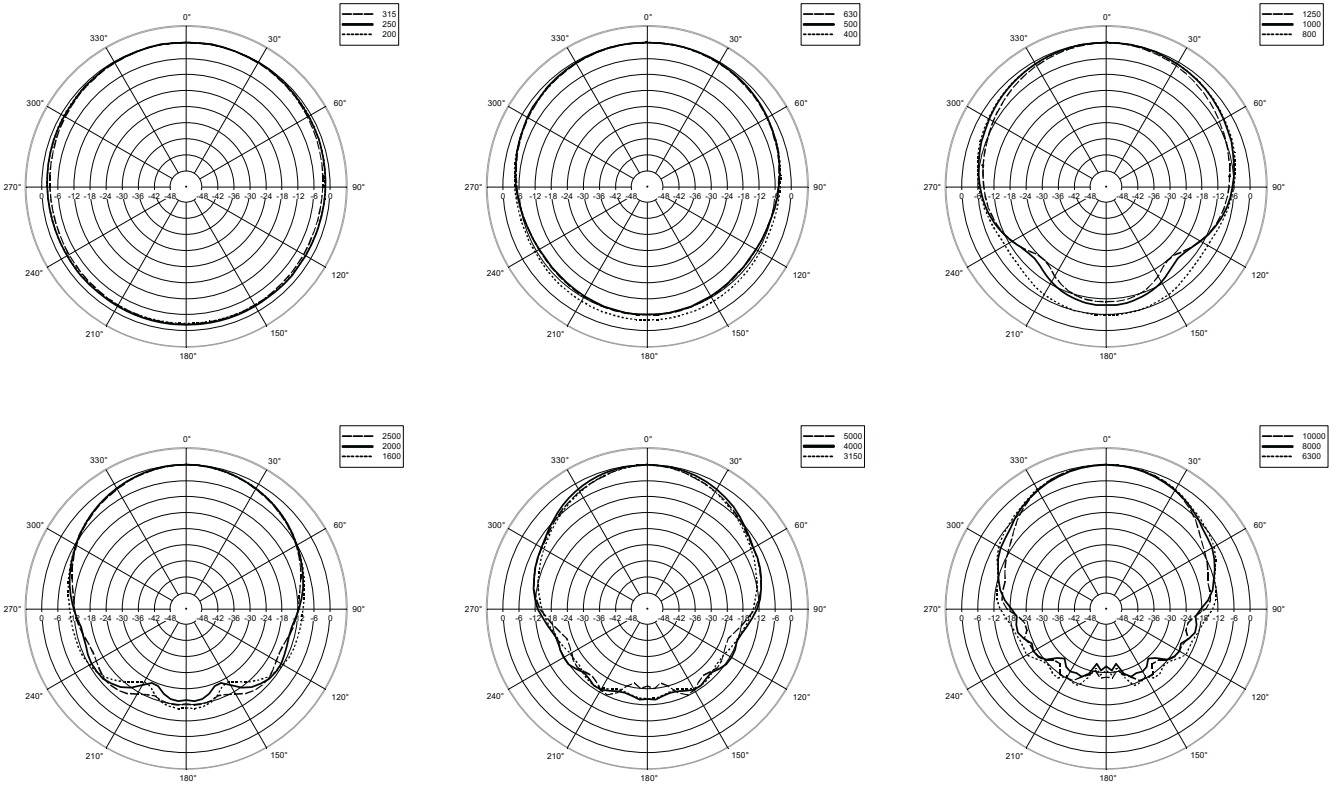
Normalized Horizontal off-axis Response



Normalized Vertical off-axis Response. Above the box



Horizontal 1/3 Polar Plot



Vertical 1/3 Polar Plot

