

TG V56c

Condenser Microphone



FEATURES

- Cardioid polar pattern
- Built-in lowcut filter
- Internal shock mount reduces handling noise
- Rugged construction
- 12 - 48 V phantom powering

APPLICATIONS

The TG V56c offers many possibilities for vocals on stages and in rehearsal rooms. With the fine resolution typical of condenser microphones, it is suitable for a huge variety of requirements and provides flexibility for a wide range of vocal types and music genres. The subtle treble boost of the TG V56c ensures a very transparent signal and the high-quality decoupling of the capsule minimises handling noises.

VERSION

TG V56c Condenser vocal microphone
(back electret), cardioid,
incl. microphone clamp Order # 707.279

TECHNICAL SPECIFICATIONS

Transducer type Condenser (back electret)
Operating principle Pressure gradient
Polar pattern Cardioid
Frequency response
Close miking 40 - 20,000 Hz
Distant miking
(measured at 1 m) 65 - 20,000 Hz
Open circuit voltage 3.3 mV/Pa (-49.5 dBV) \pm 2.5 dB
Nominal impedance 190 Ω
Nominal load impedance \geq 1 k Ω
Max. SPL at 1 kHz 140 dB SPL
S/N ratio 62 dB [CCIR, Q-Peak]
Equivalent SPL 22 dB [A, RMS]
Power supply Phantom power: 12 - 48 V
(recommended: 48 V)
Current consumption approx. 3 mA
Connection XLR 3-pin male
Dimensions:
Length 180 mm
Shaft diameter 26 mm
Head diameter 48 mm
Weight without cable 265 g

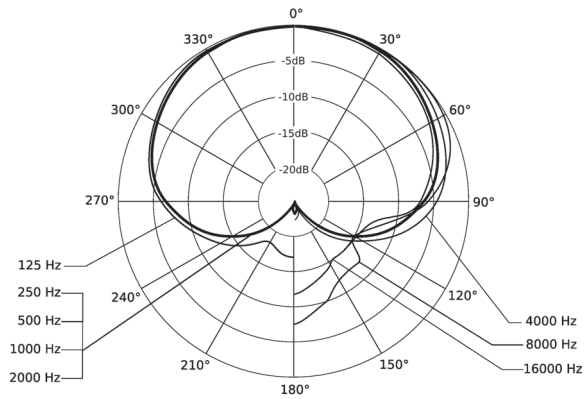
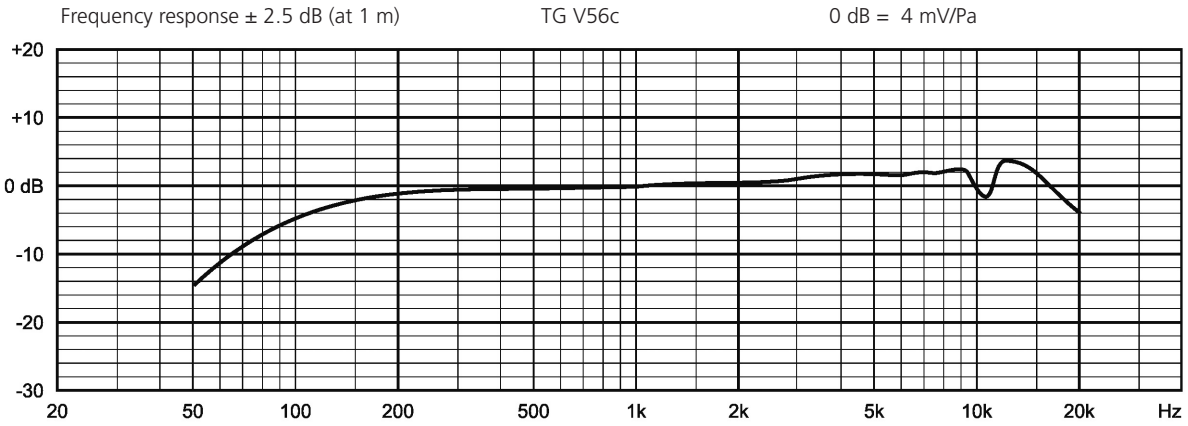
OPTIONAL ACCESSORIES

BMC 05 FM Standard microphone cable
XLR-XLR, length 5 m. Order # 434.787
BMC 10 FM Standard microphone cable
XLR-XLR, length 10 m. Order # 434.795
GST 400 Microphone stand, 3/8",
height 0.90 - 1.65 m,
with removable G 400 boom Order # 421.294
GST 500 Microphone stand, 3/8",
height 0.85 - 1.60 m,
with removable, telescopic
G 500 boom. Order # 406.252
ST 600 Stand, 3/8",
height 0.87 - 1.57 m Order # 421.316
MKV 8 Microphone clamp,
3/8" and 5/8" Order # 407.216

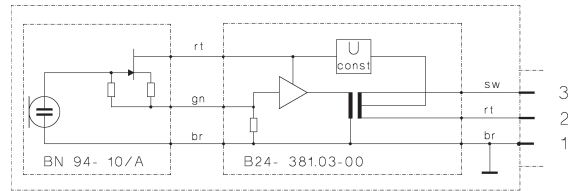
TG V56c

FREQUENCY RESPONSE & POLAR PATTERN

This polar pattern and frequency response curve (± 2.5 dB) correspond to a typical production sample for this microphone.



WIRING DIAGRAM



rt: rot/red/rouge
 sw: schwarz/black/noir
 br: braun/brown/brun
 gn: grün/green/vert