

# ST 12-SMA

## ACTIVE STAGE MONITOR

### DESCRIPTION

ST Series is a practical solution for high intelligibility speech and audio applications, covering infill or delay, production studios, presentations and high power music sound reinforcement with or without subwoofers. A key requirement for everyday audio systems, delivering simple 'plug and play' solutions, without compromising performance and portability. Legendary RCF transducer technology coupled with state of the art digital amplification topology resulting in a perfectly optimised loudspeaker series. The ST Series provides high end audio coverage even at extreme sound pressure levels, unmatched reliability and acoustic compatibility across the whole series.



### FEATURES

- 800 Watt Peak, 400 Wat RMS
- 129 dB max SPL
- 45 Hz - 20 kHz frequency response
- 12" Woofer, 2.5" voice coil
- 1" Driver, 1.4" voice coil

## TECHNICAL SPECIFICATIONS

<b>Acoustical specifications</b>	Frequency Response:	45 Hz ÷ 20000 Hz
	Max SPL @ 1m:	129 dB
	Horizontal coverage angle:	90°
	Vertical coverage angle:	60°
<b>Transducers</b>	Compression Driver:	1.0", 1.4" v.c
	Woofer:	12", 2.5" v.c
<b>Input/Output section</b>	Input signal:	bal/unbal
	Input connectors:	XRL, Jack
	Output connectors:	XLR
	Input sensitivity:	-2 dBu/+4 dBu
<b>Processor section</b>	Crossover Frequencies:	1400 Hz
	Protections:	RMS, HF
	Limiter:	Soft Limiter
	RDNet:	Yes
<b>Power section</b>	Total Power:	800 W Peak, 400 W RMS
	High frequencies:	200 W Peak, 100 W RMS
	Low frequencies:	600 W Peak, 300 W RMS
	Cooling:	Convection
	Connections:	VDE
<b>Standard compliance</b>	CE marking:	Yes
<b>Physical specifications</b>	Cabinet/Case Material:	Baltic birch plywood
	Handles:	1 side
	Pole mount/Cap:	Yes
	Grille:	Steel
	Color:	Black
<b>Size</b>	Height:	318 mm / 12.52 inches
	Width:	594 mm / 23.39 inches
	Depth:	400 mm / 15.75 inches
	Weight:	17.3 kg / 38.14 lbs
<b>Shipping informations</b>	Package Height:	604 mm / 23.78 inches
	Package Width:	352 mm / 13.86 inches
	Package Depth:	412 mm / 16.22 inches
	Package Weight:	19 kg / 41.89 lbs



**PART NUMBER**

- **13000461**

ST 12-SMA

115V

EAN 8024530012816

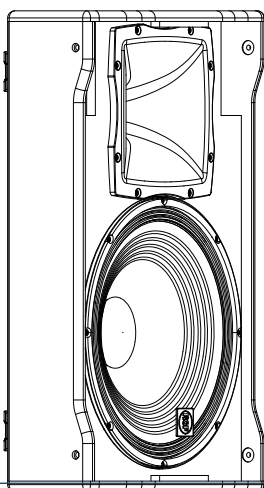
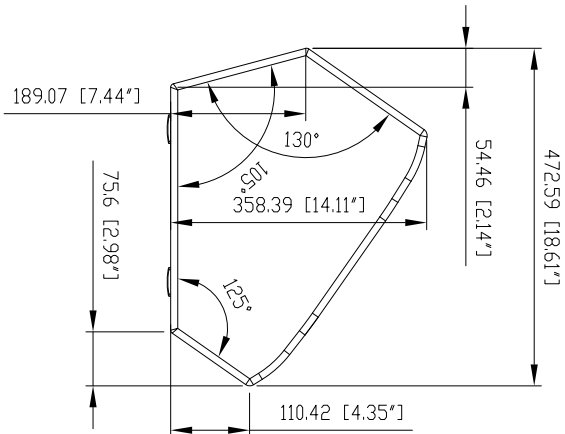
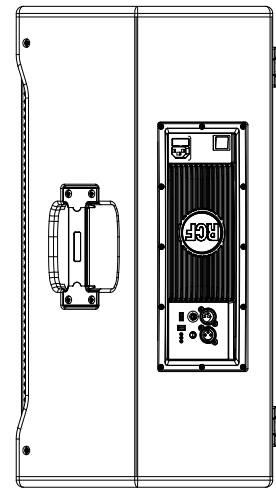
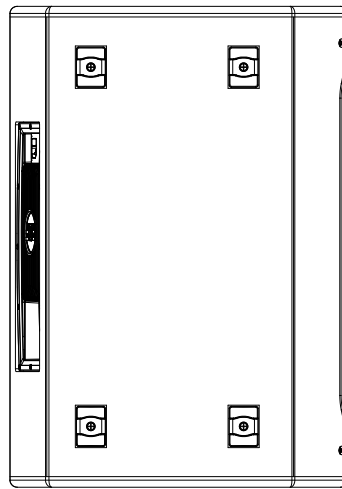
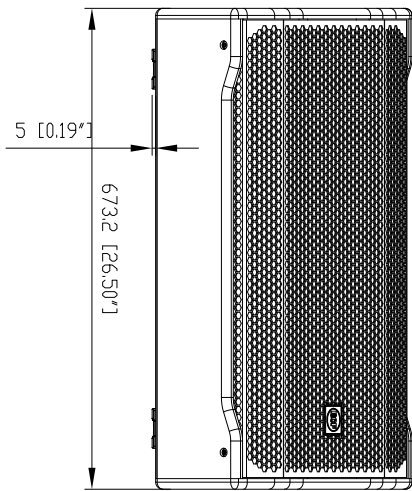
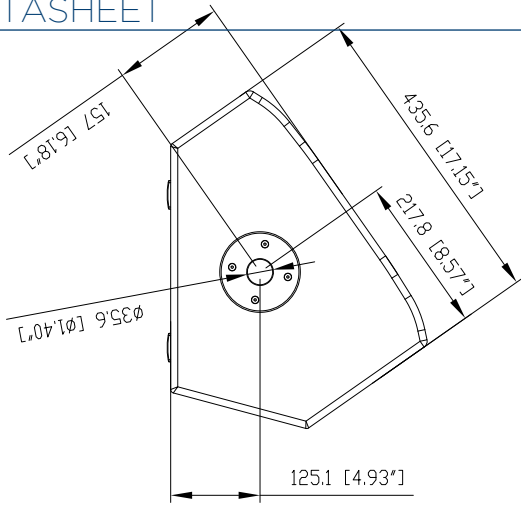
- **13000460**

ST 12-SMA

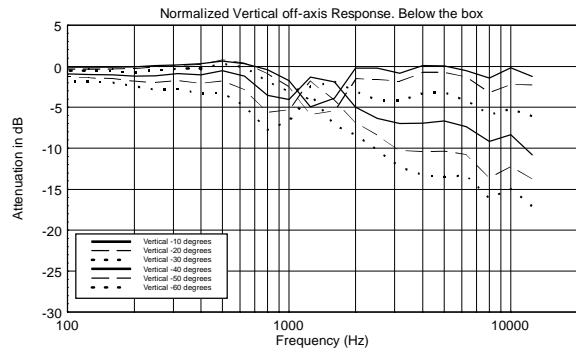
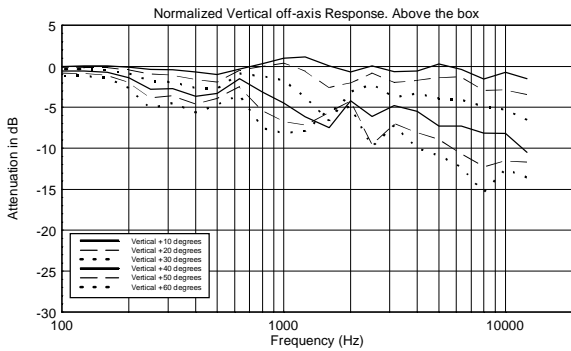
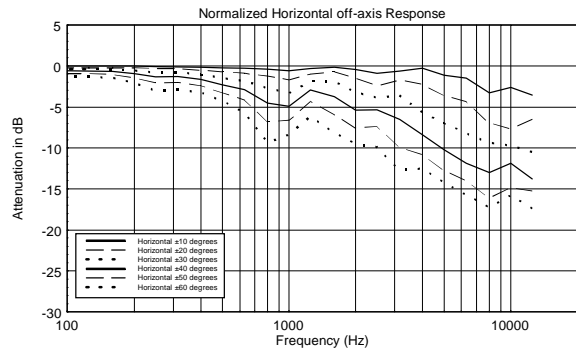
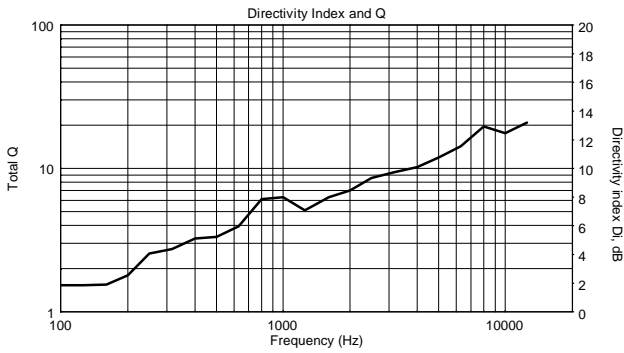
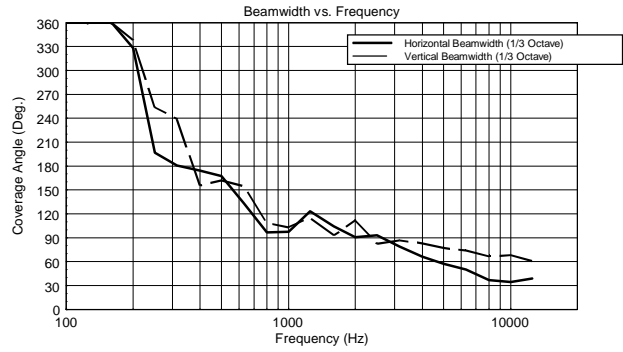
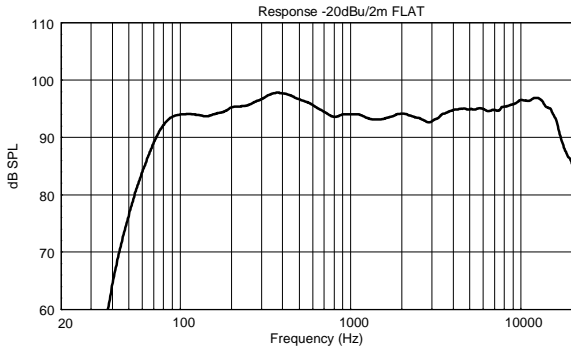
220-240V

EAN 8024530012809

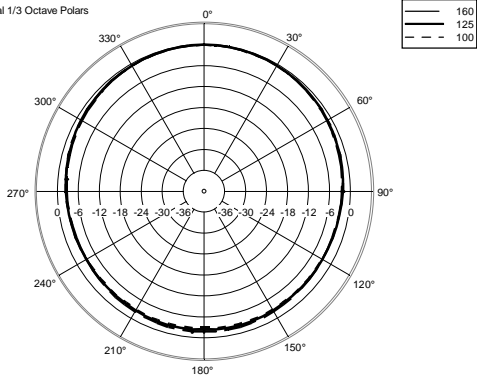
DATASHEET



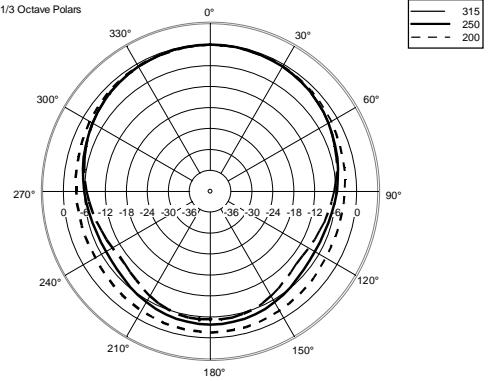
ST15-SMA



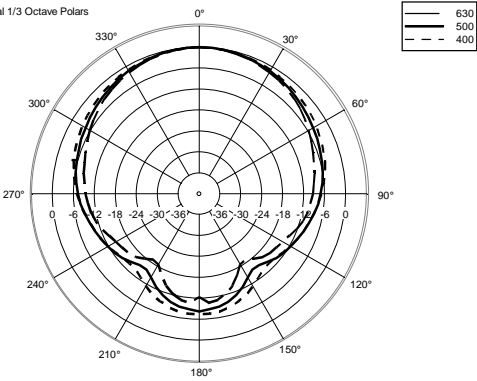
Horizontal 1/3 Octave Polars



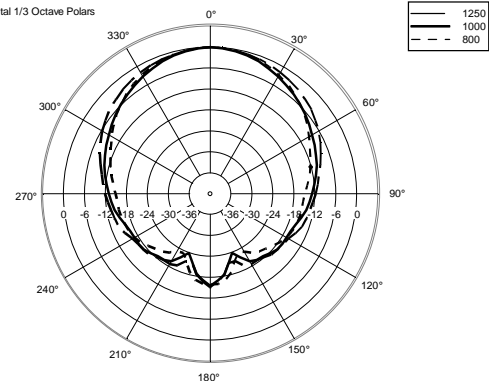
Horizontal 1/3 Octave Polars



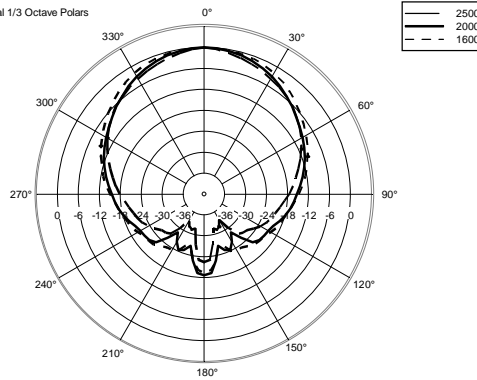
Horizontal 1/3 Octave Polars



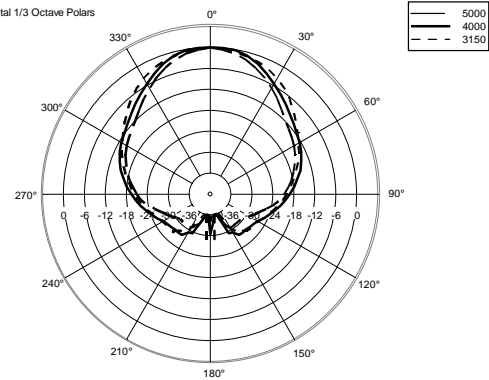
Horizontal 1/3 Octave Polars



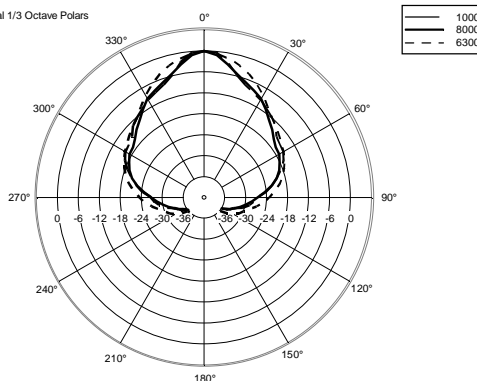
Horizontal 1/3 Octave Polars



Horizontal 1/3 Octave Polars



Horizontal 1/3 Octave Polars



Horizontal One Octave Polars

