

TG L34

Condenser Microphone

Order # 706.256



FEATURES

- Wide frequency response
- Cardioid polar response provides high gain before feedback
- Small and discreet size
- Cable length 1.45 m [4.76 ft]

APPLICATIONS

The TG L34 is used for the discrete application with lectures and presentations. Due to the cardioid polar pattern the TG L34 features a high gain before feedback and eliminates lateral sound. The TG L34 is suitable for a lot of applications. It is available as **Opus version** and can therefore be used with the wireless microphone systems of the Opus series.

For wired applications with phantom power sources the TG L34 must be used with the optional CV 18 power adapter.

SUPPLIED ACCESSORIES

Mounting clip
Wind shield

TECHNICAL SPECIFICATIONS

Transducer type	Condenser (back electret)
Operating principle	Pressure gradient
Polar pattern	Cardioid
Frequency response:	
Close miking	30 - 18,000 Hz*
Distant miking (measured at 1 m)	200 - 18,000 Hz*
Open circuit voltage	10 mV/Pa (-40 dBV)* ±3 dB
Nominal impedance	1 kΩ
Max. SPL at 1 kHz	136 dB SPL*
S/N ratio	56 dB [CCIR; Q-Peak]*
Equivalent SPL	27 dB [A, RMS]*
Power supply	Direct current
Max. power consumption	0.5 mA
Supply voltage	3 - 9 V
Connection	Mini-XLR, 4-pin, female
Dimensions:	
Capsule diameter	11 mm
Length	34 mm
Cable length	1.45 m
Weight (without clip)	17.3 g

*measured with CV 18

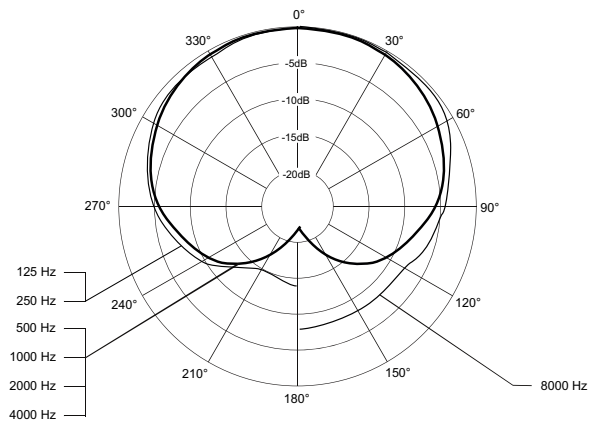
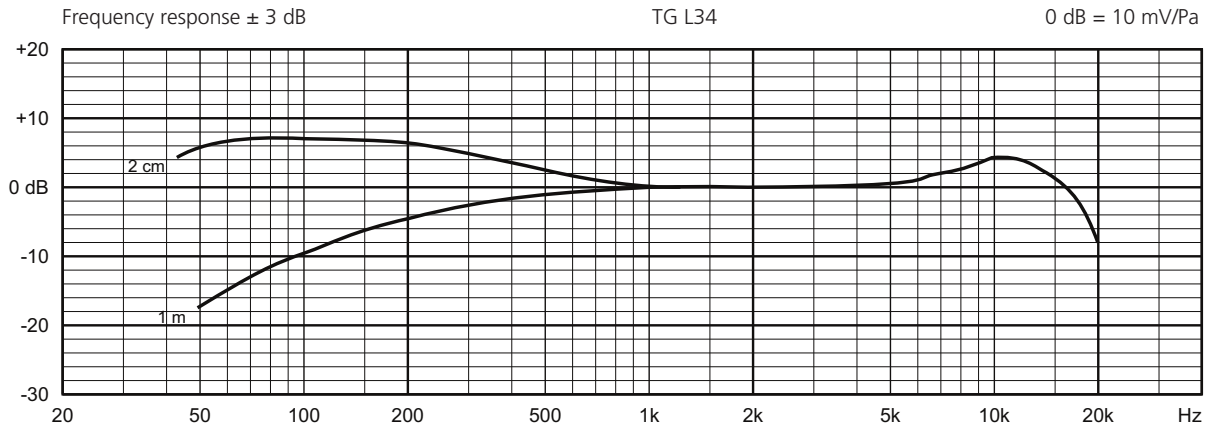
OPTIONAL ACCESSORY

CV 18	Phantom power adapter to connect to phantom-powered microphone inputs. Order # 475.378
-------	--

TG L34

FREQUENCY RESPONSE & POLAR PATTERN

This polar pattern and frequency response curve (measuring tolerance ± 3 dB) correspond to a typical production sample for this microphone.



WIRING DIAGRAM

