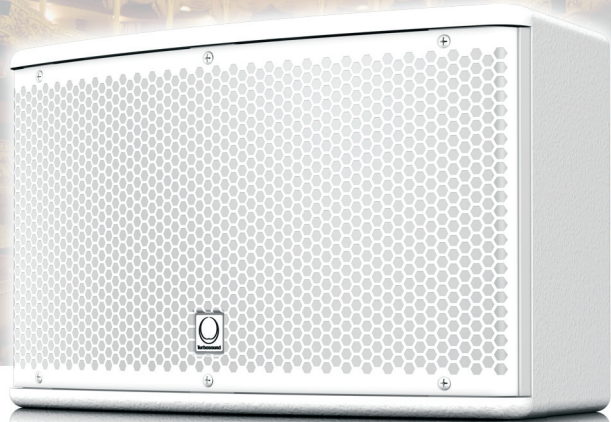


Install Speakers

ATHENS TCS62-WH

Arrayable 2 Way
6.5" Full Range Loudspeaker for
Installation Applications (White)



- Arrayable 2 way full range loudspeaker for installation applications
- 175 Watts continuous, 700 Watts peak power
- Carbon fibre loaded 6.5" low frequency driver with low mass coil for improved transient response
- Aluminium dome 1" neodymium motor compression driver
- Rotatable converging elliptical waveguide provides 100° H x 60° V dispersion
- Multiple array configurations for extended coverage
- Trapezoidal cabinet shape enables visually unobtrusive loudspeaker arrays
- Multiple internal rigging points allow bracket mount and suspension in any orientation
- 12 mm (½") birch plywood enclosure with hard wearing semi matt white paint finish
- Architecturally styled powder coated perforated steel mesh grille
- Neutrik speakON* NL4 and barrier strip connectors
- 3-Year Warranty Program*
- Designed and engineered in England

The 2 way full range TCS62-WH is a compact passive 6.5" 700 Watt arrayable loudspeaker system that is ideally suited for a wide range of speech and music sound reinforcement applications. Designed to work in conjunction with **TURBOSOUND** loudspeaker management systems, the TCS62-WH provides optimal infill, front and downfill performance – and the compact size makes it an exceptional choice for under balcony and monitoring applications.



TCS62-WH arrayable loudspeaker features a carbon fibre loaded 6.5" low frequency driver with a low mass voice coil for improved transient response and an aluminium dome 1" neodymium motor compression driver mounted on a 100° horizontal by 60° vertical converging elliptical waveguide. When the waveguide is rotated 90° from the standard position, a 60° horizontal by 100° vertical dispersion is achieved, making TCS62-WH ideal for an even broader range of applications. All drivers are matched with an internal passive crossover network in a reflex-loaded enclosure. The rear panel connector plate carries Neutrik speakON* NL4 and barrier strip connectors for input and link connections to additional enclosures.

Finished in a highly durable semi matt white paint, the cabinet is constructed from 12 mm (½") birch plywood – and includes a rugged powder coated perforated steel mesh grille backed with reticulated foam. Internal M8 and M6 threaded rigging points are provided for suspension in any orientation, or mounting with dedicated brackets – available separately.

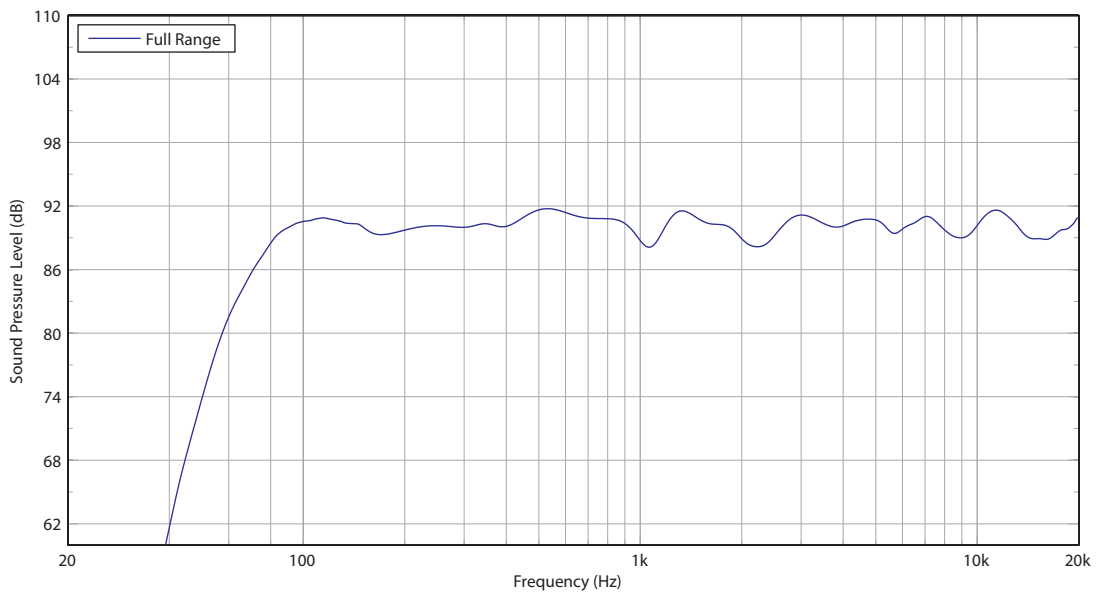
*All third-party trademarks are the property of their respective owners. Their use neither constitutes a claim of the trademark nor affiliation of the trademark owners with MUSIC Group. Product names are mentioned solely as a reference for compatibility, effects and/or components. Warranty details can be found at music-group.com.

Install Speakers

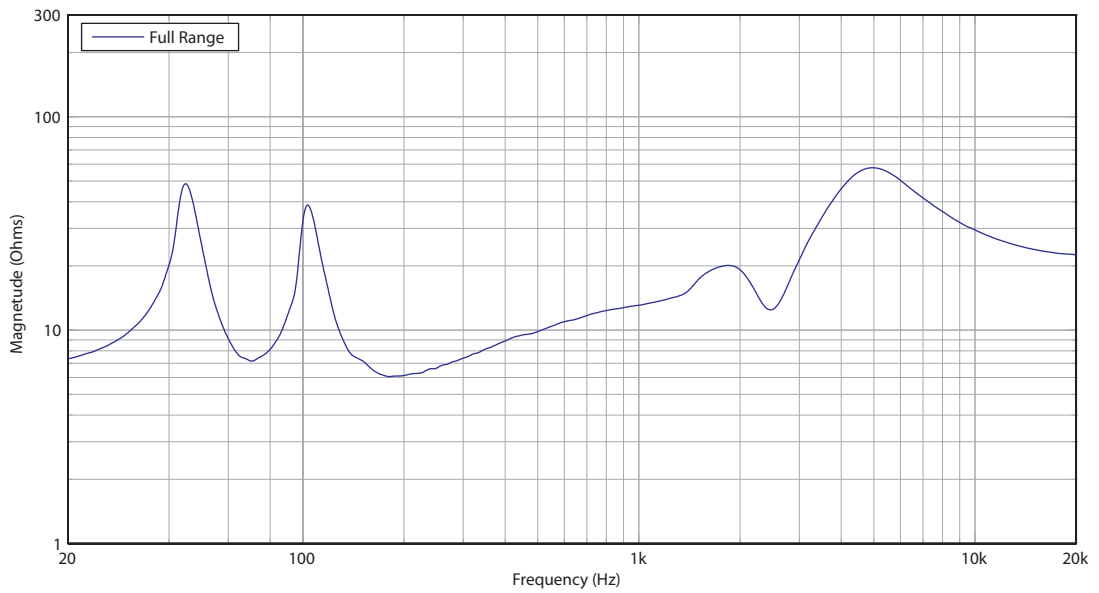
ATHENS TCS62-WH

Arrayable 2 Way
6.5" Full Range Loudspeaker for
Installation Applications (White)

Frequency Response Sensitivity 1 W / 1 m



Impedance

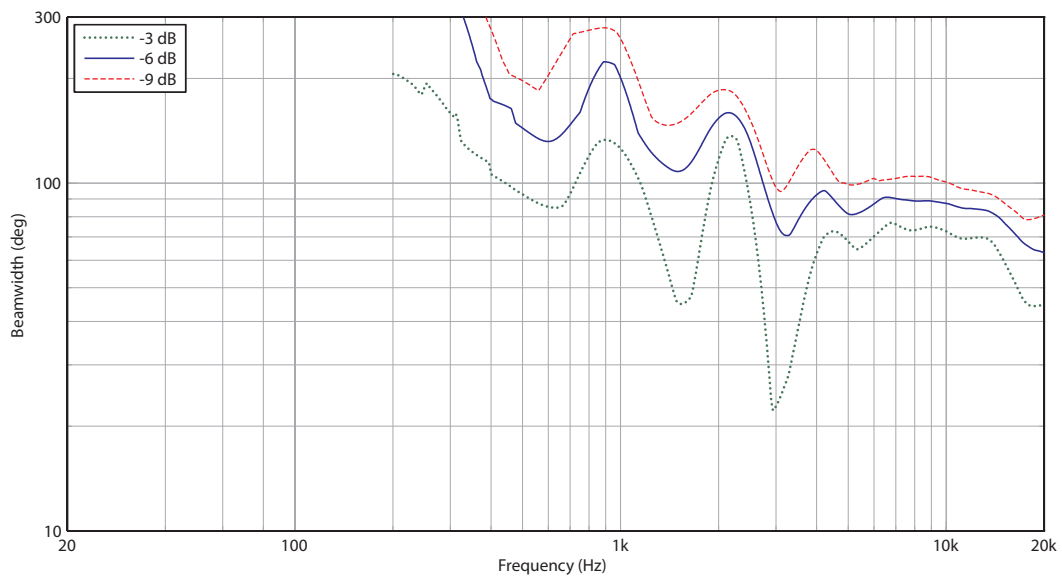


Install Speakers

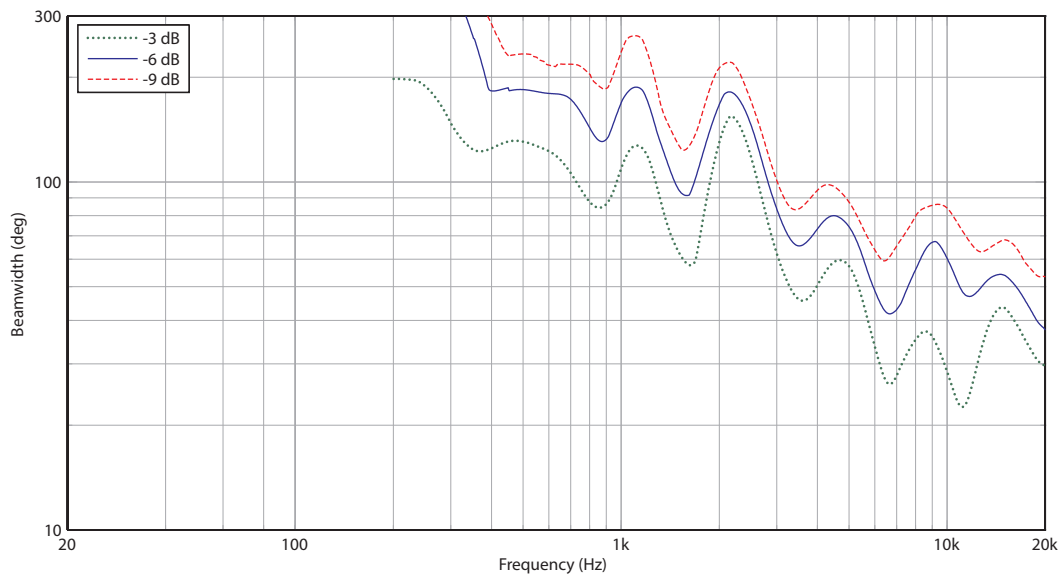
ATHENS TCS62-WH

Arrayable 2 Way
6.5" Full Range Loudspeaker for
Installation Applications (White)

Horizontal Beamwidth



Vertical Beamwidth

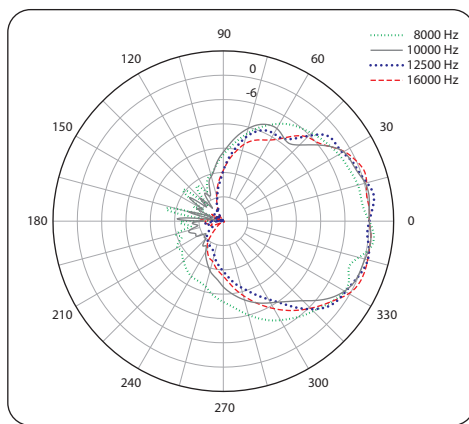
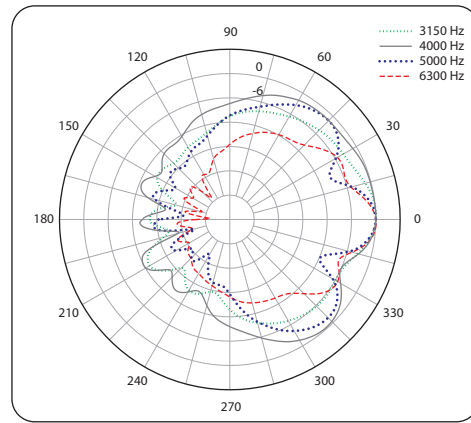
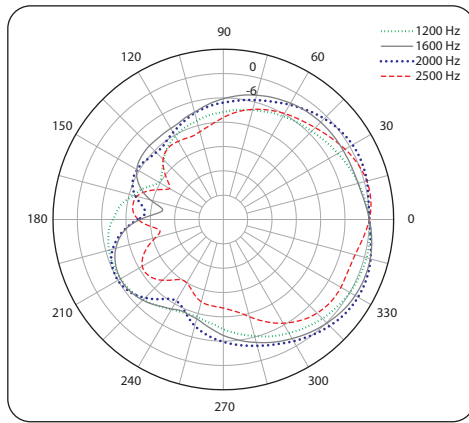
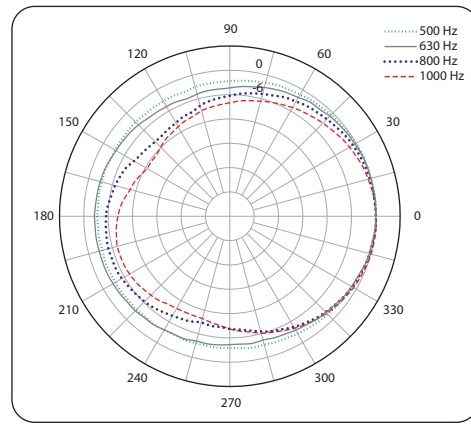
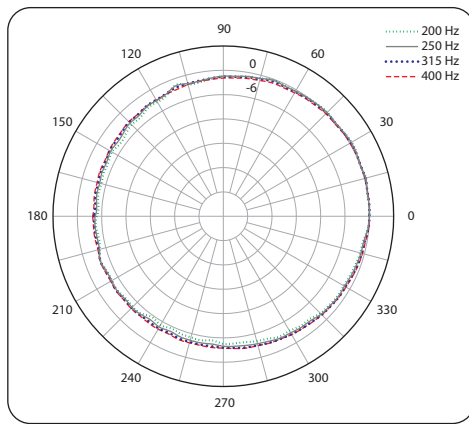


Install Speakers

ATHENS TCS62-WH

Arrayable 2 Way
6.5" Full Range Loudspeaker for
Installation Applications (White)

Horizontal Polar Plots

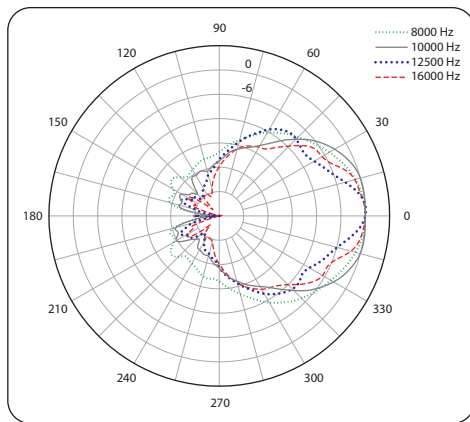
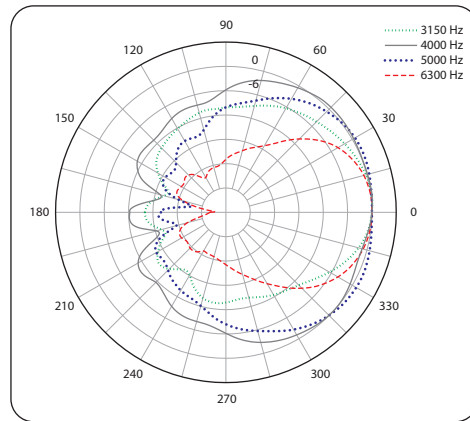
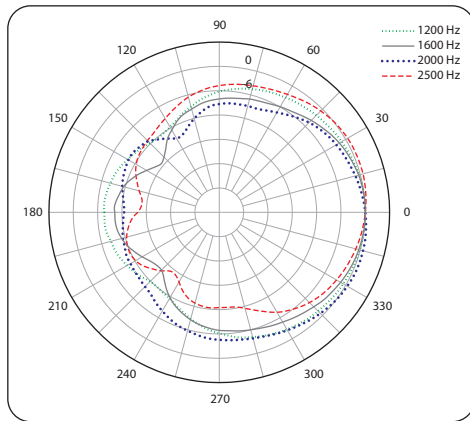
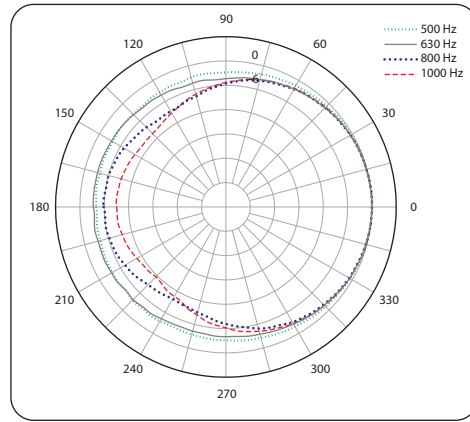
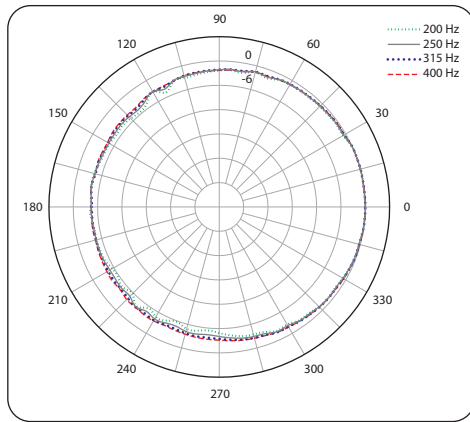


Install Speakers

ATHENS TCS62-WH

Arrayable 2 Way
6.5" Full Range Loudspeaker for
Installation Applications (White)

Vertical Polar Plots

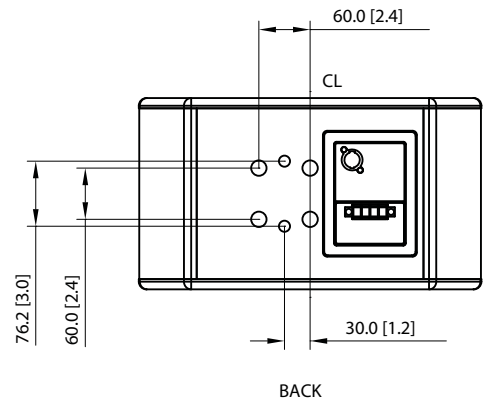
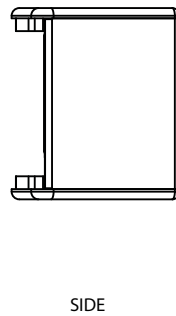
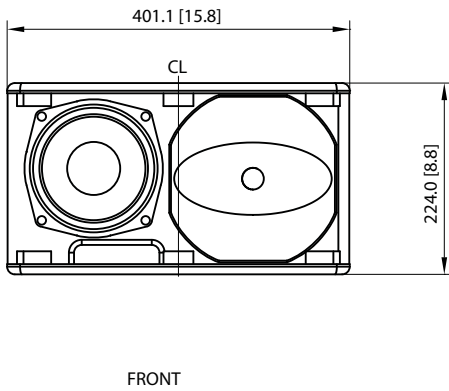
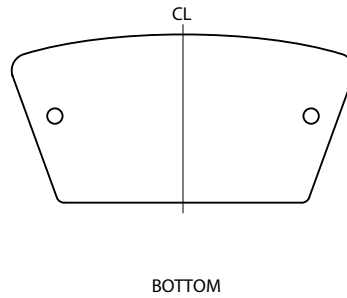
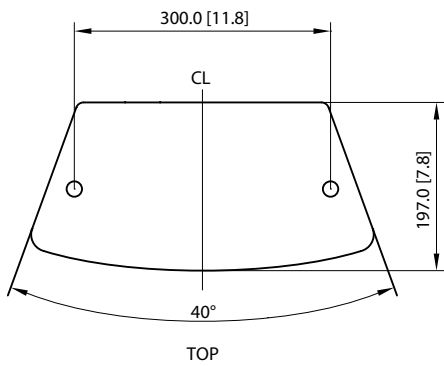


Install Speakers

ATHENS TCS62-WH

Arrayable 2 Way
6.5" Full Range Loudspeaker for
Installation Applications (White)

Dimensions



Install Speakers

ATHENS TCS62-WH

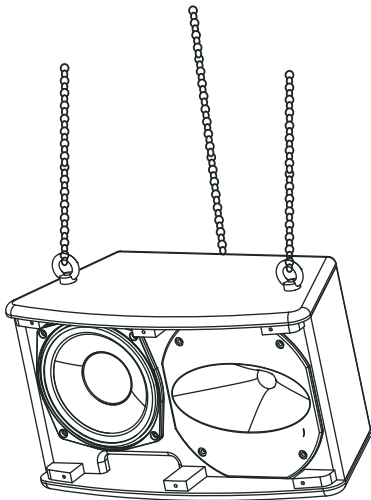
Arrayable 2 Way
6.5" Full Range Loudspeaker for
Installation Applications (White)

Mounting and Rigging

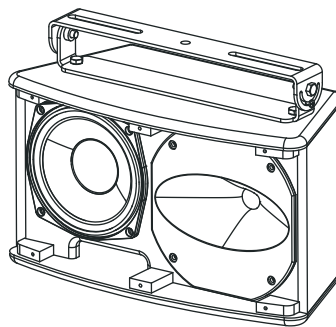
The cabinet is fitted with M8 x 8 and M6 x 2 internally-threaded rigging points that allow it to be rigged with optional shoulder eyebolts and mounted in many different configurations in permanent installations. The simplest method of rigging is to use the two M8 rigging points on the top, and a single pull-back rigging point in the centre of the rear panel. Adjustment of the length of the rear cable allows the cabinet to be angled for optimum room coverage. Cabinets may also be hung upside down if required.

The TCS62-WH cabinet is compatible with industry standard wall and ceiling brackets which use 60 mm x 60 mm hole spacing.

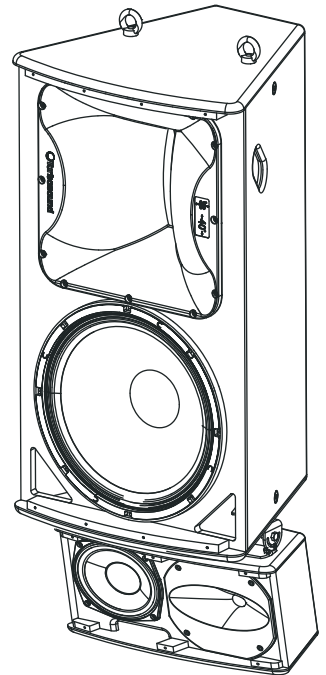
The optional **TCS62-SB** swivel bracket allows the cabinet to be wall or ceiling mounted, or attached to the bottom of a TCS122 or TCS152 cabinet for downfill applications.



Suspension using M8 shoulder eyebolts on top and one at the rear.



TCS62-SB swivel bracket for wall or ceiling mounting



Downfill application using TCS62-SB bracket bolted beneath TCS122 or TCS152.

Install Speakers

ATHENS TCS62-WH

Arrayable 2 Way
6.5" Full Range Loudspeaker for
Installation Applications (White)

Technical Specifications

System

Frequency Response	60 Hz - 20 kHz \pm 3 dB 50 Hz - 20 kHz -10 dB
Nominal Dispersion	100° H x 60° V @ -6dB points, rotatable
Directivity Factor (Q)	12.8
Directivity Index (DI)	11.1
Power Handling (IEC)	
Passive	175 W continuous, 700 W peak
Sensitivity	90 dB (1 W @ 1 m)
Maximum SPL	
Passive	112.5 dB continuous, 118.5 dB peak
Impedance	
Passive	8 Ω
Crossover Type	Passive
Components	1 x 6" (162 mm) LF driver 1 x 1" (25 mm) HF compression driver

Enclosure

Connectors	1 x Neutrik speakON* NL4, 1 x barrier strip terminals
Wiring	
Passive	Pins 1+ / 1- input, pins 2+ / 2- link
Dimensions HWD	224 x 402 x 198 mm (8.8 x 15.8 x 7.8")
Net Weight	6.9 kg (15.2 lbs)
Construction	12 mm (1/2") birch plywood
Finish	Semi matt white paint
Grille	Powder coated perforated steel
Flying Hardware	M8 X 8, M6 X 2 points

Accessories

TCS62-SB Swivel Bracket for TCS62

Install Speakers

ATHENS TCS62-WH

Arrayable 2 Way
6.5" Full Range Loudspeaker for
Installation Applications (White)

Architecture & Engineering Specifications

The speaker shall be of the full range, two-way passive type consisting of one 6" (162 mm) LF driver and one 1" (25 mm) HF compression driver. Performance specifications of a typical production unit shall meet or exceed the following: frequency response, measured with swept sine wave input, shall be flat within ± 3 dB from 60 Hz to 20 kHz and within -10 dB from 50 Hz to 20 kHz. Nominal dispersion, at -6 dB points, shall average 100° H x 60° V, rotatable. Nominal impedance shall be 8 Ohms. Power handling shall be 175 Watts continuous, 700 Watts peak. Sensitivity, measured on axis, mean averaged over stated bandwidth, shall be 90 dB, 1 Watt @ 1 metre. Maximum SPL (peak), measured at 1 metre with music program at stated amplifier input, shall be 118.5 dB. Dimensions: 224 mm high x 402 mm wide x 198 mm deep (8.8" x 15.8" x 7.8"). Net weight: 6.9 kg (15.2 lbs). The loudspeaker system shall be the **TURBOSOUND** TCS62-WH. No other loudspeaker shall be acceptable unless submitted data from an independent test laboratory verifies that the above combined performance / size specifications are equaled or exceeded.



You Are Covered

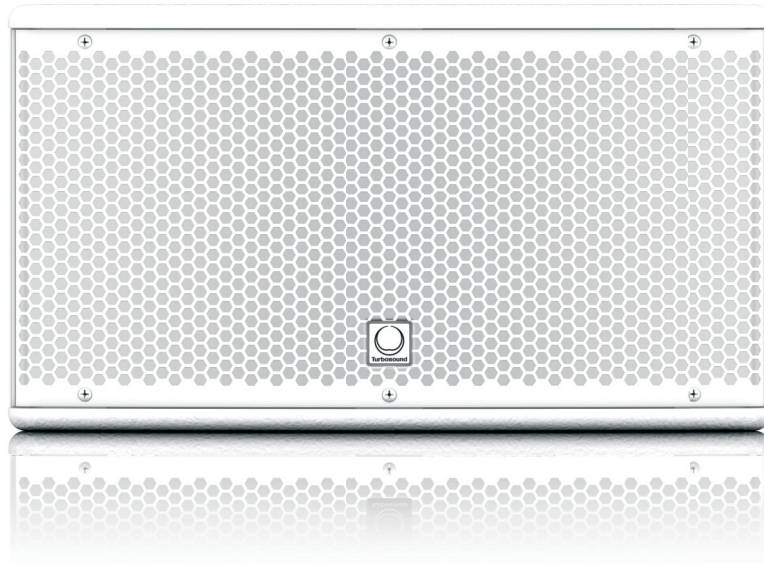
We always strive to provide the best possible Customer Experience. Our products are made in our own **MUSIC Group** factory using state-of-the-art automation, enhanced production workflows and quality assurance labs with the most sophisticated test equipment available in the world.

As a result, we have one of the lowest product failure rates in the industry, and we confidently back it up with a generous **3-Year Warranty** program.

Install Speakers

ATHENS TCS62-WH

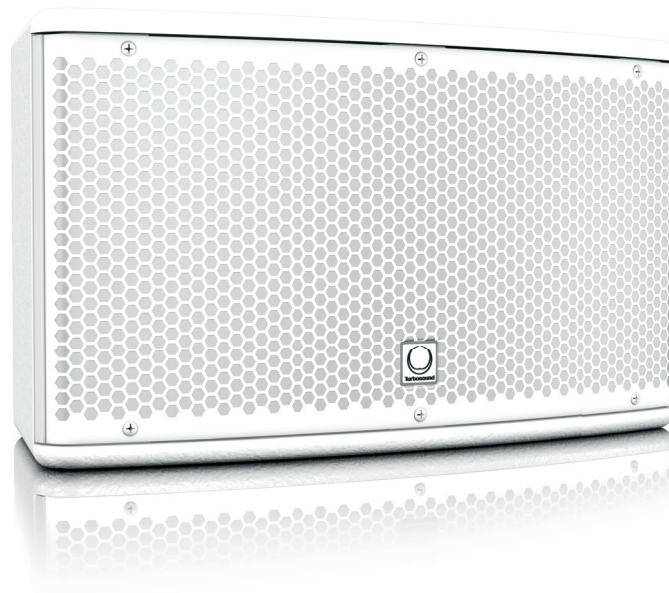
Arrayable 2 Way
6.5" Full Range Loudspeaker for
Installation Applications (White)



Install Speakers

ATHENS TCS62-WH

Arrayable 2 Way
6.5" Full Range Loudspeaker for
Installation Applications (White)



Install Speakers

ATHENS TCS62-WH

Arrayable 2 Way
6.5" Full Range Loudspeaker for
Installation Applications (White)



For service, support or more information contact the TURBOSOUND location nearest you:

Europe
MUSIC Group Services UK
 Tel: +44 156 273 2290
 Email: CARE@music-group.com

USA/Canada
MUSIC Group Services NV Inc.
 Tel: +1 702 800 8290
 Email: CARE@music-group.com

Japan
MUSIC Group Services JP K.K.
 Tel: +81 3 6231 0454
 Email: CARE@music-group.com

MUSIC Group accepts no liability for any loss which may be suffered by any person who relies either wholly or in part upon any description, photograph, or statement contained herein. Technical specifications, appearances and other information are subject to change without notice. All trademarks are the property of their respective owners. MIDAS, KLARK TEKNIK, LAB GRUPPEN, LAKE, TANNØY, TURBOSOUND, TC ELECTRONIC, TC HELICON, BEHRINGER, BUGERA and DDA are trademarks or registered trademarks of MUSIC Group IP Ltd.
 © MUSIC Group IP Ltd. 2016 All rights reserved.

