

HDL 30-A

ACTIVE TWO-WAY LINE ARRAY MODULE

DESCRIPTION

The RCF HDL30-A is a compact bi-amped 2-way active touring system for medium to large events, both indoors and outdoors. It features two 10-inch woofers and an impressive 4-inch titanium compression driver. The time coherent waveguide is the result of in-depth research and design. HDL 30-A is the first line array in a composite cabinet with zero-degree phase and ultra-linear amplitude response.

The built-in 2200 watt class-D amplifier delivers excellent playback clarity and up to 137 decibels SPL max. The RCF HDL30 -A features state of the art RCF transducers with neodymium magnets. Considering its acoustical power, it has a remarkably low weight for easy handling and flying.



FEATURES

- 2200W Two Way Amplifier
- 137 dB Max SPL
- 48 kHz, 32 bit DSP processing
- 1.4" Titanium Compression Driver, 4.0" voice coil
- 2 x 10" Neodymium Woofers, 2.5" voice coil
- Exclusive FiRPHASE technology on-board
- RDNet Control and Management
- 680 Hz Crossover Point

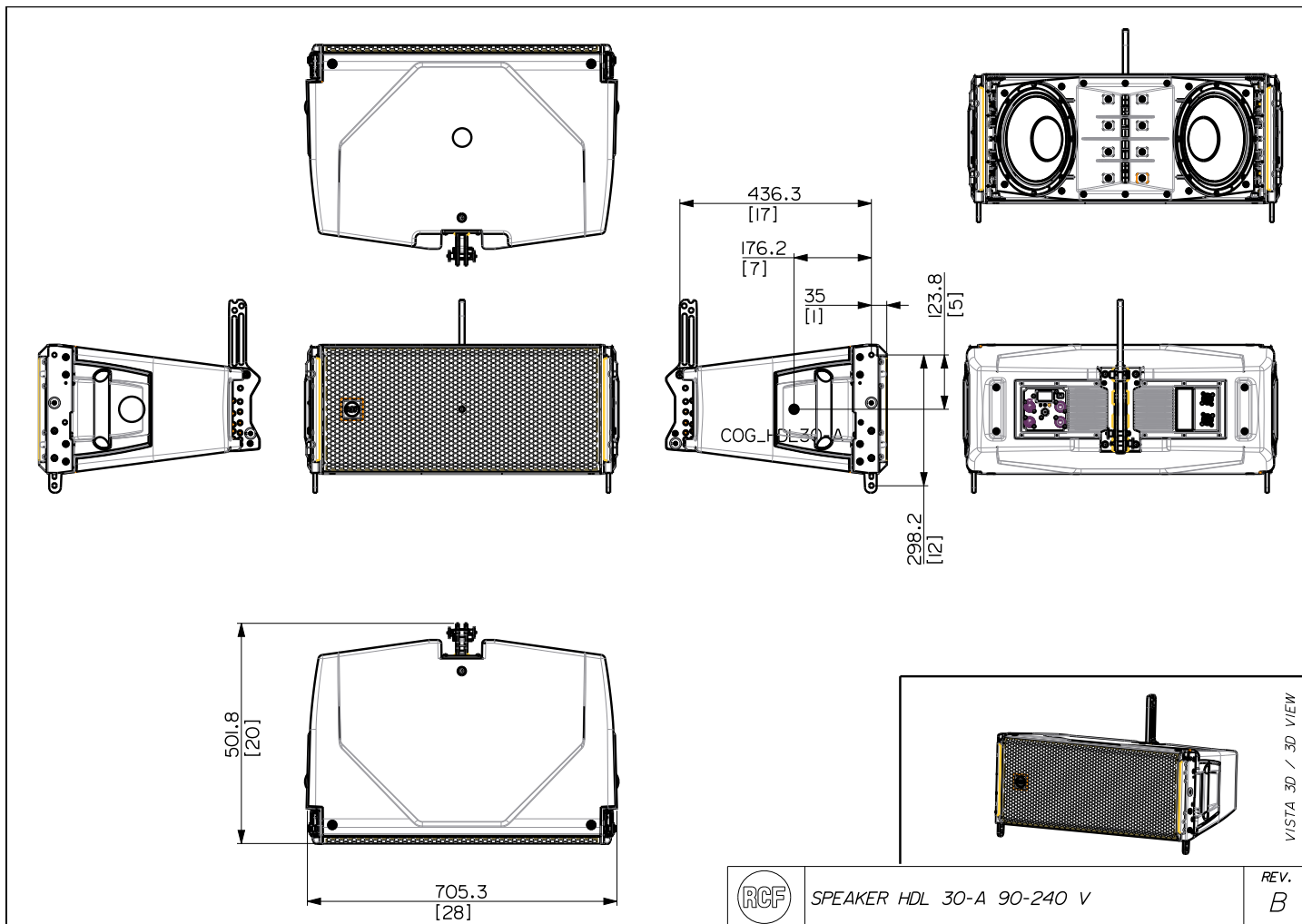
TECHNICAL SPECIFICATIONS

Acoustical specifications	Frequency Response:	50 Hz ÷ 20000 Hz
	Max SPL @ 1m:	137 dB
	Horizontal coverage angle:	100°
	Vertical coverage angle:	15°
Transducers	Compression Driver:	1.4" neo, 4.0" v.c
	Woofer:	2 x 10" neo, 2.5" v.c
Input/Output section	Input signal:	bal/unbal
	Input connectors:	XLR, RDNet Ethercon
	Output connectors:	XLR, RDNet Ethercon
	Input sensitivity:	+4 dBu
Processor section	Crossover Frequencies:	680 Hz
	Protections:	Thermal, RMS
	Limiter:	Soft Limiter
	Controls:	Preset, RDNet bypass
	RDNet:	Yes
Power section	Total Power:	2200 W Peak, 1100 W RMS
	High frequencies:	600 W Peak, 300 W RMS
	Low frequencies:	1600 W Peak, 800 W RMS
	Cooling:	Forced
	Connections:	Powercon IN/OUT
Standard compliance	CE marking:	Yes
Physical specifications	Cabinet/Case Material:	PP Composite
	Hardware:	Array fittings
	Handles:	2 Side
	Grille:	Steel
	Color:	Black
Size	Height:	293 mm / 11.54 inches
	Width:	705 mm / 27.76 inches
	Depth:	502 mm / 19.76 inches
	Weight:	25 kg / 55.12 lbs
Shipping informations	Package Height:	365 mm / 14.37 inches
	Package Width:	800 mm / 31.5 inches
	Package Depth:	550 mm / 21.65 inches
	Package Weight:	28.2 kg / 62.17 lbs



PART NUMBER

- **13000511**
HDL 30-A
90-240V
EAN 8024530014643



SPEAKER HDL 30-A 90-240 V

REV.
B

