

Contents

Key Features	2
Modules	3
Block Diagram - Inputs	4
Block Diagram - Master Section	5
Typical Specifications	6
Dimensions	7
Architect's and Engineer's Specifications	8





Technical Data

Key Features

16, 24 and 32 channel configurations.

Individually switched 48V phantom power on every input module.

6 Aux sends.

4 Sub groups (paired).

6 X 2 Output Matrix.

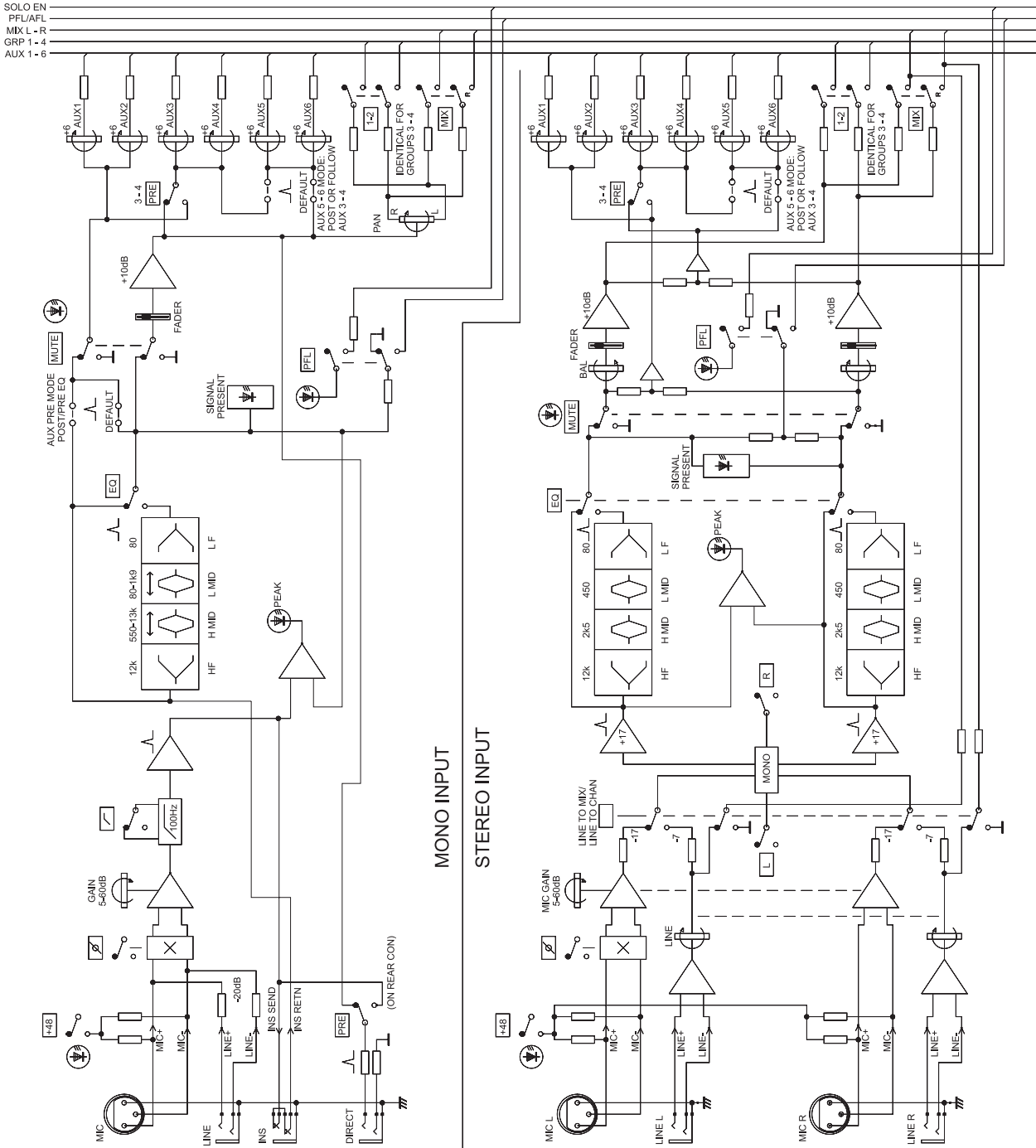
GB30 mic pre-amp.

4-band GB30 EQ.

Integral power supply, with an external power supply link option.

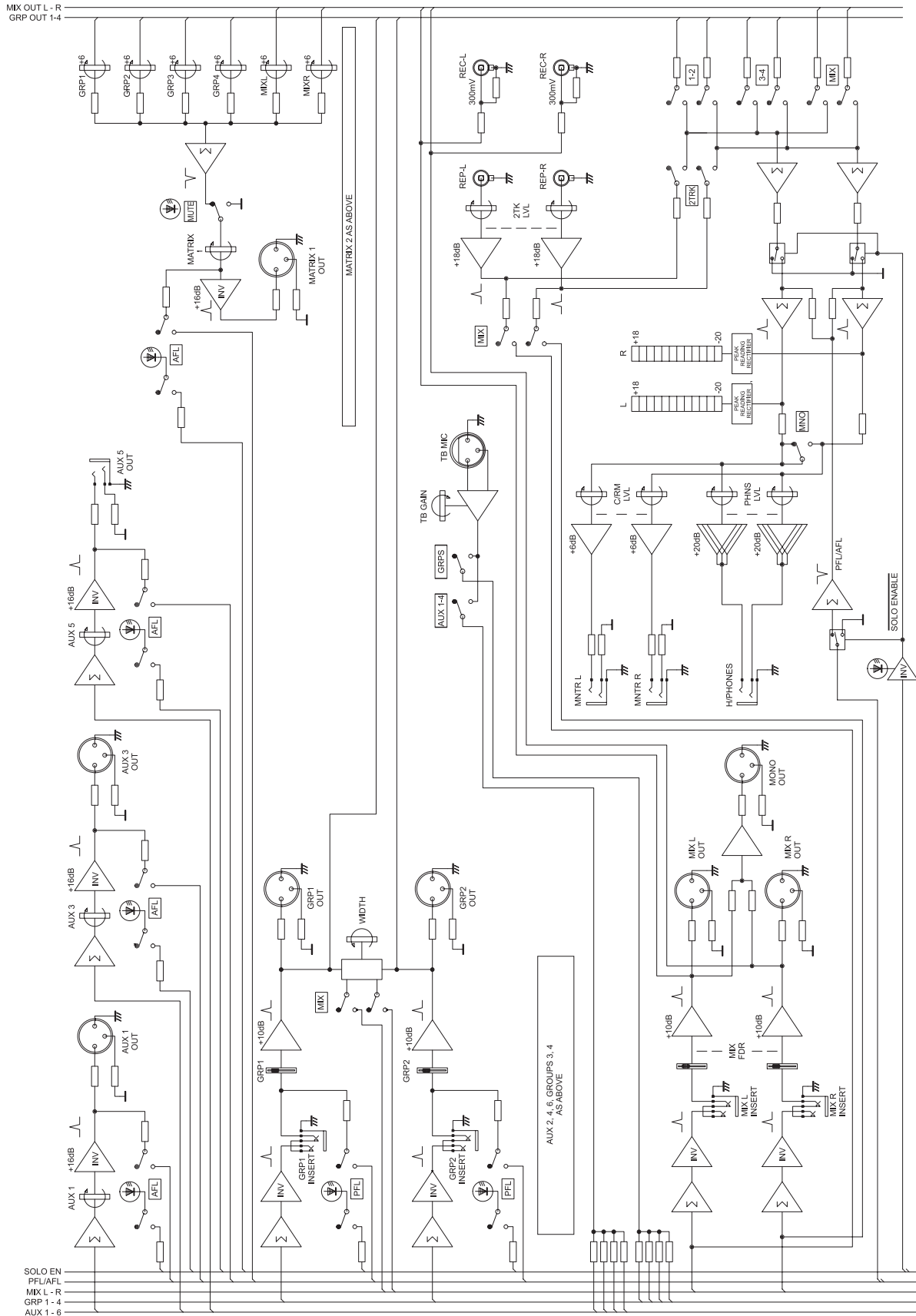
All metal TRS jacks and Neutrik XLRs.

Direct outputs on all mono input channels.



GB2

Technical Data Block Diagram - Master Section



SOLO EN
PFL/AFL
MIX L-R
GRP 1-4
AUX 1-6



Technical Data

Typical Specifications

Noise

Measured RMS, 22Hz to 22kHz Bandwidth	
Mic E.I.N. @ unity gain, 150Ω source impedance	-128dBu
Mix Output, 32 inputs routed to mix	<-85dBu
Group Outputs	<-85dBu
Aux Outputs	<-83dBu
Matrix Outputs	<-89dBu

Crosstalk (@1kHz, typical)

Input Channel Mute	<-93dB
Input Fader cut-off	<-92dB
Pan isolation	<-70dB
Mix route isolation	<-93dB
Group route isolation	<-93dB
Adjacent channel crosstalk	<-99dB
Group to Mix	<-90dB
Aux Send pots offness (typical)	<-80dB
Matrix Send pots offness (typical)	<-80dB

Frequency Response

Mic/Line Input to any output, 20Hz - 20kHz	<1dB
--	------

THD + N

Mic sens. -30dBu, +20dBu at all outputs @1kHz	<0.006%
---	---------

CMRR

Typical @ 1kHz	80dB
----------------	------

Input & Output Max Levels

Mono & Stereo Mic Inputs	+15dBu
Mono Line Inputs	+30dBu
Stereo Line Inputs	+20dBu
Insert Returns	+20dBu
Any output	+20dBu
Nominal Operating Level	0dBu
Headphone Power	2x250mW into 200Ω

Input & Output Impedances

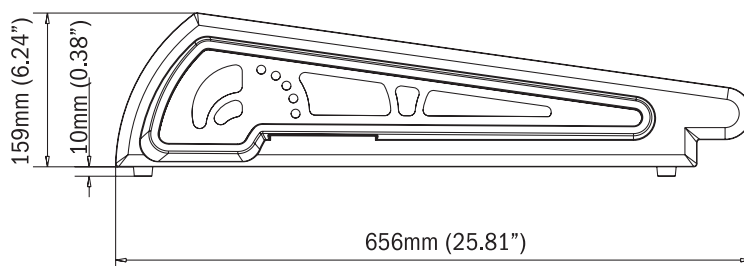
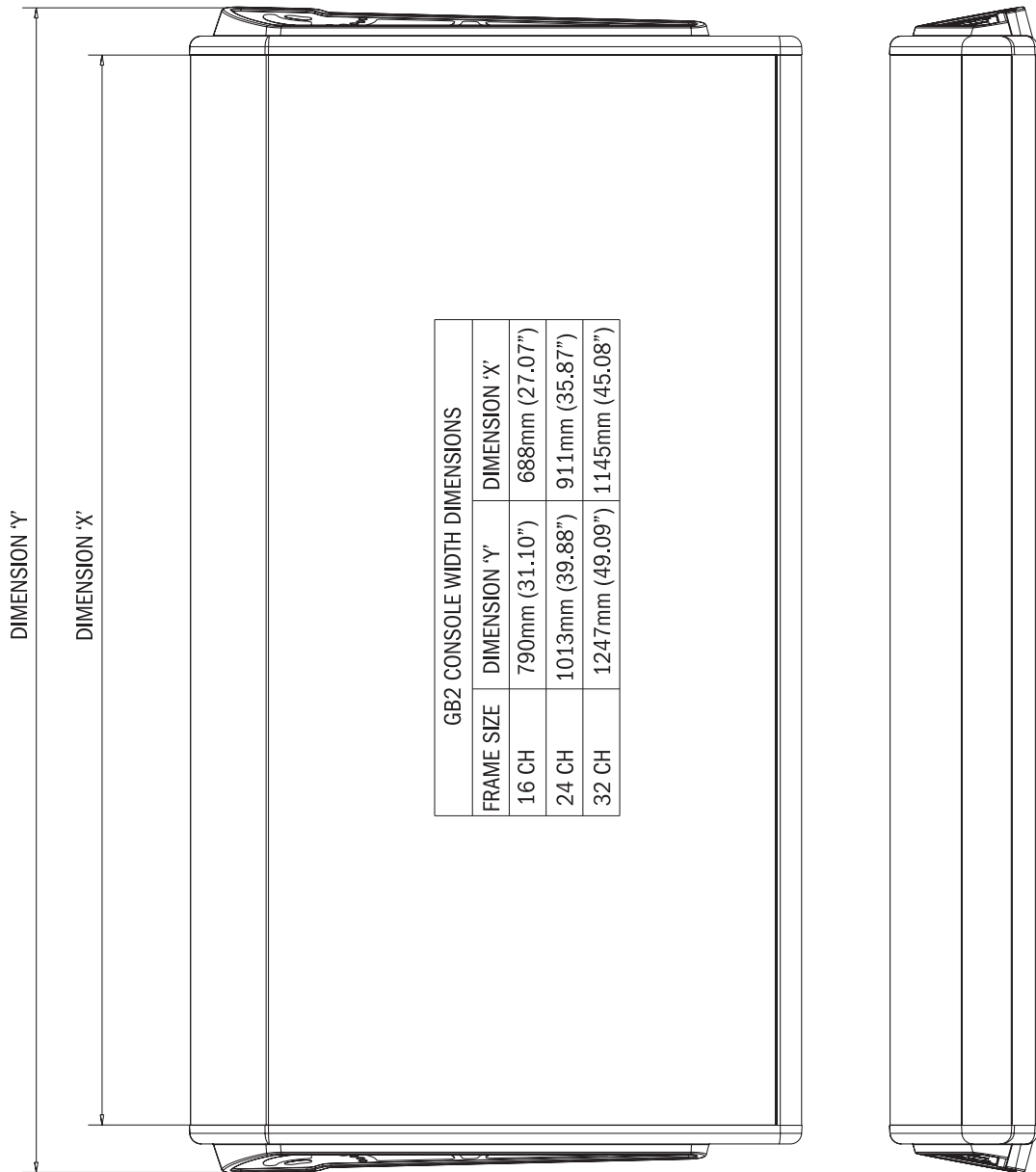
Mic Inputs	2kΩ
Line Inputs and Stereo Returns	10kΩ
Input channels Insert Return	5kΩ with EQ in, otherwise 3kΩ
Mix, Group, Aux, Matrix & Direct outputs	150Ω
Insert sends	75Ω
Recommended Headphone Impedance	50 - 600Ω

Weight

16 Channel	22kg
24Channel	25kg
32Channel	30kg

GB2

Technical Data Dimensions





Technical Data

Architect's and Engineer's Specifications Soundcraft GB2 May 2006

The Mixing Console shall be constructed in an all-steel chassis, with removable side cheeks, and shall be available in 16, 24 and 32 input configurations. There shall be one PCB per channel and master section. There shall be one Main mix output, 4 Sub Group outputs arranged as 2 stereo pairs, 2 Matrix outputs, and L/R recording outputs. There shall be 6 auxiliary send outputs and Direct outputs on each channel with a switch to select the Direct Output to be sourced either pre or Post fade. There shall be 2 fully featured stereo Mic/Line channels. A Talkback facility shall be included, assignable to the Aux sends and Group outputs. A minimum of two lamp sockets shall be provided on each frame size. The unit will be supplied with an integral power supply and an optional external back-up supply shall be available.

Each Mono Input shall have a balanced low-impedance input via an XLR socket and a line-level ¼" balanced TRS connector. Input Gain shall be continuously variable from +5 dBu to +60 dBu, and a Peak LED shall also be provided. Phantom power will be switchable on an individual basis with an LED to indicate that it is active. There shall be a switchable 100Hz High Pass filter with an 18db per octave slope, along with a Phase switch. The EQ shall be a 4-band type with a Shelving HF at 12kHz, Shelving LF at 80Hz, and two sweepable mid-range controls from 80Hz - 1.9kHz, and 550Hz - 13kHz respectively. The Q for Mid-range control shall be fixed at 1.5. Gain shall be cut or boosted by 15db on all bands (centre detented). The EQ circuit shall be engaged via a switch. Six external Aux sends shall be provided. Auxes 1-2 shall be fixed pre-fader, 3-4 will be globally switchable between pre and post fader. Auxes 5-6 shall be fixed post-fader operation. All Aux sends will be post-mute and post EQ. There shall be a pre-EQ, pre-mute TRS ¼" insert point. Routing shall be assigned, post-pan, to the Mix, Group 1-2 and Group 3-4 buses via a switch adjacent to each fader. Faders shall be of the 100mm variety. There shall be provided a main channel Mute switch and Mute LED indicator, as well as a PFL switch and LED indicator. Each mono input channel shall have a peak and signal LED indicator adjacent to the channel fader.

Each Stereo Input shall have 2 x balanced low-impedance inputs via XLR sockets and 2 x line-level ¼" balanced TRS connectors. Input Gain shall be continuously variable from +5 dBu to +60 dBu, and phantom power will be switchable on an individual basis. There shall be a switchable Phase switch that reverses the phase of the Left input signal. Left Only/Right Only and Mono Sum switches shall be provided. The EQ shall be a 4-band fixed frequency type. Gain shall be cut or boosted by 15db on all bands (centre detented). The EQ circuit shall be engaged via a switch. Six external Aux sends shall be provided. Auxes 1-2 shall be fixed pre-fader, 3-4 will be globally switchable between pre and post fader. Auxes 5-6 shall be fixed post-fader operation. All Aux sends will be post-mute and post EQ. Routing shall be assigned, post-pan, to the Mix, Group 1-2 and Group 3-4 buses via a switch adjacent to each fader. Faders shall be of the 100mm variety. There shall be provided a main channel Mute switch and Mute LED indicator, as well as a PFL switch and LED indicator. Each stereo input channel shall have a peak and signal LED indicator adjacent to the channel fader.

There shall be 4 sub group busses arranged as 2 stereo pairs on 100mm faders situated to the left of the Mix fader. Outputs will be routed to dedicated balanced XLR jacks with TRS insert points. A switch to route Group channels to the mix bus will be provided along with a mono/stereo width control and PFL buttons for each individual group bus.

The Master section shall consist of one 100mm master fader which controls the mix bus master level. Six master Aux sends with AFL switches shall be provided. Two Matrix Master controls will be included with an AFL and mute button for each Matrix. A Talkback facility, assignable to the Aux sends (in pairs) and Group outputs shall be provided. There shall be a 12 segment multi-coloured LED meter switchable between the 2 Track, Groups 1-2 and 3-4 and the mix output. The Monitoring section shall allow the selection of either the 2 Track, Groups 1-2 and 3-4 and the mix output to the headphones and Control Room speaker outputs. A 2 Track to Mix button shall also be provided that allows the Main stereo mix output to be replaced by the 2 Track input. A ¼" stereo headphone jack will be provided with dedicated level control. Master outputs shall be balanced XLR with ¼" TRS inserts available

The console dimensions and weight shall be published in product literature according to frame size. The console shall be the **Soundcraft GB2**.



H A Harman International Company

SOUNDCRAFT, Harman International Industries Ltd., Cranborne House, Cranborne Road, Potters Bar, Herts., EN6 3JN U.K.
Tel: +44 (0) 1707 665000 Fax: +44 (0) 1707 660742 EMAIL: info@soundcraft.com

SOUNDCRAFT USA, Harman Pro North America, 8500 Balboa Blvd., Northridge, CA 91329, USA
Main tel: +1 818 920 3212, Main fax: +1 818 920 3208, Direct toll free: 888 251 8352
EMAIL: soundcraft-usa@harman.com