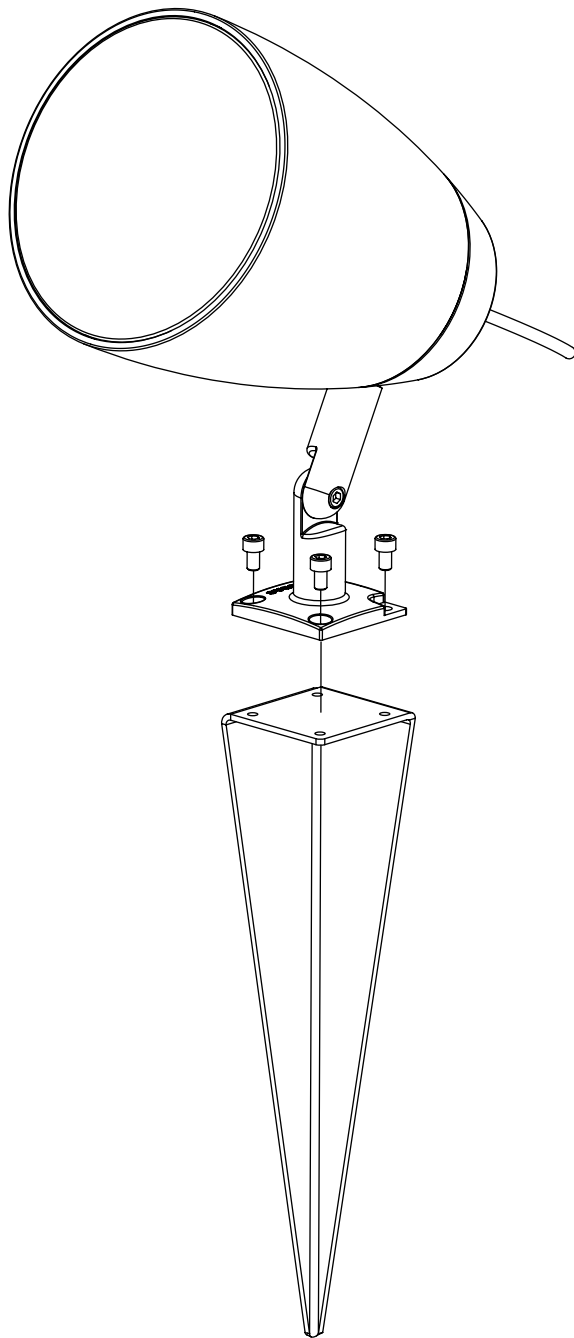


The MBK523/G ground pin is specially designed for mounting loudspeakers. The optional stainless steel ground pin makes it possible to provide all kinds of gardens with the premium sound experience of the outdoor loudspeaker.

Installation:



Included hardware:



Ground pin



x4

M6 bolt x 10 mm

Step 1:

Place the ground pin, without a speaker attached, in the desired location.

Check for the presence of large rocks and if the soft soil is deep enough.

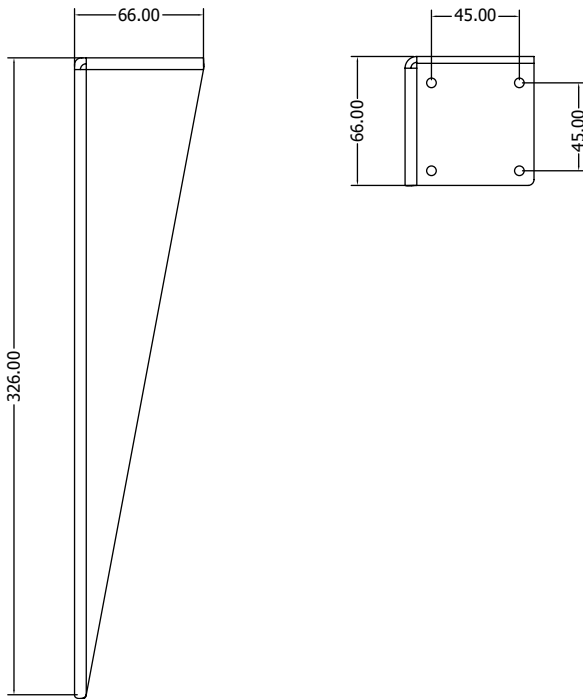
Place the ground pin in the ground without the use of any tools. The use of tools such as hammers, drills etc. may damage the ground pin.

Step 2:

Mount the speaker to the ground pin by securing it with the four M6 bolts provided.

The mounting holes on the ground pin are tapped, making the use of nuts unnecessary.

Dimensions:



PRECAUTIONS

- KEEP THESE INSTRUCTIONS FOR FUTURE REFERENCE. NEVER THROW THEM AWAY
- ALWAYS HANDLE THIS UNIT WITH CARE
- HEED ALL WARNINGS AND FOLLOW ALL INSTRUCTIONS
- DO NOT USE HYDROCARBON BASED SOLVENTS, LUBRICANTS OR CLEANING AGENTS OF ANY TYPE ON OR AROUND THE DEVICE AND MOUNTING HARDWARE DURING THE INSTALLATION. THE USE OF THESE PRODUCTS ON OR AROUND THE MOUNTING ANCHORS AND SCREWS CAN LEAD TO DEGRADATION OF THE MATERIAL, POSSIBLY RESULTING IN CRACKING AND PREMATURE FAILURE OF THE PRODUCT.
- ONLY USE ATTACHMENTS & ACCESSORIES SPECIFIED BY THE MANUFACTURER.
- ONLY INSTALL THE SPEAKER IN LOCATIONS THAT CAN STRUCTURALLY SUPPORT THE WEIGHT OF THE SPEAKER. IGNORING THIS CAN BRING THE SPEAKER DOWN.
- DO NOT USE ANY OTHER METHOD THAN SPECIFIED TO MOUNT THE SPEAKER. IF EXTREME FORCE IS APPLIED TO THE SPEAKER, IT COULD FALL DOWN
- CAREFULLY CHECK THE UNIT'S CONDITION AFTER UNPACKING.
- IF THERE IS ANY DAMAGE TO THE CARTON BOX OR THE UNIT ITSELF, INFORM YOUR VENDOR IMMEDIATELY.
- ALWAYS FOLLOW THE LOCAL REGULATIONS AND REQUIREMENTS REGARDING INSTALLATION AND CONNECTION OF THIS LOUDSPEAKER. EVEN WHEN OTHERWISE SPECIFIED IN THIS DOCUMENT.
- IT'S THE INSTALLERS RESPONSIBILITY TO ENSURE INSTALLATION OF THE LOUDSPEAKERS AND MOUNTING SYSTEMS IS PERFORMED IN ACCORDANCE WITH ALL APPLICABLE CODES
- THE INSTALLATION OF THIS LOUDSPEAKER SHALL BE DONE BY QUALIFIED PERSONNEL ONLY.
- DO NOT MAKE UNAUTHORIZED ALTERATIONS TO THE PRODUCT.

CAUTION - SERVICING

This product contains no user serviceable parts. Refer all servicing to qualified service personnel. Do not perform any servicing (unless you are qualified to do so).

EC DECLARATION OF CONFORMITY

This product conforms to all the essential requirements and further relevant specifications described in following directives: 2011/65/EU (RoHS2) and 1907/2006 (REACH)