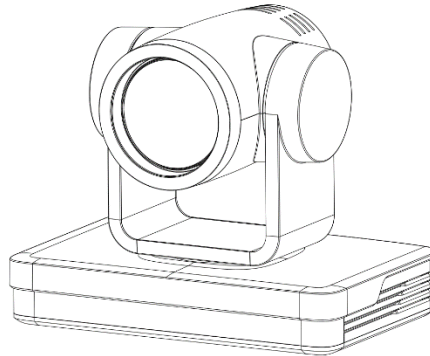


UV570E2 E3 E4



Information communication HD camera series have perfect function, excellent performance, rich interface; advanced ISP processing technology and algorithm, making the image effect vivid and realistic, uniform picture brightness, strong sense of light and color levels, high definition, and good color reproduction. Support H.265/H.264 encoding, which makes the picture more smooth and clear under low bandwidth.

- **Full HD Resolution:** 2.07M megapixel high quality SONY CMOS sensor. Resolution is up to 1920x1080 with frame rate up to 60fps.
- **Optical Zoom Lens:** 12X、 20X and 30Xoptical zoom lens for options.
- **Leading Auto Focus Technology:** Fast, accurate and stable auto focusing technology.
- **Low Noise and High SNR:** Super high SNR image is achieved with low noise CMOS. Advanced 2D/3D noise reduction technology further reduces the noise while ensuring high image clarity.
- **Multiple Video Output Interfaces:** Support HDMI, SDI, USB wired LAN interface (POE)、 **(NDI optional, please consult your distributors for specific supported models)**, SDI support transmission 100 meters in 1080P60 format.
- **Multiple Audio/Video Compression Standards:** Support for H.264, H.265, compression formats, and AAC, MP3, G.711A audio compression.
- **Audio Input Interface:** Support AAC, MP3, G.711A audio coding, AAC, MP3 coding support 16000, 32000, 44100, 48000 sampling frequency. G.711A only support 8000 sampling frequency.

- **Multiple Network Protocol:** Support ONVIF, GB/T28181, RTSP, RTMP 、 **NDI (optional)** protocols; Support RTMP push mode, easy to be connected to streaming server (Wowza, FMS); Support RTP multicast mode; Support network full command VISCA control protocol.
- **Control Jack:** RS485, RS232; RS232 supports for cascading and easier to operate.
- **Multiple Control Protocols:** Support VISCA, PELCO-D, PELCO-P protocols; Support automatic identification protocols.
- **Quiet Pan / Tilt Movement:** With high accuracy step driving motor, camera can pan / tilt extremely quiet and smooth.
- **Multiple Presets:** Up to 255 presets (10 presets via remote control).
- **Multiple Applications:** Online-education, Lecture Capture, Webcasting, Video conferencing, Tele-medicine, Unified Communication, Emergency command and control systems, etc.

Technical Specification

Parameter/Model	12X (E3)	20X (E2)	30X (E4)
Camera Lens			
Image Sensor	1/2.8 inch high quality HD CMOS sensor		
Effective Pixel	16:9, 2.07 megapixel		
Video Signal	HDMI/SDI: 1080P60/50/30/25/59.94/29.97; 1080I60/50/59.94; 720P60/50/59.94/ U2: 320x240/352x288/640x360/640x480/704x576/704x480/720x576/800x448/800x600/960x540/1024x576/1024x768/1280x720/1920x1080P30/25/20/15/10/5		
Optical Zoom	12X f=4.1~49.2mm	20X f = 5.05~101mm	30X f = 5.2~148.4mm

Viewing Angle	6.57° (N) 70.28° (W)	3.45° (N) 60.05° (W)	2.1° (N) 58.1° (W)
Iris	F1.8 – F2.68	F1.8 – F2.9	F1.3 – F4.8
Digital Zoom	X10		
Minimum Illumination	0.5Lux(F1.8, AGC ON)		
DNR	2D & 3D		
White Balance	Auto/Manual/One-push/3000K/3500K/4000K/4500K/5000K/5500K/6000K/6500K/7000K		
Focus	Auto/Manual/One-push		
Iris Mode	Auto/Manual		
Electronic Shutter	Auto/Manual		
BLC	On/off		
Dynamic Range	Off, Dynamic Level Adjustment		
Video Adjustment	Brightness, Chromaticity, Saturation, Contrast, Sharpness, Black And White Mode, Gamma Curve		
SNR	>55dB		

Table1-1 Interface Parameter

Interface Parameter	
Interfaces	HDMI、SDI、LAN(POE)、USB2.0、A-IN、RS232-IN、RS232-OUT、RS485、Rotary Dip、DC12V Power Supply
Video Output	HDMI、SDI、LAN、USB2.0
Video Compression Format	LAN: H.264, H.265 USB 2.0: MJPG, H264, H265, YUY2, NV12
Audio Input	Double track 3.5mm linear input;

Interface	
Audio Output Interface	HDMI、LAN、USB2.0
Audio Compression Format	AAC, MP3, G.711A
LAN Interface	100M LAN port, support POE power supply, support audio and video output.
Network Protocol	RTSP, RTMP, ONVIF, GB/T28181, support remote upgrade, remote reboot, remote reset
Control Interface	RS232-IN, RS232-OUT, RS485
Serial Port Communication Protocols	VISCA/Pelco-D/Pelco-P; Support Baudrate: 115200/38400/9600/4800/2400
USB Communication Protocol	UVC (Video Communication Protocol) , UAC (Audio Communication Protocol)
Power Supply	HEC3800 Power Socket(DC12V)
Power Adapter	Input: AC110V~AC220V ; Output: DC12V/1.5A
Input Voltage	DC12V±10%
Input	<1A
Consumption	<12W

Table1-2 PTZ Parameter

PTZ Parameter	
Pan Move	-170°~+170°
Tilt Move	-30°~+90°

Pan Speed	0.1°/s~60°/s
Tilt Speed	0.1°/s~30°/s
Preset Speed	Pan: 60°/s, Tilt: 30°/s
Preset Quantity	Up to 255 preset (10 via remote control)

Table1-3 Other Parameter

Other Parameter	
Storage Temperature	-10°C~+60°C
Storage Humidity	20%~95%
Working Temperature	-10°C~+50°C
Working Humidity	20%~80%
Dimension	181 (L) mm×115mm (W) ×149mm (D)
Weight	1.2kg
Environment	Indoors

Table1-4 Accessory Parameter

Accessory	
Supplied Accessory	Power Adapter, RS232 Control Cable, Remote Control, User Manual.
Optional Accessory	Mounting Bracket

Dimension

