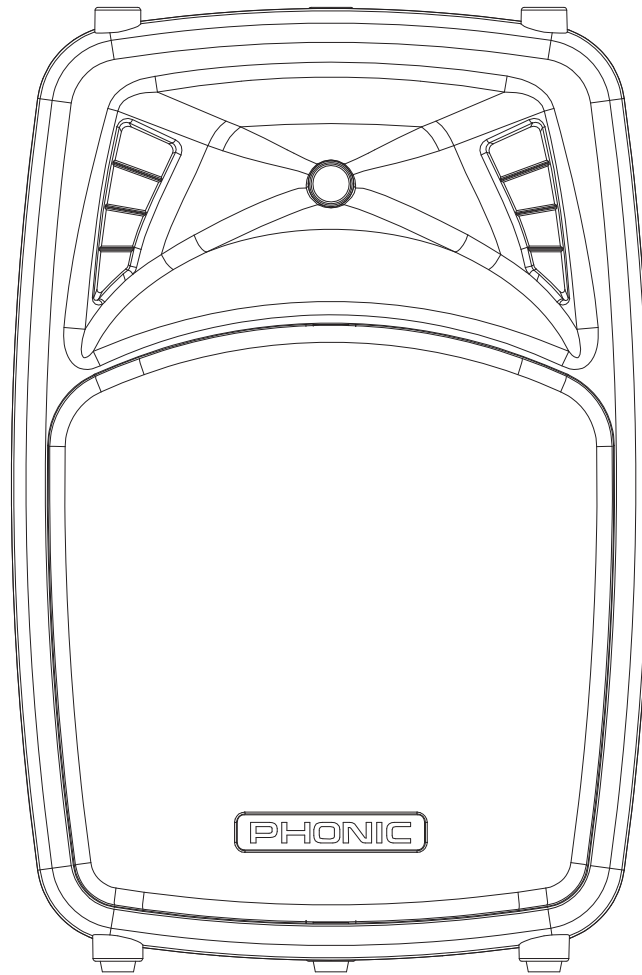


PHONIC



WWW.PHONIC.COM

JUBI 12AR
JUBI 15AR

- User's Manual
- Manual de Usuario

JUBI 12AR

JUBI 15AR

2-WAY ACTIVE LOUDSPEAKERS



ENGLISHI
ESPAÑOLII
APPENDIXIII

USER'S MANUAL

CONTENTS

INTRODUCTION.....	1
FEATURES.....	1
APPLICATION.....	1
PLAYBACK.....	1
RECORD.....	1
SYSTEM OVERVIEW.....	2
SPECIFICATIONS.....	3
APPENDIX	
DIMENSIONS.....	1

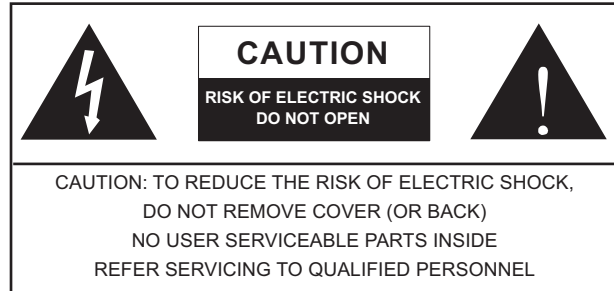
Phonic preserves the right to improve or alter any information within this document without prior notice.

IMPORTANT SAFETY INSTRUCTIONS

The apparatus shall not be exposed to dripping or splashing and that no objects filled with liquids, such as vases, shall be placed on the apparatus. The MAINS plug is used as the disconnect device, the disconnect device shall remain readily operable.

Warning: the user shall not place this apparatus in the confined area during the operation so that the mains switch can be easily accessible.

1. Read these instructions before operating this apparatus.
2. Keep these instructions for future reference.
3. Heed all warnings to ensure safe operation.
4. Follow all instructions provided in this document.
5. Do not use this apparatus near water or in locations where condensation may occur.
6. Clean only with dry cloth. Do not use aerosol or liquid cleaners. Unplug this apparatus before cleaning.
7. Do not block any of the ventilation openings. Install in accordance with the manufacturer's instructions.
8. Do not install near any heat sources such as radiators, heat registers, stoves, or other apparatus (including amplifiers) that produce heat.
9. Do not defeat the safety purpose of the polarized or grounding-type plug. A polarized plug has two blades with one wider than the other. A grounding type plug has two blades and a third grounding prong. The wide blade or the third prong is provided for your safety. If the provided plug does not fit into your outlet, consult an electrician for replacement of the obsolete outlet.
10. Protect the power cord from being walked on or pinched particularly at plug, convenience receptacles, and the point where they exit from the apparatus.
11. Only use attachments/accessories specified by the manufacturer.
12. Use only with a cart, stand, tripod, bracket, or table specified by the manufacturer, or sold with the apparatus. When a cart is used, use caution when moving the cart/apparatus combination to avoid injury from tip-over.
13. Unplug this apparatus during lightning storms or when unused for long periods of time.
14. Refer all servicing to qualified service personnel. Servicing is required when the apparatus has been damaged in any way, such as power-supply cord or plug is damaged, liquid has been spilled or objects have fallen into the apparatus, the apparatus has been exposed to rain or moisture, does not operate normally, or has been dropped.



The lightning flash with arrowhead symbol, within an equilateral triangle, is intended to alert the user to the presence of uninsulated "dangerous voltage" within the product's enclosure that may be of sufficient magnitude to constitute a risk of electric shock to persons.



The exclamation point within an equilateral triangle is intended to alert the user to the presence of important operating and maintenance (servicing) instructions in the literature accompanying the appliance.

WARNING: To reduce the risk of fire or electric shock, do not expose this apparatus to rain or moisture.

CAUTION: Use of controls or adjustments or performance of procedures other than those specified may result in hazardous radiation exposure.



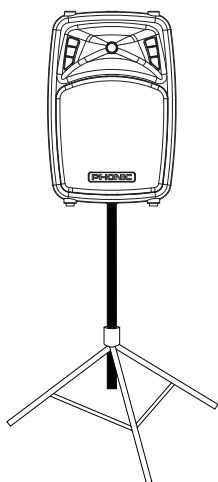
INTRODUCTION

Congratulations on your purchase of the Phonic Jubi 12AR or Jubi 15AR active loudspeakers. The Jubi's 700 Watt (continuous) amplifier uses both Class D and AB technology to produce up to a shattering 126 dB maximum SPL. This provides sufficient power for a wide range of venues, large and small. Jubi's stylish polymer enclosure also improves acoustical accuracy by minimizing distortion and diffraction. Finally, reliability and durability was the paramount factor throughout the Jubi's development. With 700 Watts of ground shaking power, a 2-channel on-board mixer, custom engineered transducers, and great versatility, the Jubi active loudspeakers simply excel.

FEATURES

- Remarkable sound, remarkable power, and remarkable style in a lightweight, durable enclosure
- 700 Watts of continuous power using Class D technology
- 126 maximum sound pressure level
- 12" or 15" woofer matched with 1" compression tweeter
- Flat frequency response between 53/56Hz and 20kHz
- 2 channel onboard mixer: mic channel featuring an XLR input and line channel with 1/4" TRS phone jack
- Record audio directly to USB flash drives
- Digital MP3 audio playback from USB flash drives
- Send speaker's main signal off to additional speakers or amplifiers through a balanced XLR output connector
- 4th order phase-accurate Linkwitz-Riley crossover
- 35mm pole mount for extended audience reach
- Impact resistant polymer enclosure with internal bracings
- Tour grade steel grille (1.2 mm)
- Rotary EQ controls for high and low frequency audio

APPLICATION



35mm mounting point

PLAYBACK

The USB player supports WAV, WMA and MP3 playback.

1. Insert an appropriately formatted (FAT32) USB flash drive.
2. On the main menu, select "Playback" and press the PLAY button.
3. Press the PLAY button to play the current track, or the << and >> buttons to skip forward and backwards between tracks.
4. Press the MENU button while in the Playback mode to access the File Browser, Delete File, Repeat Mode and Volume Control functions.
5. Press and hold the MENU button for three seconds to exit playback mode and return to the main menu.

Folders - Freely navigate songs in each folder on USB flash disc using the << and >> buttons. Press PLAY button to select, press MENU button to go back.

Repeat Mode - There 4 repeat modes available.

No Repeat - Play each file in the current folder or root for once.

Repeat one - Constantly repeat selected song.

Repeat Folder - Constantly repeat all the song in the certain folder or root.

Random - Enables random playback of files in current folder or root.

RECORD

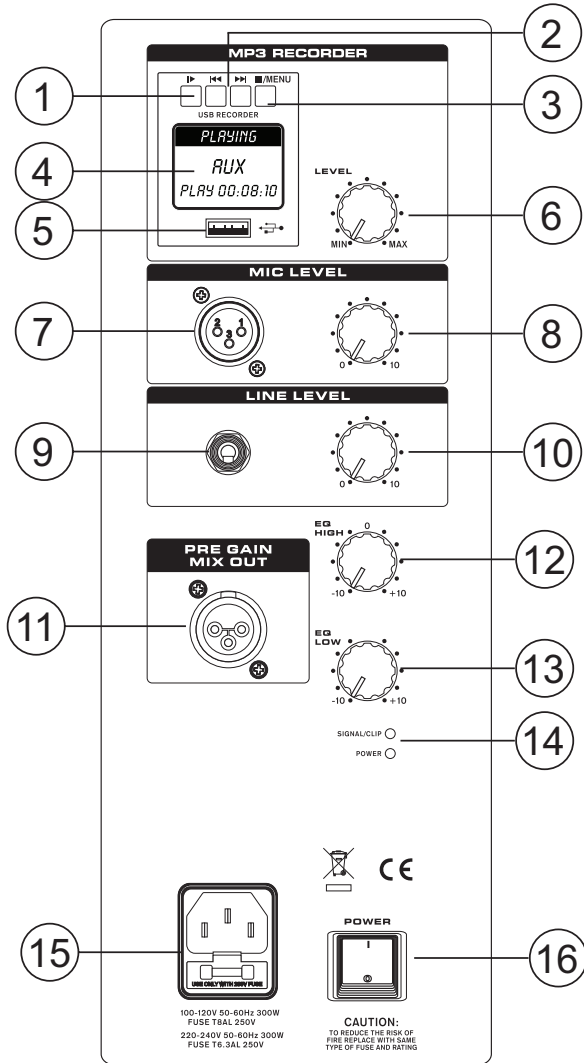
Users can record high quality WAV format.

1. Insert an appropriately formatted (FAT32) USB flash drive.
2. In the main menu, select "Record" and press the PLAY button to enter recording mode.
3. Select between the 128 kbit/s and 192 kbit/s WAV recording modes and press the PLAY button.
4. Record mode will begin in standby/pause. Push the Play/Pause button to begin recording. The unit will save the recorded file into the RECORD directory on the USB device.
5. Push the Play/Pause button to pause recording. Pushing the Play/Pause button again will resume recording from the position at which it was paused.
7. Press the MENU button at any time to save the recording. Once the recording is saved, the system will automatically skip to the next track.
8. To exit out of the playback mode and return to the main menu, press and hold MENU button for three seconds.

NOTE:

1. The MP3 Recorder rotary control will adjust the playback level only and will not affect recording levels. The only level controls that will affect the recording level are those found on the individual Mic and Line input channels.
2. Users may experience very short instances of drop outs during playback of recorded WAV files.

SYSTEM OVERVIEW



1. Play/Pause Button

Push this button to start and stop playback and recording of the currently displayed track. Starting a track after it is paused will resume the track from the point at which it was paused (in both record and playback mode). This button also doubles as the “select” button when navigating menus.

2. Return/Skip Buttons

Pushing these buttons will allow users to skip ahead and back between tracks in sequence. They’re also used for navigating menus.

3. Stop/Menu Button

Push this button to stop the currently playing or recording track. When pushed and hold, this button will allow access to the recording module’s menu. The menu allows users to select playback and recording modes, a number of different repeat modes, the ability to delete files from USB flash discs, and a level control for playback signals.

4. Display

This small LCD display will show the track number currently being played or details on your current recording. It also offers play, pause and record indicators to the left of the display. When in playback mode, the screen will indicate the type of file type the unit is currently playing: wav or mp3.

5. USB Port

Connect your USB flash drive to this input. Once a drive is connected, the files will initiate and you will be able to play or record files.

6. USB Level Control

This control adjust the final signal level from the USB player to the main mix.

7. XLR Input Jacks

Jubi speakers are design to accept microphone level signals through XLR jacks (balanced or unbalanced). The level of this input’s signal is affected by the mic/line volume control.

8. Mic/Line Volume Control

This control allows you to adjust the incoming signal from the Mic input jacks. Setting them to the left-most position (-∞ dB) will completely cut the incoming signal, whereas the right-most position will add 10dB of boost to the signal.

9. Line Input Jack

This balanced ¼” phone jack accepts line-level signals from external devices. The incoming signal level can be adjusted using the line volume control.

10. Line Volume Control

This control allows you to adjust the incoming signal from the both the line input and RCA input jacks. Setting them to the left-most position (-∞ dB) will completely cut the incoming signals, whereas the right-most position will add 10dB of boost to the signals.

11. Line Output

The XLR line output will send the final mix of the channel 1 and 2 input signals, allowing the signals to be employed by additional speakers or other devices. Do not under any circumstances connect this output connector to the input of the same unit. This will cause an audio loop at frequencies and levels that will be extremely unpleasant.

12. EQ High

This control gives the user control of high frequencies (12kHz) in their audio. This allows for a total of 10 dB of boost or cut.

13. EQ Low

This control gives the user control of low frequencies (80Hz) in their audio. This allows for a total of 10 dB of boost or cut.

14. LED Indicators

When any signal is received through the Jubi, the channel’s Sig/Clip indicator will light up green. When that signal then reaches high peaks, slightly before the onboard limiter kicks in, it will then flash red. In this event, we suggest lowering the output level of your source signal. The Power LED underneath the Sig/Clip LED will light up blue when the power is on.

15. AC Power Connector

Connect the included AC power cable to this connector and into a suitable power source allowing the unit to be powered. This connector also contains the Jubi’s fuse. If the fuse blows, please replace it with an identical fuse.

16. Power Switch

This switch will turn the Jubi speaker on and off.

SPECIFICATIONS

	Jubi 12AR	Jubi 15AR
Amp Type	Tweter: Class AB Woofer: Class D	Tweter: Class AB Woofer: Class D
Continuous Power	700 Watts	700 Watts
Peak Power	1400 Watts	1400 Watts
Minimum THD	0.01%	0.01%
Maximum SPL	126dB	126dB
Frequency Response	56 Hz - 20 kHz	53 Hz - 20 kHz
LF Size	12"	15"
LF-Magnet Material	Ferrite	Ferrite
LF-VC Diameter	2.6 inch	2.6 inch
HF-Diaphragm Size and Material	1" Titanium	1" Titanium
HF-Magnet Material	Ferrite	Ferrite
Horn Coverage Pattern	95 degree	95 degree
Input Connectors	XLR & 1/4" TRS	XLR & 1/4" TRS
Output Connectors	XLR	XLR
EQ	High (12kHz) / Low (80Hz)	High (12kHz) / Low (80Hz)
Crossover Type	Precisely tuned crossover	Precisely tuned crossover
MP3 Audio	USB (Record + Playback)	USB (Record + Playback)
LED Indicators	Power / Clip	Power / Clip
Enclosure Material	Polymer	Polymer
Grille Gauge	1.2 mm	1.2 mm
Handle Material / Positions	2 on sides	2 on sides
Monitor position	Yes - Two sides	Yes - Two sides
Suspension / Mounting	Stand mounting with 35mm pole socket	Stand mounting with 35mm pole socket
Dimensions (HxWxD)	559 x 370 x 277 mm (22" x 14.56" x 10.9")	679 x 450 x 345 mm (26.73" x 17.71" x 13.58")
Net Weight	14.5 kg (32 lbs)	16.7 kg (36.8 lbs)

SERVICE AND REPAIR

For replacement parts, service and repairs please contact the Phonic distributor in your country. Phonic does not release service manuals to consumers, and advice users to not attempt any self repairs, as doing so voids all warranties. You can locate a dealer near you at <http://www.phonic.com/where/>.

WARRANTY INFORMATION

Phonic stands behind every product we make with a no-hassles warranty. Warranty coverage may be extended, depending on your region. Phonic Corporation warrants this product for a minimum of one year from the original date of purchase against defects in material and workmanship under use as instructed by the user's manual. Phonic, at its option, shall repair or replace the defective unit covered by this warranty. Please retain the dated sales receipt as evidence of the date of purchase. You will need it for any warranty service. No returns or repairs will be accepted without a proper RMA number (return merchandise authorization). In order to keep this warranty in effect, the product must have been handled and used as prescribed in the instructions accompanying this warranty. Any tampering of the product or attempts of self repair voids all warranty. This warranty does not cover any damage due to accident, misuse, abuse, or negligence. This warranty is valid only if the product was purchased new from an authorized Phonic dealer/distributor. For complete warranty policy information, please visit <http://www.phonic.com/warranty/>.

CUSTOMER SERVICE AND TECHNICAL SUPPORT

We encourage you to visit our online help at <http://www.phonic.com/support/>. There you can find answers to frequently asked questions, tech tips, driver downloads, returns instruction and other helpful information. We make every effort to answer your questions within one business day.

FCC Caution: To assure continued compliance, any changes or modifications not expressly approved by the party responsible for compliance could void the user's authority to operate this equipment. (Example - use only shielded interface cables when connecting to computer or peripheral devices).

THIS DEVICE COMPLIES WITH PART 74 OF THE FCC RULES. This equipment complies with FCC RF radiation exposure limits set forth for an uncontrolled environment.



support@phonic.com
<http://www.phonic.com>

PHONIC

MANUAL DEL USUARIO



CONTENIDO

INTRODUCCIÓN.....	1
CARACTERÍSTICAS.....	1
APLICACIONES.....	1
REPRODUCCIÓN.....	1
REGISTRO.....	1
DESCRIPCIÓN GENERAL DEL SISTEMA.....	2
ESPECIFICACIONES.....	3
APÉNDICE	
DIMENSIONES.....	1

Phonic se reserva el derecho de mejorar o alterar cualquier información dentro de este documento, sin previo aviso.

INSTRUCCIONES DE SEGURIDAD

1. Lea estas instrucciones antes de operar este aparato.
2. Mantenga este instructivo para futuras referencias.
3. Preste atención a todas las advertencias para asegurar una operación adecuada.
4. Siga todas las instrucciones indicadas en este instructivo.
5. No utilice este aparato cerca del agua o en lugares donde se puedan dar condensaciones.
6. Limpie solamente con lienzos secos. No utilice aerosol ni limpiadores líquidos. Desconecte este aparato antes de limpiarlo.
7. No bloquee ninguna de las aberturas de ventilación. Instale según las instrucciones del fabricante.
8. No lo instale cerca de cualquier fuente de calor como radiadores, registros de calor, estufas, u otro aparato (incluyendo amplificadores) que produzcan calor.
9. No deshaga la opción de seguridad del plug polarizado o aterrizado. Una clavija polarizada tiene dos cuchillas una más grande que la otra. Una clavija del tipo polarizado tiene dos cuchillas y un diente. La cuchilla más ancha o el tercer diente esta incluido para su seguridad. Si esta clavija no se acomoda en su toma corriente, consulte un electricista para que cambie el toma corriente obsoleto.
10. Proteja el cable de electricidad de ser pisado o picado particularmente en la clavija, los receptáculos y en el punto donde estos salgan del aparato. No pise los cables de alimentación de AC.
11. Utilice solamente accesorios o demás cosas especificadas por el fabricante.
12. Transporte solamente con un carro, pedestal, tripie abrazaderas o mesas especificadas por el fabricante, o incluidas con el aparato. Si se utiliza un carro, tenga precaución cuando mueva el carro con el aparato para evitar lesiones de cualquier tipo.
13. Desconecte este aparato durante tormentas eléctricas o cuando no se ocupe en periodos largos de tiempo.
14. Refiera todo el servicio al personal calificado. Se requiere de servicio cuando el aparato a sido dañado en cualquier manera, por ejemplo cuando el cable de alimentación de voltaje o la clavija han sido dañados, si se ha derramado liquido o si algun objeto a caido en el aparato, o si el aparato ha sido expuesto a la lluvia o a la humedad, no funcione normalmente o si ha sufrido una caída.

	PRECAUCION RIESGO DE SHOCK ELECTRICO NO ABRIR	
<p>PRECAUCION: PARA REDUCIR EL RIESGO DE SHOCK ELECTRICO NO REMUEVA LA TAPA (O LA CUBIERTA) NO HAY REFACCIONES DENTRO MANDE A SERVICIO CON EL PERSONAL CALIFICADO</p>		



El simbolo con una flecha encerrado en un triangulo equilátero, es para alertar al usuario de la presencia de "voltaje peligroso" no aislado dentro del chasis del producto que pudiera ser de magnitud suficiente para constituir un riesgo de shock eléctrico a las personas.



El punto de exclamación dentro de un triangulo equilátero es para alertar al usuario de la presencia de instrucciones importantes de operación y mantenimiento (servicio) en la literatura que acompaña el equipo.

ADVERTENCIA: Para reducir el riesgo de shock o fuego eléctrico no exponga este aparato a la lluvia o a la humedad.

PRECAUCION: No use controles, ajustes, no realice procedimientos diferentes a los especificados, esto puede resultar en una peligrosa exposición a la radiación.



PHONIC

INTRODUCCIÓN

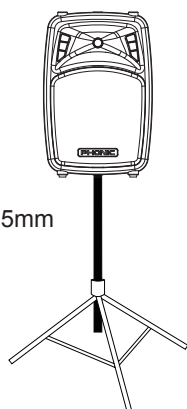
Felicitaciones por la compra de los altavoces activos Phonic Jubi 12AR o 15AR de Jubi (Continuous) de 700 vatios utiliza tecnología de clase D para producir un aplastante 126dB SPL máximo, proporcionando suficiente energía para una amplia gama de tipos y tamaños de conciertos.. Un diseño ligero y montajes en poste robustos hacen que el Jubi sea el más versátil altavoz activo, portátil actual. Los ingenieros de Phonic diseñaron un woofer de alta factor potencia BL y un tweeter de compresión de 1" para lograr un entorno acústico asombrosamente amplio y lograr una transparencia de sonido característica a Jubi. Un recinto de polímero cuidadosamente elaborado con curvaturas verticales para mejorar la precisión acústica, reduciendo al mínimo la difracción interna. Por último, la fiabilidad y la durabilidad fueron el factor primordial en todo el desarrollo del altavoz Jubi. Con de 700 vatios de potencia, un mezclador de 2 canales a bordo, transductores diseñados a la medida, y una increíble versatilidad, el Jubi 12AR y 15AR de Phonic son altavoces a tener en cuenta.

CARACTERÍSTICAS

- Sonido y potencia increíble y un estilo único en un recinto ligero y durable
- 700 vatios de potencia (continuous) utilizando tanto la clase AB y las tecnologías de D
- Niveles de presión sonora máxima de 126 dB
- Woofer de 12" o 15" emparejado con un tweeters de compresión
- Respuesta de frecuencia plana entre 53/56Hz y 20kHz
- 2 canales mic/línea de mezcla a bordo: consiste en tomas combo y el canal de línea TRS de 6.35mm y conectores estéreo RCA
- Grabación de audio directamente a las unidades flash USB
- Reproducción de audio digital MP3 desde unidades flash USB
- Envío de señal principal a altavoces o amplificadores adicionales a través de un conector de salida XLR balanceada
- Orden de cuarta fase con precisión de Linkwitz-Riley
- Montaje de 35 mm en poste para llegar a una audiencia ampliada
- Recinto polímero resistente a impactos con refuerzos internos incluidos
- Rejilla de acero (1,2 mm) parte frontal (protección adicional del cono del altavoz)
- Controles Rotativos de ecualización de audio de alta y baja frecuencia

APLICACIONES

Barra de montaje de 35mm



REPRODUCCIÓN

El reproductor es compatible con USB WAV, WMA, MP3 y reproducción a través de USB

1. Inserte un formato adecuado (FAT32) unidad flash USB.
2. En el menú principal, seleccione "Reproducir" y pulse el botón PLAY.
3. Pulse el botón de PLAY para reproducir la pista actual, o los botones << y >> para saltar hacia adelante y hacia atrás entre las pistas.
4. Pulse el botón MENU en el modo de reproducción para acceder al explorador de archivos, eliminar archivos, Modo de repetición y las funciones de control de volumen.
5. Mantenga pulsado el botón MENU durante tres segundos para salir del modo de reproducción y volver al menú principal.

Archivos- Libremente navegar por las canciones en cada archivo en el disco USB flash con los botones << y >>. Presione el botón PLAY para seleccionar, pulse el botón MENU para volver atrás.

Modo de repetición - Hay 4 modos de repetición disponibles.

No se repiten/ No repeat - Juega cada pista en el archivo actual, por una vez.

Repetir una/Repeat one - Constantemente repetir la canción seleccionada.

Repetir Archivo/Repeat Folder - Constantemente repite toda la canción en el Archivo determinado

Aleatorio/ Random - Permite la reproducción aleatoria de los archivos de la carpeta actual o de la raíz.

REGISTRO

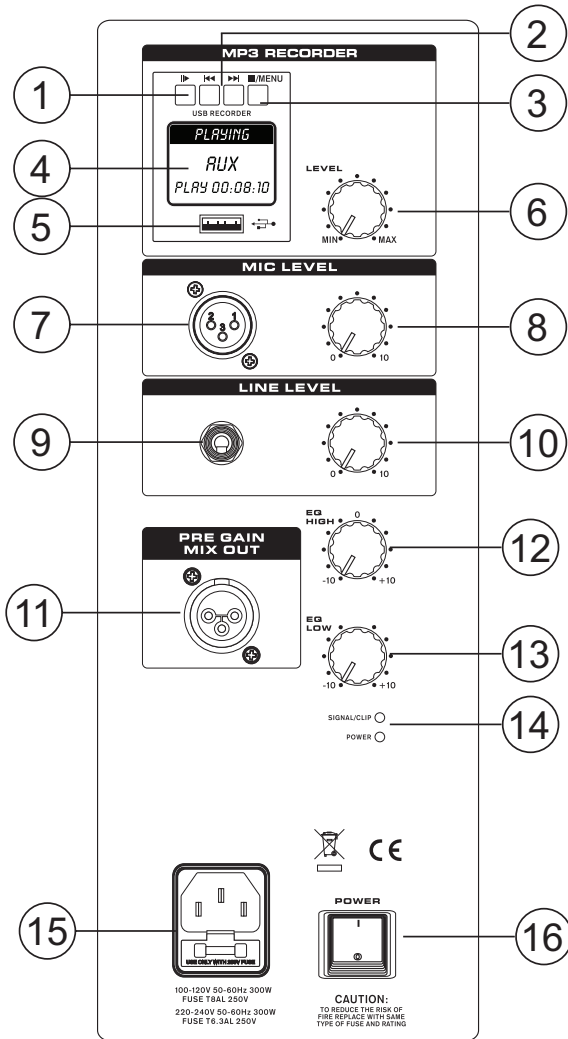
Los usuarios pueden grabar alta definición en formato WAV.

1. Inserte un formato adecuado (FAT32) unidad flash USB.
2. En el menú principal, seleccione "Grabar" y pulse el botón PLAY para entrar en el modo de grabación.
3. Seleccione entre los modos de grabación 128 kbit / s y 192 kbit / s WAV y pulse el botón PLAY.
4. El modo de grabación se iniciará en modo de espera / pausa. Pulse el botón de reproducción / pausa para iniciar la grabación. La unidad se guarda el archivo grabado en el directorio de registros en el dispositivo USB.
5. Pulse el botón Play / Pause para pausar la grabación. Al pulsar el botón Reproducir / Pausa volverá a reanudar la grabación desde la posición en la que se detuvo.
6. Pulse el botón MENU en cualquier momento para guardar la grabación. Una vez que la grabación se guarda, el sistema automáticamente se saltará a la pista siguiente.
7. Para salir del modo de reproducción y volver al menú principal, presione y mantenga el botón MENU durante tres segundos

NOTA:

1. El control USB giratorio ajustará el nivel de reproducción solamente y no afectará los niveles de grabado. Solamente los controles de nivel afectarán el nivel de grabado se encuentran en los canales de entrada individuales.
2. Los usuarios pueden experimentar interrupciones muy cortas durante la reproducción de archivos WAV grabados.

DESCRIPCIÓN GENERAL DEL SISTEMA



1. Reproducir / Pausa

Pulse este botón para iniciar y detener la reproducción y la grabación de la pista que se muestra actualmente. A partir de una pista, después de que se haya detenido, se reanudará la pista desde el punto en el que se hizo la pausa (en ambos modos Grabación y Reproducción).

2. Retorno / Salto Botones

Al pulsar estos botones, se permite a los usuarios saltar hacia adelante y hacia atrás entre las pistas en secuencia.

3. Detener / Menú

Pulse este botón para detener la reproducción o grabación de la pista actual. Cuando se pulsa durante varios segundos, este botón permite el acceso al menú del módulo de grabación. El menú permite a los usuarios seleccionar los modos de grabación y reproducción, un número de diferentes modos de repetición, la capacidad de borrar archivos desde discos USB flash, y un control de nivel para las señales de reproducción..

4. Pantalla

Esta pequeña pantalla LCD mostrará el número de pista que se está reproduciendo o los detalles sobre la grabación actual. También ofrece indicadores de reproducción es decir "pausa y grabar" a la izquierda de la pantalla. En el modo de reproducción, la pantalla indicará el tipo de tipo de archivo de la unidad que se está reproduciendo: wav, mp3 o wma.

5. Puerto USB

Conecte su unidad flash USB a esta entrada. Una vez que una unidad está conectada, los archivos se iniciarán y usted será capaz de reproducir o grabar archivos.

6. USB Level Control

Este control ajusta el nivel de la señal definitiva del reproductor de USB a la mezcla principal.

7. Conector Jacks XLR de entrada

Altavoces Jubi están diseñados para aceptar señales de micrófono a través de tomas XLR (simétricas o asimétricas). El nivel de la señal de entrada es afectada por el control de volumen de micrófono / línea.

8. Control de volumen Mic / Línea

Este control le permite ajustar la señal de entrada de los conectores jacks. Estableciendo su valor a la posición más a la izquierda (-∞ dB) cortará completamente la señal entrante, mientras que la posición más a la derecha a añadirá 10 dB de aumento en la señal.

9. Jack de entrada de línea

Este Jack equilibrado de 6.35mm acepta señales de nivel de línea de dispositivos externos. El nivel de la señal entrante se puede ajustar con el control de volumen en línea.

10. Control de volumen

Este control le permite ajustar la señal de entrada desde los conectores RCA. Estableciendo su valor a la posición más a la izquierda (-∞ dB) cortará completamente las señales entrantes, mientras que la posición más a la derecha añadirá 10 dB de impulso a las señales.

11. Línea de salida

La salida de línea XLR enviará la mezcla final del canal 1 y 2 permitiendo que las señales sean empleadas por altavoces adicionales u otros dispositivos. Bajo ninguna circunstancia conectar este conector de salida a la entrada de la misma unidad. Esto provocará un bucle de audio en frecuencias y niveles que serán muy desagradables.

12. EQ High

Este control da al usuario el control de las altas frecuencias (12 kHz) en su audio. Esto permite un total de 10 dB de aumento o corte.

13. EQ Low

Este control da al usuario el control de frecuencias bajas (80 Hz) en su audio. Esto permite un total de 10 dB de aumento o corte.

14. Los indicadores LED

Cuando cualquier señal se recibe a través del Jubi, el indicador de canal Sig / Clip se iluminará en verde. Cuando la señal llega entonces a picos altos, (un poco antes que limitador incorporado sea activado), entonces parpadeará en rojo. En este caso, se sugiere reducir el nivel de salida de la señal de origen. El LED debajo del LED Sig / Clip se ilumina en azul cuando la unidad está encendida.

15. Conector de alimentación CA

Conectar el cable de alimentación de CA a este conector y en una fuente de energía adecuada que permita que la unidad se alimenta. Este conector también contiene el fusible de Jubi. Si el fusible se funde, por favor replácelo con un fusible idéntico.

16. Interruptor de encendido

Este interruptor activa el altavoz Jubi.

ESPECIFICACIONES

	JUBI 12AR	JUBI 15AR
Tipo de AMP	Biamp Tweeter: Clase AB Woofers: Clase D	Biamp Tweeter: Clase AB Woofers: Clase D
Continuous Potencia	700 vatios	700 vatios
Peak Potencia	1400 vatios	1400 vatios
Máximo SPL	126 dB	126 dB
Respuesta de Frecuencia	56 Hz - 20 kHz	53 Hz - 20 kHz
Tamaño LF	12"	15"
LF-Material del Imán	Ferrito	Ferrito
LF-VC Diámetro	2,6 pulgadas	2,6 pulgadas
HF-Tamaño de Diafragma y Material	1" de titanio	1" de titanio
HF-Material del Imán	Ferrito	Ferrito
Horn Patrón de Cobertura	95 grado	95 grado
Conectores de Entrada	XLR, 1/4" TRS	XLR, 1/4" TRS
Conectores de Salida	XLR	XLR
EQ	Alta (12 kHz) / Bajo (80 Hz)	Alta (12 kHz) / Bajo (80 Hz)
Tipo de Crossover	Precision Tune de crossover	Precision Tune de crossover
Audio MP3	USB (Grabación + Reproducción)	USB (Grabación + Reproducción)
Los Indicadores LED	Encendido / Clip	Encendido / Clip
Material de la Caja	Polipropileno	Polipropileno
Medidor Rejilla	1,2 mm	1,2 mm
Mangos	2 en lados	2 en lados
Monitor de Posición	Si - Dos caras	Si - Dos caras
Suspensión / Montaje	Soporte de montaje de 35 mm polo zócalo	Soporte de montaje de 35 mm polo zócalo
Dimensiones (HxWxD)	559 x 370 x 277 mm (22" x 14.6" x 10.9")	678 x 450 x 345 mm (26.7" x 17.7" x 13.6")
Peso Neto	14.5 kg (32 lbs)	16.7 kg (36.8 lbs)

SERVICIO Y REPARACIÓN

Para refacciones de reemplazo y reparaciones, por favor póngase en contacto con nuestro distribuidor de Phonic en su país. Phonic no distribuye manuales de servicio directamente a los consumidores y, avisa a los usuarios que no intenten hacer cualquier reparación por sí mismo, haciendo ésto invalidará todas las garantías del equipo. Puede encontrar un distribuidor cerca de usted en <http://www.phonic.com/where/>.

INFORMACIÓN DE LA GARANTÍA

Phonic respalda cada producto que hacemos con una garantía sin enredo. La cobertura de garantía podría ser ampliada dependiendo de su región. Phonic Corporation garantiza este producto por un mínimo de un año desde la fecha original de su compra, contra defectos en materiales y mano de obra bajo el uso que se instruya en el manual del usuario. Phonic, a su propia opinión, reparará o cambiará la unidad defectuosa que se encuentra dentro de esta garantía. Por favor, guarde los recibos de venta con la fecha de compra como evidencia de la fecha de compra. Va a necesitar este comprobante para cualquier servicio de garantía. No se aceptarán reparaciones o devoluciones sin un número RMA apropiado (return merchandise authorization). En orden de tener esta garantía válida, el producto deberá de haber sido manejado y utilizado como se describe en las instrucciones que acompañan esta garantía. Cualquier atentado hacia el producto o cualquier intento de repararlo por usted mismo, cancelará completamente esta garantía. Esta garantía no cubre daños ocasionados por accidentes, mal uso, abuso o negligencia. Esta garantía es válida solamente si el producto fue comprado nuevo de un representante/distribuidor autorizado de Phonic. Para la información completa acerca de la política de garantía, por favor visite <http://www.phonic.com/warranty/>.

SERVICIO AL CLIENTE Y SOPORTE TÉCNICO

Le invitamos a que visite nuestro sistema de ayuda en línea en www.phonic.com/support/. Ahí podrá encontrar respuestas a las preguntas más frecuentes, consejos técnicos, descarga de drivers, instrucciones de devolución de equipos y más información de mucho interés. Nosotros haremos todo el esfuerzo para contestar sus preguntas lo antes posible.

FCC Caution: To assure continued compliance, any changes or modifications not expressly approved by the party responsible for compliance could void the user's authority to operate this equipment. (Example - use only shielded interface cables when connecting to computer or peripheral devices).

THIS DEVICE COMPLIES WITH PART 74 OF THE FCC RULES. This equipment complies with FCC RF radiation exposure limits set forth for an uncontrolled environment.

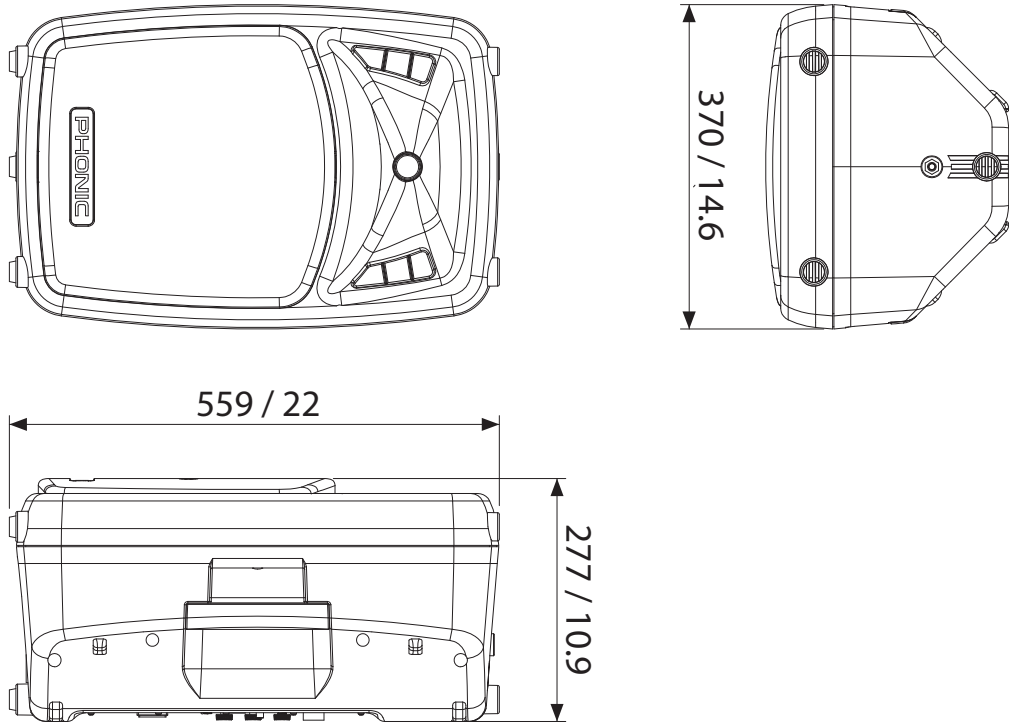


support@phonic.com
<http://www.phonic.com>

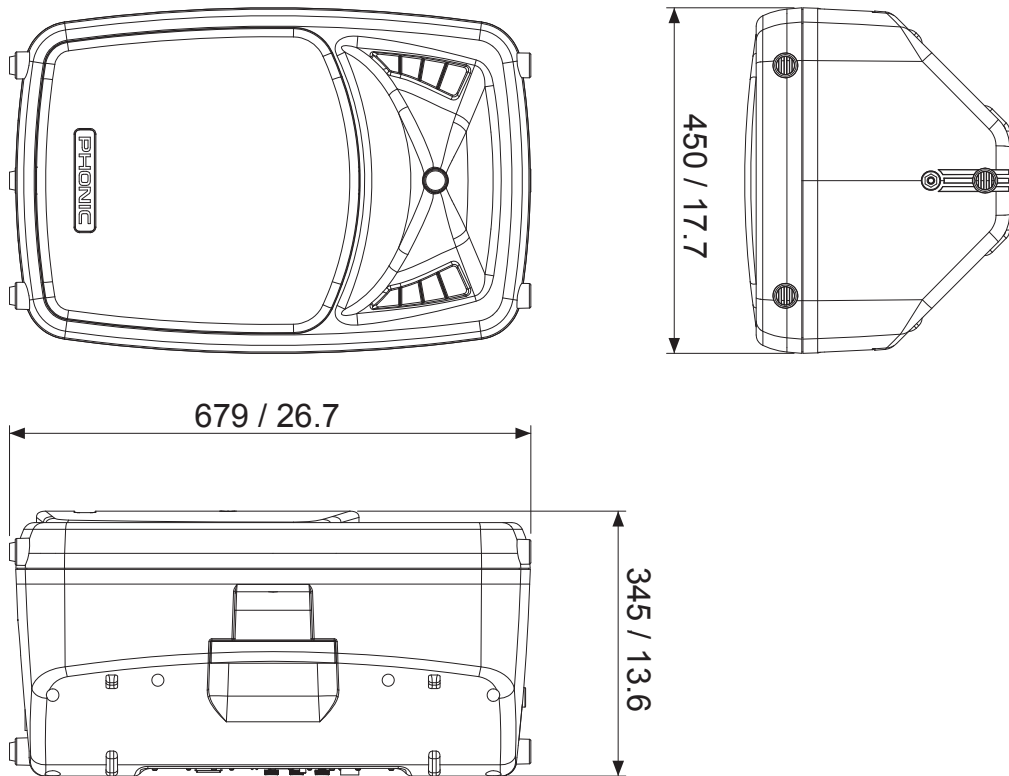
PHONIC

DIMENSIONS DIMENSIONES

Jubi 12AR



Jubi 15AR



Measurements are shown in mm/inches
 Todas las medidas están mostradas en mm/pulgadas.

PHONIC
WWW.PHONIC.COM