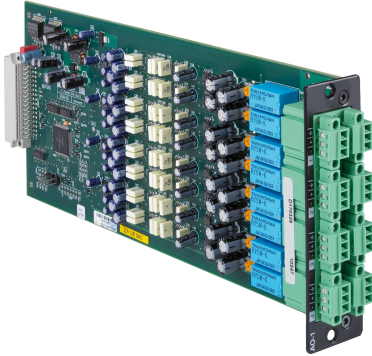


AO-1 Analog Output Module



- 118 dB dynamic range – for best audio performance
- 100 Ω balanced output drivers - lossless signal distribution to several inputs, even over longer cables
- Output relays - power-on delay and quick disconnection for effective suppression of power-on/-off noise. Automatic control of parallel-wired redundant systems
- Automatic configuration – indication (message) of installation and removal of modules via IRIS-Net software
- EN 54-16: 2008

The AO-1 is an eight-channel analog output module for use in an DYNACORD P 64 system. The module offers eight high quality audio signals via screw-lockable Euroblock connectors. A-to-D conversion is taken care of by high performance linear 24-bit converters. Internally the signals are processed in 48-bit word length.

Parts included

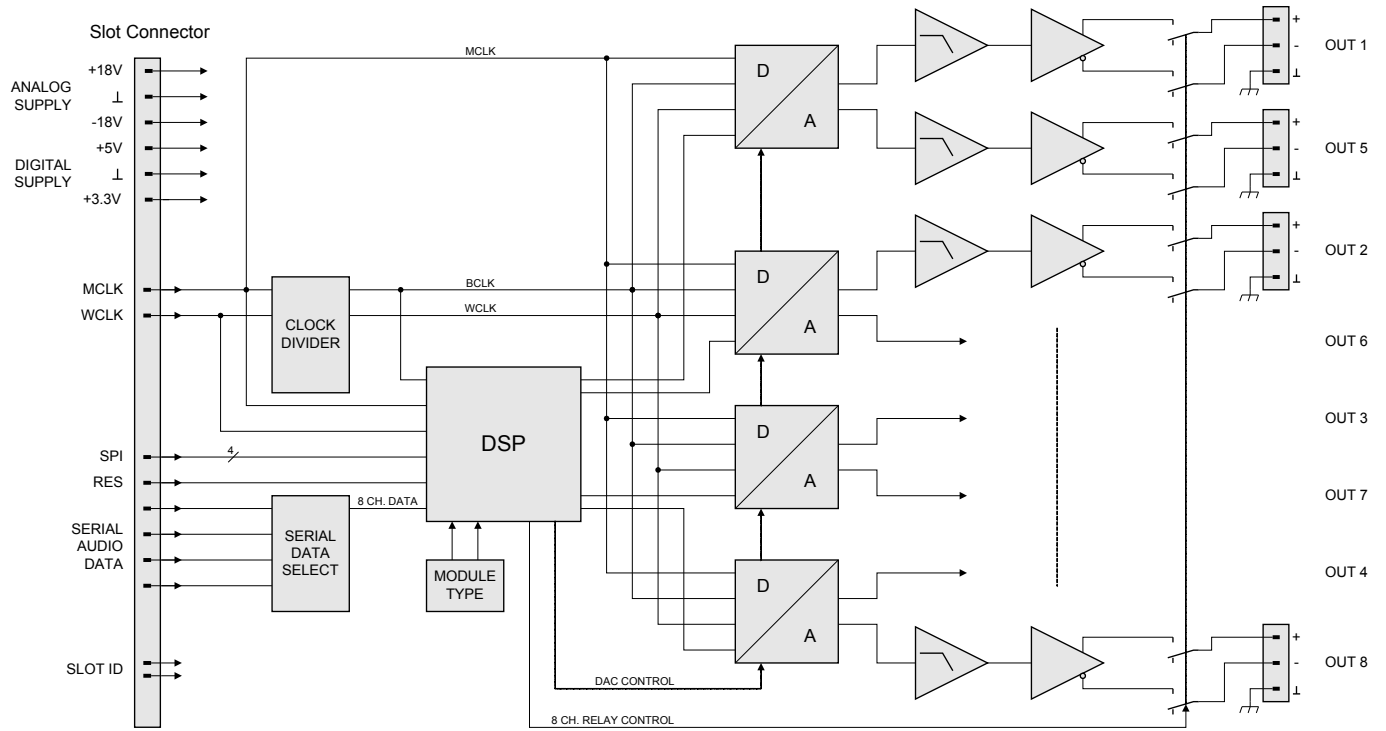
Quantity	Components
1	AO-1 module
8	Euroblock connector 3-pole (Phoenix MC 1,5/ 3-STF-3,81, Nr. 1827716)
2	Screw combination TORX M3x6
1	Data sheet

TORX is a registered trademarks of Acument Intellectual Properties, LLC.

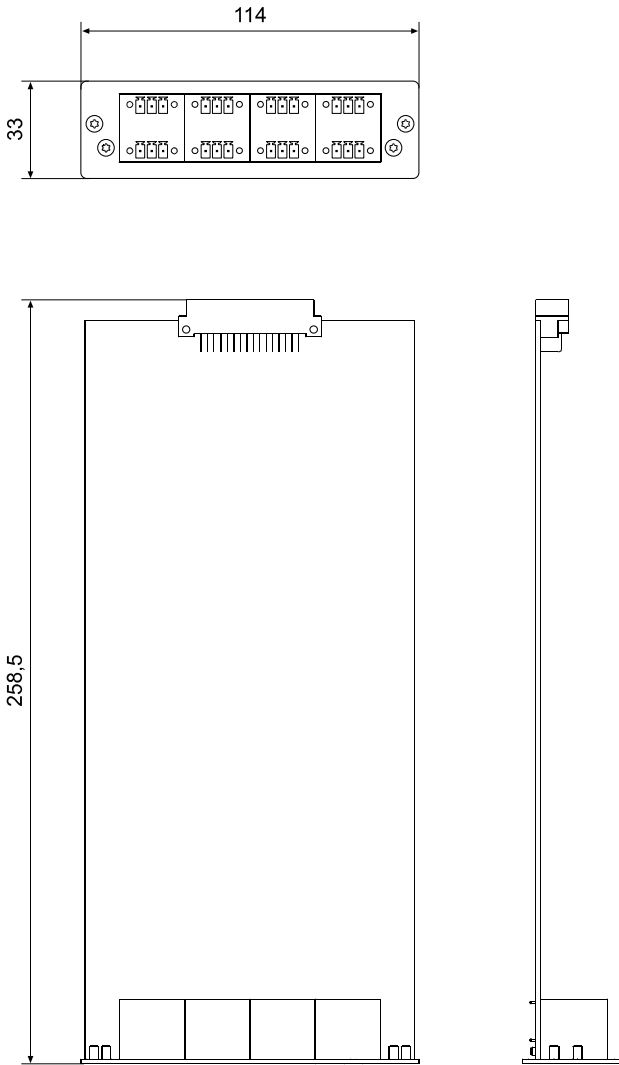
Technical specifications

Supply voltage/current	+3.3 VDC, ± 0.3 V / 140 mA +5 VDC, ± 0.25 V / 190 mA +18 VDC, ± 0.5 V / 270 mA -18 VDC, ± 0.5 V / 160 mA
Audio outputs	8 x 3-pole Euroblock connectors, electronically symmetric
Output level (nominal)	+6 dBu / 1.55 V
Output level (max. before clip)	+21 dBu / 8.7 V
Output impedance	100 k Ω
Min. load impedance	600 k Ω
D/A conversion	24 Bit, Sigma-Delta, 128 times oversampling
Frequency response	20–20000 Hz (-0.5 dB)
Signal-to-noise ratio (A-weighted)	118 dB typical
THD+N	< 0.005%
Sample rate	48 kHz
Data format	24 Bit linear D/A conversion, 48 Bit processing

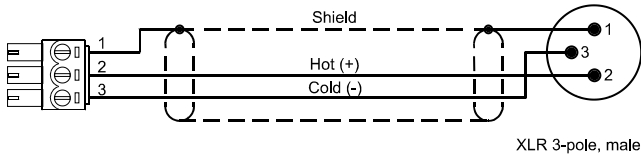
Signal delay	30 Samples = 625 μ s at 48 kHz
Environmental rating	E1, E2, E3
Operating temperature	0 °C to 40 °C
Product dimensions (Width x Height x Depth)	114 x 33 x 258.5 mm
Net weight	260 g



Circuit diagram



Dimensions

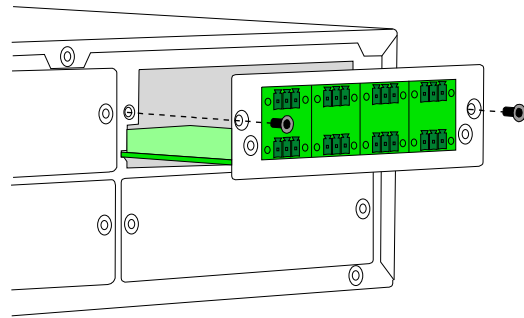


Interconnection cord Euroblock - to - XLR for AO-1 audio outputs

Installation/configuration notes

1. Turn off the power of the unit and pull the mains plug
2. Remove the blind on the rear panel (2 screws)

3. Insert the AO-1 module in the desired slot and secure it with 2 screws on the rear panel (see picture)
4. Plug in the mains cord and turn the unit's power on
5. The unit automatically recognizes the AO-1 module. Eight additional audio outputs can now be used.



Certifications and approvals

EN 54-16: 2008

Ordering information

AO-1 Analog Output Module

8 Channel analog line level output card, 100 MIPS DSP onboard

Order number **F.01U.101.214**

Bosch Sicherheitssysteme GmbH
 Robert-Bosch-Ring 5
 85630 Grasbrunn
 Germany

www.dynacord.com