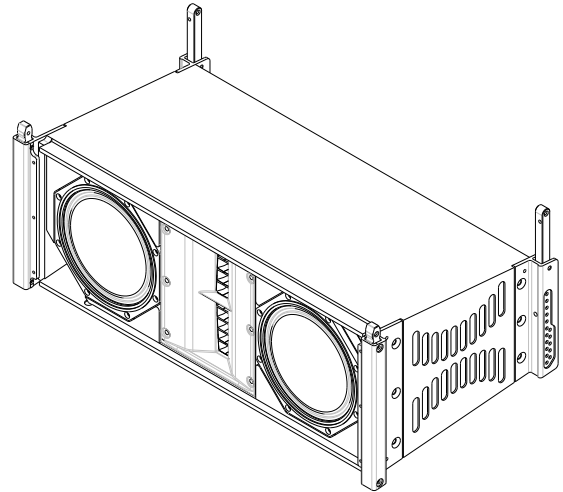


XLD281 3-Way, High-Output, Very Compact Line-Array Element

- Very Compact, Lightweight
- CCT (Coverage Control Technology)
- 120° Horizontal Coverage to 200 Hz
- Bi-Amp or Tri-Amp Operation
- Neodymium Transducers



The XLD281 is a 3-way design using CCT (Coverage Control Technology) to control horizontal coverage to 200 Hz. It uses an 8 inch neodymium LF transducer, an 8 inch neodymium LF/MB transducer, and two neodymium 2 inch voice coil compression drivers combining through 2 hydra plane wave generators into a 120° x 10° waveguide. CCT uses both 8 inch transducers to provide maximum low frequency output and operating bandwidth while controlling horizontal beam width to 200 Hz by using DSP. The XLD281 can be used in tri-amp mode, or in bi-amp using a sophisticated internal passive network. Designed for use in arrays of four or more elements, the XLD281 delivers full bandwidth audio with precise, predictable coverage control. Integrated rigging with hinge points located correctly between array elements is simple to use and quickly provides uncompromised line array performance.

The XLVC family consists of two full-range systems with dual woofers, two full-range systems with single woofers and a subwoofer system. The dual-woofer versions include the XLD281 with a 120° horizontal coverage pattern and the XLD291 with a 90° horizontal coverage pattern. The single-woofer versions include the XLE181 with a 120° horizontal coverage pattern and the XLE191 with a 90° horizontal coverage pattern. The subwoofer module is the XCS312. Most

applications using flown very compact elements require subwoofers integrated into the same array as the full-range systems. XLVC provides three methods to conveniently do this. The XCS312 subwoofer module can be directly arrayed above, or below XLD281 full-range systems. LAPS2 modeling software quickly provides array configurations and rigging information.

X-Line Very Compact delivers unprecedented performance in applications ranging from live reinforcement to performing arts venues to houses of worship.

Technical specifications

Frequency Response (-3 dB):	75 Hz-18 kHz ¹
Frequency Range (-10 dB):	60 Hz-20 kHz ¹
Max Calculated SPL:	137 dB Cont., 143 dB Peak ²
Horizontal Coverage:	120°
Vertical Coverage:	Array Dependant, Software Definable

2 | XLD281 3-Way, High-Output, Very Compact Line-Array Element

Rigging:	Fully Captive Aluminum, 1° increments, 16 elements with 8 to 1 Safety Factor
LF1 Power Handling:	200W Cont., 800W Peak
LF2 Power Handling:	200W Cont., 800W Peak
HF Power Handling:	80W Cont., 320W Peak
Biamp LF1/HF Power Handling:	200W Cont., 800W Peak LF2 - 200W Cont., 800W Peak
Bandpass Frequency:	50 - 250 Hz ³
LF1 to HF Crossover Frequency:	1760 Hz ³
LF 1 Passband:	1 x 8 inch DVN2080, 16 ohms
LF2 Passband:	1 x 8 inch DVN2080, 16 ohms
HF Passband:	2 x ND2S-8, 16 ohms
Biamp LF1/HF Passband:	16 ohms
Connectors:	2 x NL8
Enclosure:	13-ply birch plywood with EVCoat
Grille:	Galvannealed steel with powder coat paint
Environmental Specifications:	IEC 529 IP24, MIL 810
Dimensions (H x W x D):	9.9 in x 28.58 in x 14.52 in (251 mm x 726 mm x 369 mm)
Net Weight:	48 lb (21.8 kg)
Shipping Weight:	51 lb (23.1 kg)

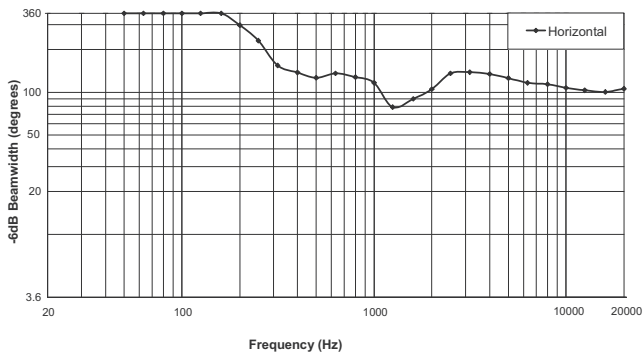
¹Full Space Measurement of four (4) elements.

²Full Space Measurement of HF section of four (4) elements, SPL adjusted for 1 m distance.

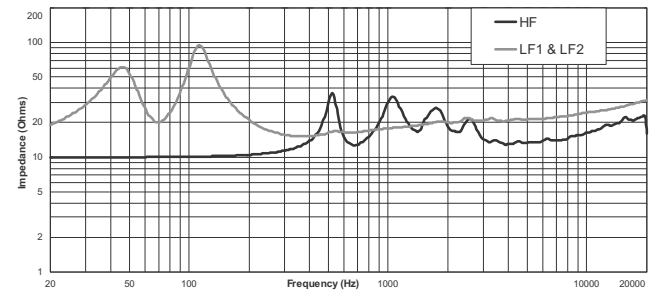
³Use EV signal processing or download presets from Electro-Voice website.

System overview

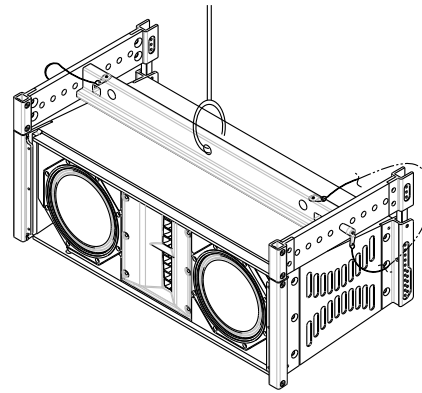
Beamwidth:



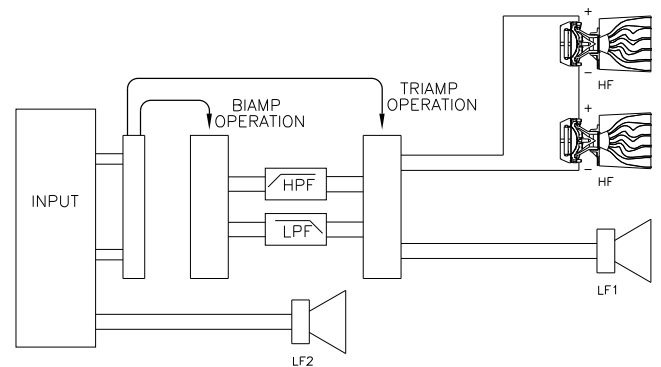
Impedance:



Grid Drawing:



Block Diagram:



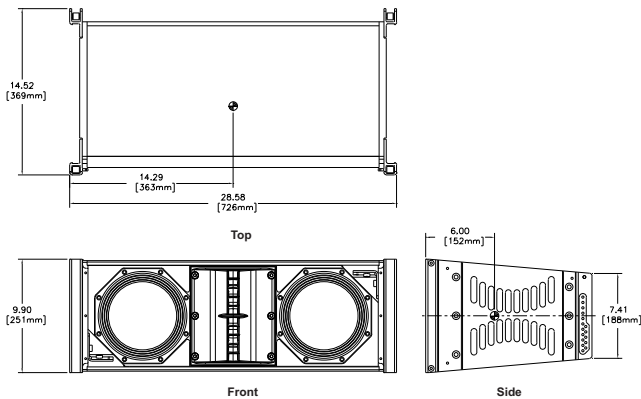
Connection Chart

(Pins 1: Pass Through)

Triamp		Biamp	
LF2:	Pins 2	LF2:	Pins 2
LF1:	Pins 3	LF/HF:	Pins 3
HF:	Pins 4	Pins 4 Pass Through	

3 | XLD281 3-Way, High-Output, Very Compact Line-Array Element

Dimensions:



Compatible System Solutions:

XLD291 90° Full-Range Line Array Element

XCS312 Triple 12 inch Cardioid Compact Controlled-Coverage Bass Element

XLC215 Dual 15" Line Array Bass Element (Requires AGCD)

Compatible System Solutions, Electronics:

CP3000S Precision Series Power Amplifier

CP4000S Precision Series Power Amplifier

TG5 Tour Grade Power Amplifier

TG7 Tour Grade Power Amplifier

Dx46 Digital Sound System Controller

N8000 NetMax 300 MIPS Digital Matrix Controller

Ordering information

XLD281 3-Way, High-Output, Very Compact Line-Array Element Black

XLD Full-range cabinet, 2 x 8", 2 x ND2, bi-amp or tri-amp mode switchable, 120° H/10° V, integrated rigging system, black

Available in EMEA regions only

Order number **EV-XLD281**

XLD281 3-Way, High-Output, Very Compact Line-Array Element Black

XLD Full-range cabinet, 2 x 8", 2 x ND2, bi-amp or tri-amp mode switchable, 120° H/10° V, integrated rigging system, black

Order number **XLD-281-BLKL**

XLD281 3-Way, High-Output, Very Compact Line-Array Element White

XLD Full-range cabinet, 2 x 8", 2 x ND2, bi-amp or tri-amp mode switchable, 120° H/10° V, integrated rigging system, white

Order number **XLD-281-WHTLB**

Accessories

SP8.4 Side Panel Kit

XLD/XS dolly side panel kit for 8 XLD or 4 XCS

Order number **SP8.4**

SP12.6 Side Panel Kit

XLD/XS dolly side panel kit for 12 XLD or 6 XCS

Order number **SP12.6**

XLD Dolly

Transportation dolly for up to 12 x XLD281

Order number **XLD-DOLLY**

XLD Grid

XLD system aluminum grid for up to 16 x XLD281/ XLD291 or 8 x XCS312

Order number **XLD GRID_GLN**

XLD GRID CCA Clear Coated

XLD system aluminum grid for up to 16 x XLD281/ XLD2591 or 8 x XCS312, clear coated

Order number **XLD GRID CCA_GLN**

CBEAM Coupler Beam

Coupler beam for connecting XLD/XLE grids

Order number **CBEAM_GLN**

XGS-4 Groundstack Kit

XGS-4 groundstack kit for XLD or XLE and XCS312

Order number **XGS-4_GLN**

XLVC-BGK Bottom Grid Kit

Bottom grid kit for XLD and XLE systems

Order number **XLVC-BGK_GLN**

XLVC-TAE Tilt Angle Extender

Tilt angle extender for XLD and XLE systems

Order number **XLVC-TAE_GLN**

4 | XLD281 3-Way, High-Output, Very Compact Line-Array Element

Represented by:

Germany:

Bosch Sicherheitssysteme GmbH
Robert-Bosch-Ring 5
85630 Grasbrunn
Germany

Bosch Security Systems, Inc.
12000 Portland Avenue South
Burnsville MN 55337
USA

www.electrovoice.com