

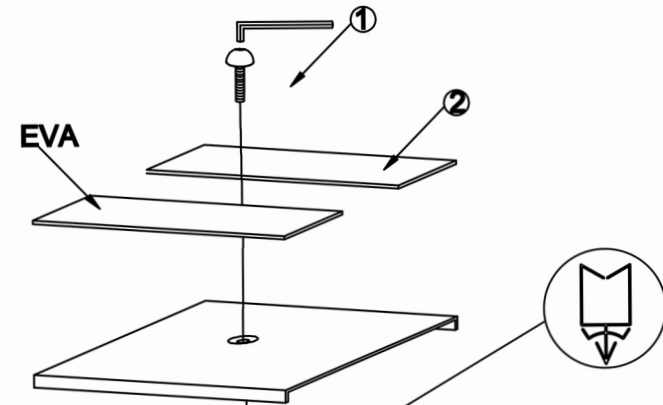
Step 1: Tightening the tube and base with screw and washer.

Step 2: Using the hexagon wrench and screw to fix the top plate and tube.

Step 3: You can stick EVA to the top plate if you like.

Step 4: Choosing the height you need and locking upper moving tube with pin. Tightening the plastic knob.

**Note: You can fix sharp spike or rubber feet under the base
When you adjust the height, you need take away the speaker**



Step 1: Tightening the tube and base with screw and washer.

Step 2: Using the hexagon wrench and screw to fix the top plate and tube.

Step 3: You can stick EVA to the top plate if you like.

Step 4: Choosing the height you need and locking upper moving tube with pin. Tightening the plastic knob.

**Note: You can fix sharp spike or rubber feet under the base
When you adjust the height, you need take away the speaker**

