

SUB 9004-AS

ACTIVE HIGH POWER SUBWOOFER

DESCRIPTION

The SUB 9004-AS is a single 18" high power active subwoofer. It employs a state of the art transducer featuring a hyperventated high power neodymium magnetic circuit with 4" voice coil. The extremely high power amplifier is a new design that delivers extended low frequency performance. Due to its rugged construction it is perfect for AV rental inventories.



FEATURES

- 2800 W power rating
- 136 dB SPL Max
- 30 - 400 Hz Frequency Range
- 1 x 18" Hyper Ventilation Neodymium Subwoofer
- DSP Controlled Input Section with selectable presets
- RDNet remote monitoring and control
- Delay Control
- Baltic Birch Cabinet

TECHNICAL SPECIFICATIONS

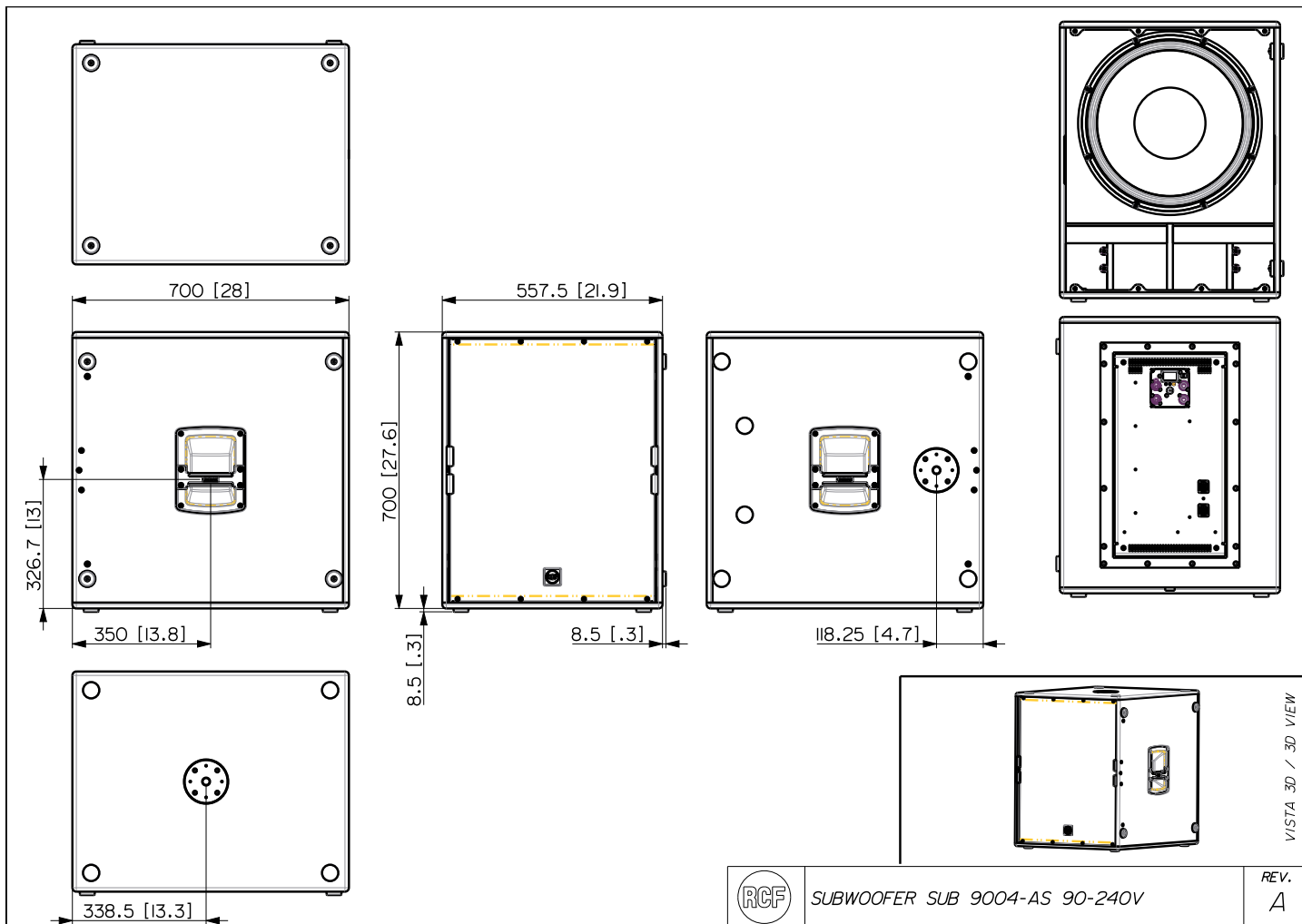
Acoustical specifications	Frequency Response:	30 Hz ÷ 400 Hz
	Max SPL @ 1m:	136 dB
Transducers	Woofers:	18" neo, 4.0" v.c
Input/Output section	Input signal:	bal/unbal
	Input connectors:	XLR, RDNet Ethercon
	Output connectors:	XLR, RDNet Ethercon
	Input sensitivity:	+4 dBu
Processor section	Hi-Pass Frequencies:	35 Hz, 50 Hz
	Low-Pass Frequencies:	Variable from 50 Hz to 400 Hz
	Protections:	Thermal, RMS
	Limiter:	Fast Limiter
	Controls:	Gain, Eq., Preset Switch, Output Delay
	RDNet:	Yes
Power section	Total Power:	2800 W Peak, 1400 W RMS
	Cooling:	Forced
	Connections:	Powercon IN/OUT
Standard compliance	CE marking:	Yes
Physical specifications	Cabinet/Case Material:	Baltic birch plywood
	Hardware:	2xM20
	Handles:	2 Side
	Grille:	Steel
	Color:	Black
Size	Height:	700 mm / 27.56 inches
	Width:	558 mm / 21.97 inches
	Depth:	700 mm / 27.56 inches
	Weight:	57 kg / 125.66 lbs
Shipping informations	Package Height:	770 mm / 30.31 inches
	Package Width:	770 mm / 30.31 inches
	Package Depth:	630 mm / 24.8 inches
	Package Weight:	61.8 kg / 136.25 lbs

PART NUMBER

- **13000546**

SUB 9004-AS

EAN 8024530015350



SUBWOOFER SUB 9004-AS 90-240V

REV.
A

