

M 801

TWO-WAY PASSIVE SPEAKER

DESCRIPTION

M 801 is a multipurpose two-way full-range speaker system, suitable in a wide range of installations. The compactness, together with the elegant and neutral design with accurate finishing make M 801 suitable for almost any environment and architectural constraint. Available mounting accessories allow you to use the M 801 wall or ceiling mounted, with reference to the several possible applications.

The M 801 has a controlled dispersion and delivers undistorted SPL value above any expectation from such a compact speaker system. The M 801 features high sensitivity thanks to the use of oversized magnets and a comfortable sound quality with smooth and wide frequency response performed thanks to the Kapton diaphragm compression driver loaded on a constant directivity horn. The LICC crossover design includes an electronic protection on high frequency device.



FEATURES

- High Quality 2-way passive loudspeaker
- 1 x 8" woofer, vented
- 1 x 1" in driver, on 90°x60° CD horn
- High Power Handling 'Low Impedance Compensated Crossover', with electronic protection for the driver
- 150W AES power handling
- Steel Front Grille with robust double mesh polyester clothing
- Rotatable RCF front logo
- Installation points are available on the rear panel, top and bottom
- All models have a 4-pin EUROBLOCK connector (audio input and parallel link output)

TECHNICAL SPECIFICATIONS

Acoustical specifications	Frequency Response (-10dB):	65 Hz ÷ 20000 Hz
	Max SPL @ 1m:	120 dB
	Horizontal coverage angle:	90°
	Vertical coverage angle:	60°
	Directivity index Q:	10
	System Sensitivity:	93 dB
Power section	Nominal Impedance (ohm):	8 ohm
	Power Handling:	150 W RMS
	Peak Power Handling:	600 W PEAK
	Recommended Amplifier:	300 W
	Protections:	Dynamic active mosfet
	Crossover Frequencies:	1800 Hz
Transducers	Compression Driver:	1.0", 1.5" v.c
	Nominal Impedance (ohm):	8 ohm
	Input Power Rating:	25 W AES, 50 W PEAK
	Sensitivity:	106 dB, 1W @ 1m
	Woofers:	8", 2.0" v.c
	Nominal Impedance (ohm):	8 ohm
	Input Power Rating:	150 W AES, 300 W PEAK
	Sensitivity:	92 dB, 1W @ 1m
Input/Output section	Input connectors:	Euroblock
	Output connectors:	Euroblock
Standard compliance	CE marking:	Yes
Physical specifications	Cabinet/Case Material:	MDF
	Hardware:	8 x M6, 2 x M10
	Grille:	Steel with robust double mesh polyester clothing
	Color:	Black
Size	Height:	448 mm / 17.64 inches
	Width:	261 mm / 10.28 inches
	Depth:	282 mm / 11.1 inches
	Weight:	11 kg / 24.25 lbs
Shipping informations	Package Height:	524 mm / 20.63 inches
	Package Width:	354 mm / 13.94 inches
	Package Depth:	333 mm / 13.11 inches
	Package Weight:	12.4 kg / 27.34 lbs



PART NUMBER

• **13041025**

M 801 W

White

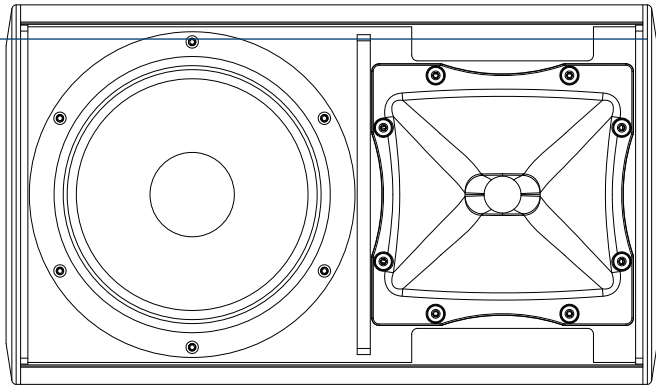
EAN 8024530011116

• **13041004**

M 801

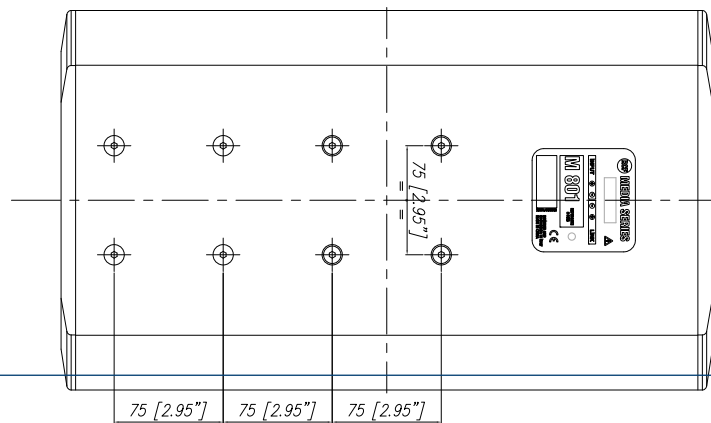
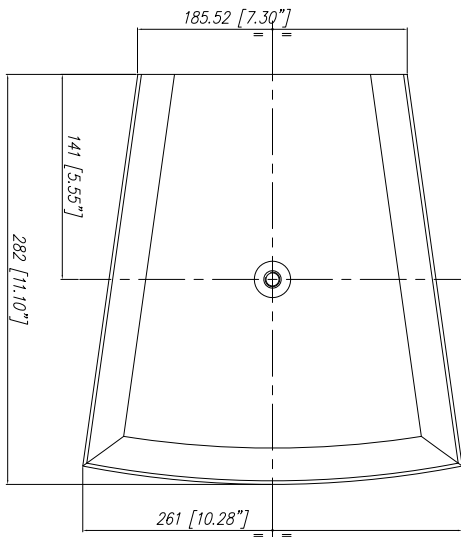
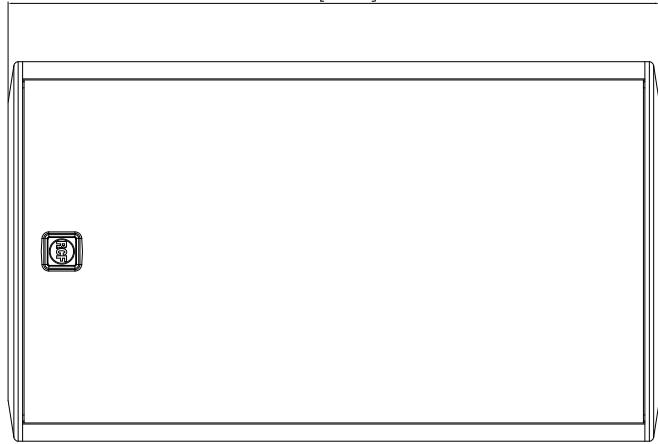
Black

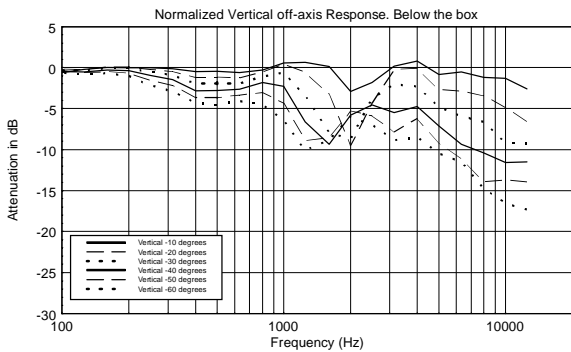
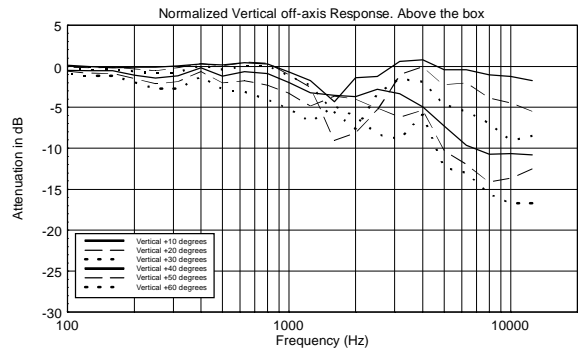
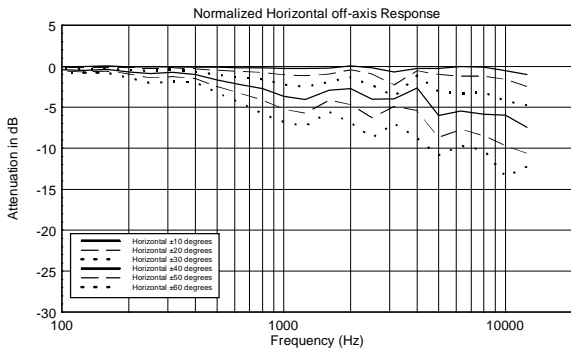
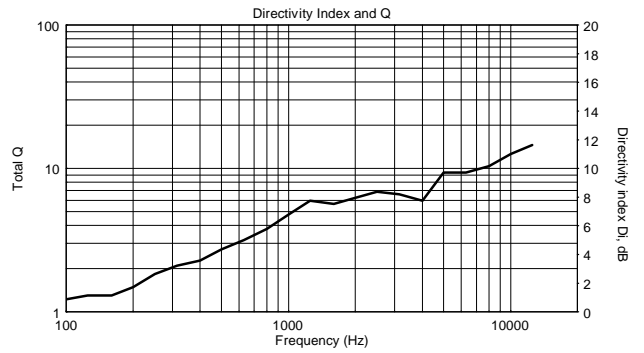
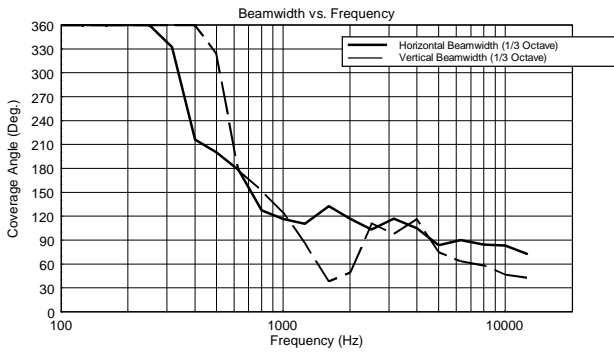
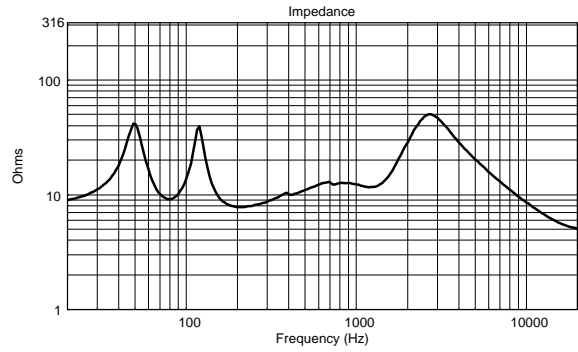
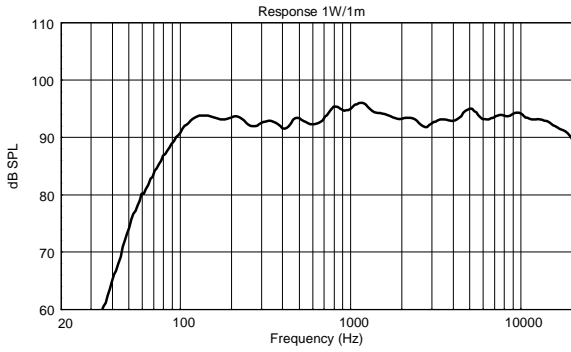
EAN 8024530007560



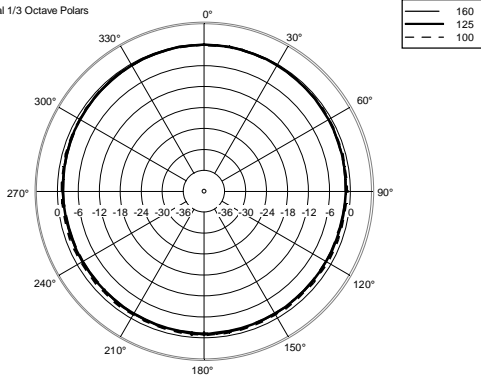
M801

448 [17.64"]

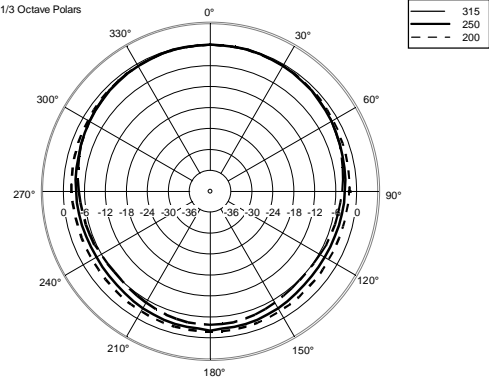




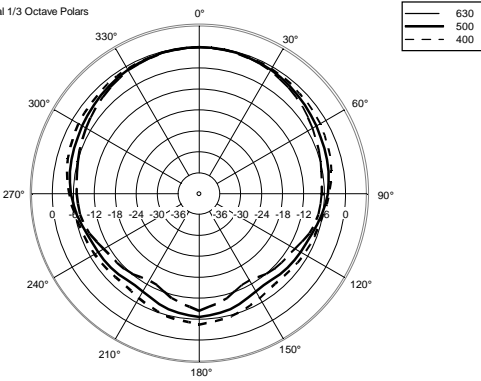
Horizontal 1/3 Octave Polars



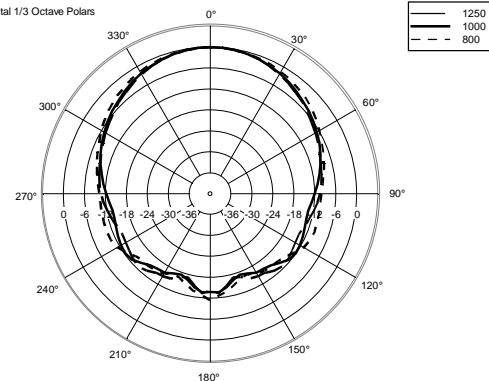
Horizontal 1/3 Octave Polars



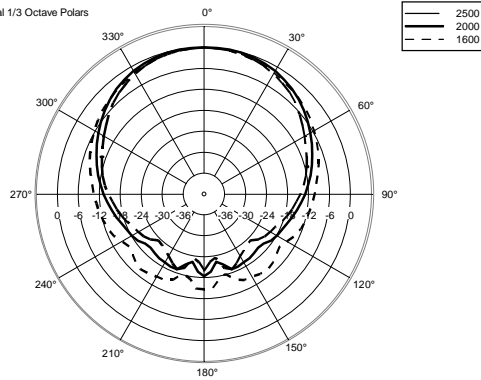
Horizontal 1/3 Octave Polars



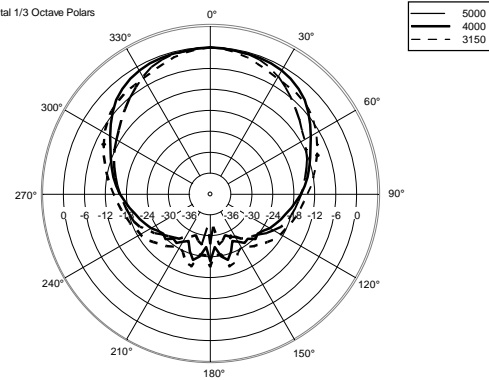
Horizontal 1/3 Octave Polars



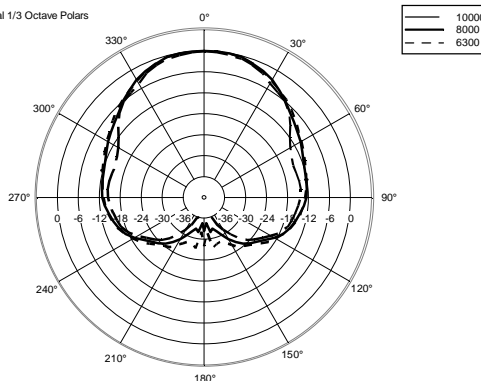
Horizontal 1/3 Octave Polars



Horizontal 1/3 Octave Polars



Horizontal 1/3 Octave Polars



Horizontal One Octave Polars

