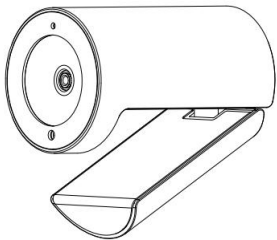
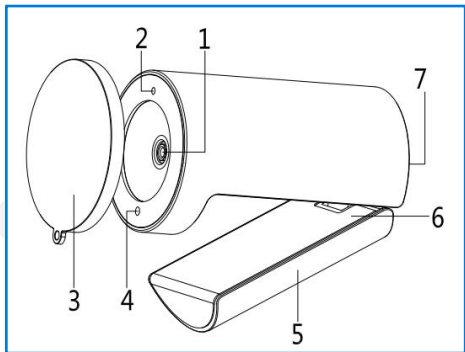


CleverCam B51 4K



User Manual V1.0

Explanation



- | | |
|----------------------------|---------------|
| 1. High quality glass lens | 2. LED light |
| 3. Privacy lens cover | 4. Microphone |
| 5. Clip mount | 6. Spindle |
| 7. USB Type-C port | |

Product Features

UHD

1/2.8" 12MP Ultra high definition CMOS sensor.

View Angle: **80°**(Diagonal); **65°**(Horizontal).

10cm

Object distance: 10cm~infinity.

DZoom

Support 1.5~3X digital zoom.

PDAF

Phase detection auto focus.

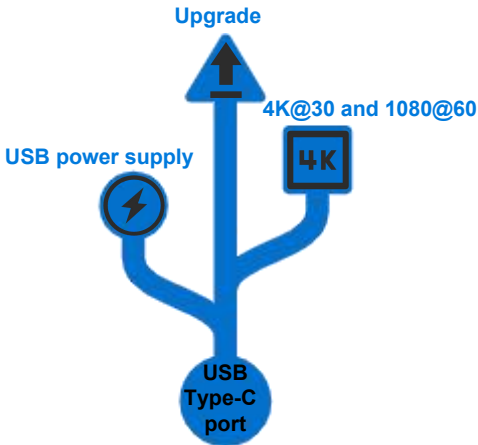
ePTZ

Electronic Pan-Tilt-Zoom.

Support both **Landscape** and **Portrait** video display, flexible to meet different application.

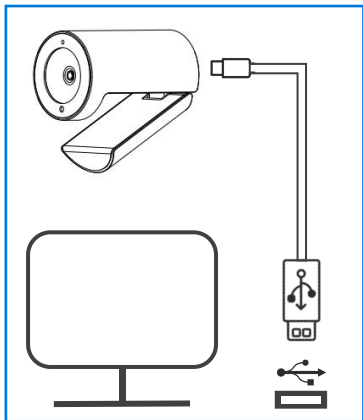
USB Type-C Port

A USB Type-C cable provides video output, camera control, power supply, and program upgrade.



Connection

1. Connect your computer to the webcam via the included USB Type-C cable (1.5m).



2. Plug and play, no need to install any driver, supports the standard UVC protocol.
3. The LED will light up when the app is using the webcam.

Video Format

Output both MJPG and YUY2 two compression video, capable of supporting 3840*2160@30 and 1920*1080@60.

Supports Windows, MAC OS, Android, Chrome and Linux operating systems.

MJPG

Portrait video:

1080*1920@30/15;
720*1280@30/15;
576*1024@30/15;
360*480@30/15

Landscape video:

4000*3000@15/10; 3840*2160@30/10;
2560*1440@20/10; 1920*1080@60/30;
1280*720@60/30; 1024*576@60/30;
640*480@20/10

1280*720@12/5;
1024*576@20/10;
640*480@30/20

YUY2

Mic Parameters

Built-in high-quality microphone, clear and comfortable sound pickup.

Omnidirectional
microphone

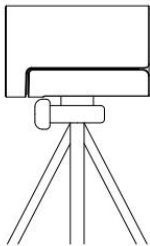
Sensitivity:
 $-26 \pm 2\text{dB}$
 $RL=2.2\text{K}\Omega$
 $V_s=2.0\text{V}$



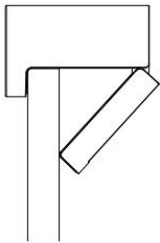
S/N Ratio:
64dB

Pickup distance:
3~5m

Installation Mode



(A)



(B)

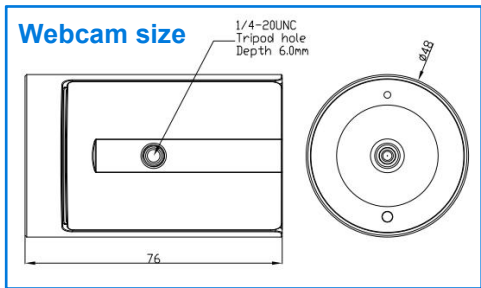
(A) The webcam is fixed on the tripod(not Provided).

(B) The webcam is fixed to the top of the display.

Size & Weight

Webcam Size: 76mm× ϕ 48mm

Package Size: 114.5mm×87mm×85mm



Net Weight: 0.13kg

Gross Weight: 0.3kg

