

ST 15-SMA

ACTIVE STAGE MONITOR

DESCRIPTION

ST Series is a practical solution for high intelligibility speech and audio applications, covering infill or delay, production studios, presentations and high power music sound reinforcement with or without subwoofers. A key requirement for everyday audio systems, delivering simple 'plug and play' solutions, without compromising performance and portability. Legendary RCF transducer technology coupled with state of the art digital amplification topology resulting in a perfectly optimised loudspeaker series. The ST Series provides high end audio coverage even at extreme sound pressure levels, unmatched reliability and acoustic compatibility across the whole series.



FEATURES

- 1200 Watt Peak, 600 Watt RMS
- 131 dB max SPL
- 45 Hz - 20 kHz frequency response
- 15" Woofer, 2.5" voice coil
- 1" Driver, 1.4" voice coil

TECHNICAL SPECIFICATIONS

Acoustical specifications	Frequency Response:	45 Hz ÷ 20000 Hz
	Max SPL @ 1m:	131 dB
	Horizontal coverage angle:	90°
	Vertical coverage angle:	60°
Transducers	Compression Driver:	1.0", 1.4" v.c
	Woofer:	15" neo, 2.5" v.c
Input/Output section	Input signal:	bal/unbal
	Input connectors:	XRL, Jack
	Output connectors:	XLR
	Input sensitivity:	-2 dBu/+4 dBu
Processor section	Crossover Frequencies:	1400 Hz
	Protections:	RMS, HF
	Limiter:	Fast Limiter
Power section	Total Power:	1200 W Peak, 600 W RMS
	High frequencies:	400 W Peak, 200 W RMS
	Low frequencies:	800 W Peak, 400 W RMS
	Cooling:	Convection
	Connections:	VDE
Standard compliance	CE marking:	Yes
Physical specifications	Cabinet/Case Material:	Baltic birch plywood
	Handles:	1 side
	Pole mount/Cap:	Yes
	Grille:	Steel
	Color:	Black
Size	Height:	362 mm / 14.25 inches
	Width:	673 mm / 26.5 inches
	Depth:	473 mm / 18.62 inches
	Weight:	20.3 kg / 44.75 lbs
Shipping informations	Package Height:	802 mm / 31.57 inches
	Package Width:	402 mm / 15.83 inches
	Package Depth:	482 mm / 18.98 inches
	Package Weight:	21.7 kg / 47.84 lbs



PART NUMBER

- **13000463**

ST 15-SMA

115V

EAN 8024530012830

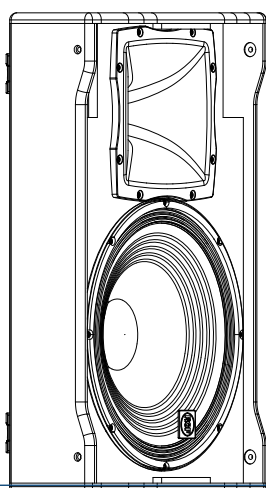
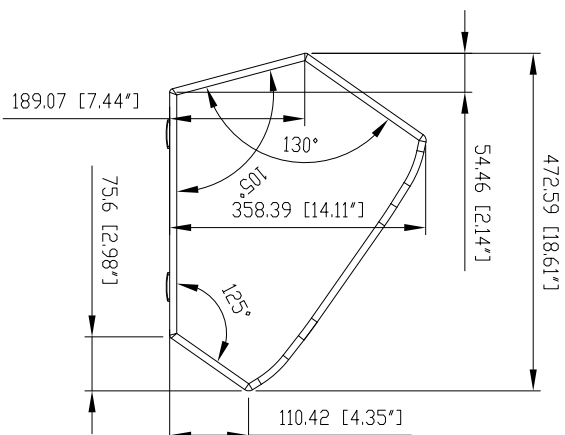
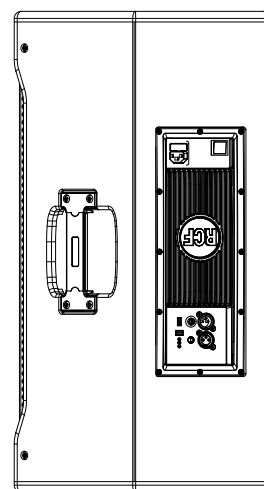
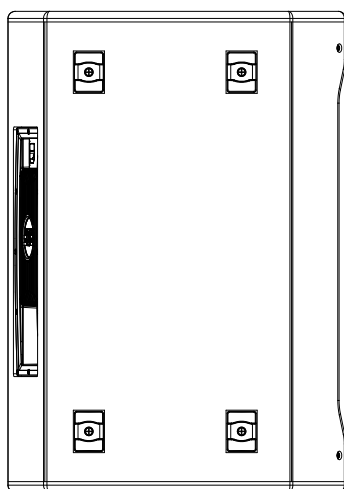
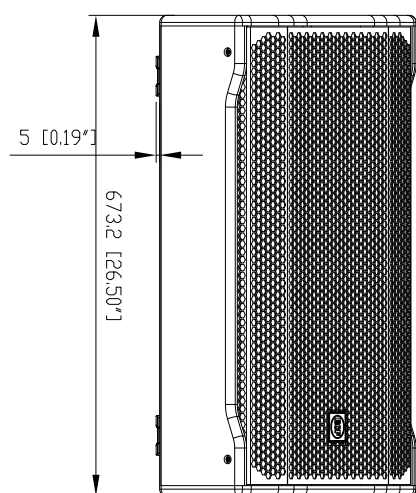
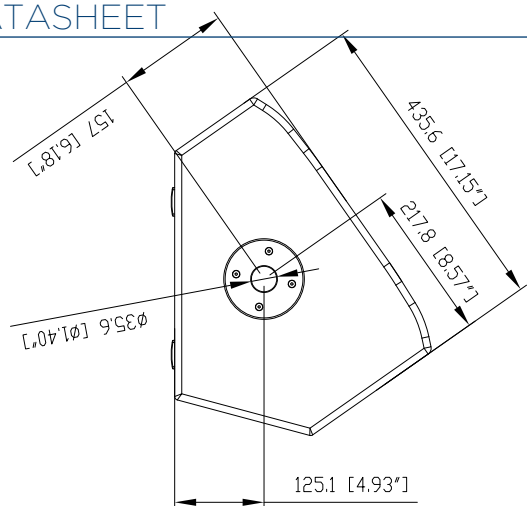
- **13000462**

ST 15-SMA

220-240V

EAN 8024530012823

DATASHEET



ST15-SMA

