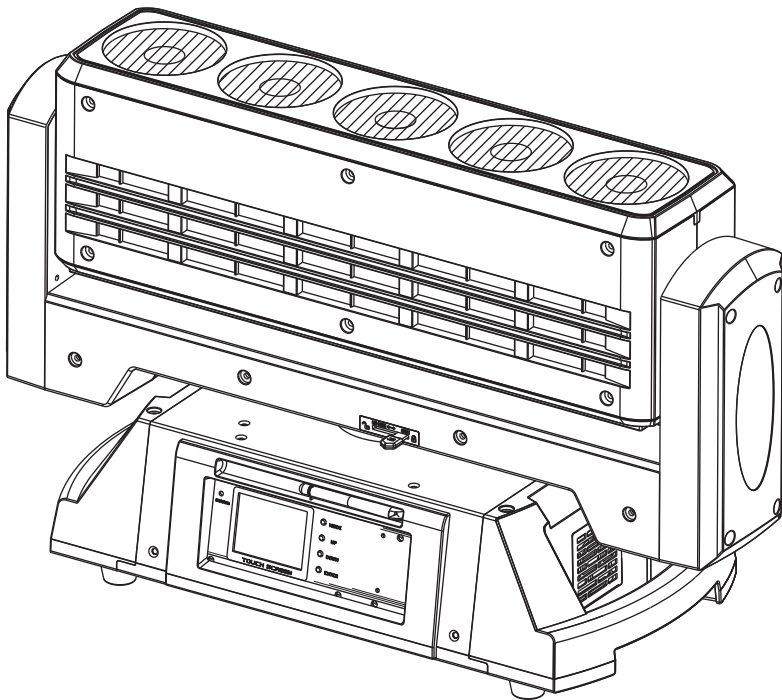


# DSB 560

## USER MANUAL



CE

INVOLIGHT



## Table of content

<b>1.Open–Package guidelines.....</b>	<b>1</b>
1.1 Package.....	1
<b>2.Safety instructions.....</b>	<b>1</b>
<b>3.Operating determination.....</b>	<b>3</b>
<b>4.Rigging the fixture.....</b>	<b>4</b>
4.1 Mounting.....	4
4.2Installing the Clamps.....	4
4.3 Power supply connection and cut off.....	5
4.4 Power Connection.....	6
4.5 DMX–512 connection/connection between fixtures.....	6
<b>5.Description of the device.....</b>	<b>7</b>
<b>6.Dimension.....</b>	<b>8</b>
<b>7.Display control.....</b>	<b>9</b>
7.1 Navigation in the Menu.....	9
7.2 Display Operation.....	9
7.3 Menu list.....	11
<b>8.DMX protocol.....</b>	<b>12</b>
<b>9.Maintance and cleaning.....</b>	<b>16</b>
<b>10.Electric equipment specification.....</b>	<b>16</b>
10.1 Electrical paramters.....	16
10.2 Weight and dimensions.....	17
10.3 Channel Characteristics.....	17
10.4 Menu Function.....	17
<b>11.Electronic drawing.....</b>	<b>18</b>

Congratulations on choosing our products! Please carefully read this instruction manual in its entirety and keep it well for using reference. This manual contained about the installation and the relative using information of this products. Plese refere this manual's relative instruction when using this equipment.

## 1.Open–Package guidelines

-This equipment is made of new style,high intensity plastic. It fully shows the modem times light charac teristic with teristic with beauty struture. And it is made accord to CE standard. Fully agree with the interna tion standard of DMX512 agreement.

-When receive the product, please be careful to take and put,Check if the product has damage or not because of transportation, and check the following parts:

- |                    |                     |
|--------------------|---------------------|
| 1.Signal cable-1PC | 2.Safy cable-1PC    |
| 3.User Manval-1PC  | 4.Omega holder-2PCS |
| 5.Power cable-1PC  | 5.Service card-1PC  |

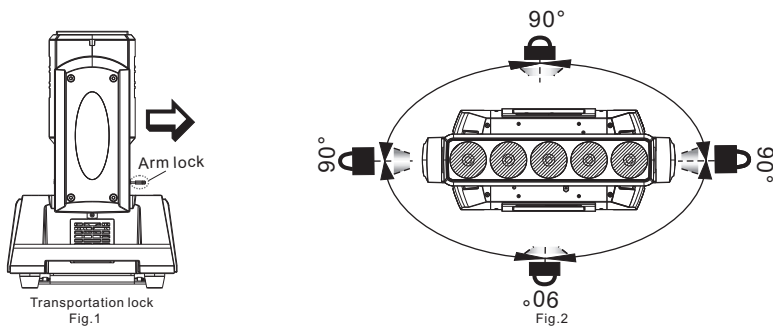
### 1.1 Package

Unpacking the fixture

- 1.Open the flight case cover.
- 2.With one person on each side, lift the fixture out of the flight case.
- 3.Unlock pan before operating fixture.

Packing the fixture

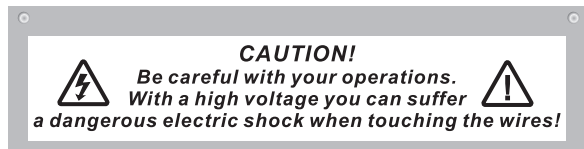
- 1.Disconnect the fixture from power and allow it to cool.
- 2.lock arm as figure.- Fig.1(PAN Mechanism Lock and Release (every 90°)- Fig.2)
- 3.Place the fix ture in the bottom of the flight case, and cover the case without forcing.



## 2.Safety instructions

Every person involvd with installation and maintenance of this device to:

- Be qualified
- Follow the instructions of this manual.



This device has been shipped with our premises in absolutely perfect condition. In order to maintain this condition and to ensure a safe operation, it is absolutely necessary for the user to follow the safety instructions and warning notes written in this manual.

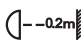









### Important:

- The manufacturer will not accept liability for any resulting damages caused by the nonobservance of this manual or any unauthorized modification to the device.
- Please consider that damages caused by manual modifications to the device are not subject to warranty.

- Never let the power-cord come into contact with other cables! Handle the power cord and all connections with particular caution!
- Make sure that the available voltage is not higher than stated on the rearpanel.
- Always plug in the power plug least. Make sure that the power-switch is set to off-position before you connect with themains with particular caution!
- Make sure that the power-cord is never crimped or damaged by sharp edges. Check the device and the power-cord from time to time.
- Always disconnect from the mains, when the device is not in use or before cleaning it.
- Only handle the power-cord by the plug, Never pull out the plug by tugging the powercord.
- This device falls under protection class I. Therefore it is essential to connect the yellow/green conductor to earth.
- The electric connection, repairs and servicing must be carried out by a qualified employee.
- Do not connect this device to a dimmer pack.
- Do not switch the fixture on and off in short intervals as this would reduce the lamp's life.
- Do not touch the device's housing bare hands during its operation (housing becomes hot)!
- For replacement use lamps and fuses of same type and rating only.

## Eye damage!

**Avoid looking directly into the light source (meant especially for epileptics)!**

- 
  - Minimum distance of illuminated objects  
The projector needs to be positioned so that the objects hit by the beam of light are at least 0.20 metres (8") from the lens of the projector.
- 
  - Maximum ambient temperature  
Do not operate the fixture if the ambient temperature ( $T_a$ ) exceeds 40°C (104°F).
- 
  - Temperature of the external surface  
The maximum temperature that can be reached on the external surface of the fitting, in a thermally steady state, is 90°C (194°F).
- 
  - IP20 protection rating  
The fitting is protected against penetration by solid of over 12mm (0.47") in diameter (first digit 2), but not against dripping water, rain, splashes or jets of water (second digit 0).
- 
  - Indoor use only
- 
  - Not suitable for household illumination
- 
  - Photobiological Safety  
CAUTION. Possibly hazardous optical radiation emitted from this product. Do not stare at operating lamp. May be harmful to the eyes.
- 
  - Light collimation system  
This product contains internal light collimation system. Avoid intense light from any angle.
- 
  - The products to which this manual refers comply with the European Directives pursuant to:
    - 2006/95/EC - Safety of electrical equipment supplied at low voltage (LVD)
    - 2004/108/EC - Electromagnetic Compatibility (EMC)
    - 2011/65/EU - Restriction of the use of certain hazardous substances (RoHS)
    - 2009/125/EC - EcoDesign requirements for Energy-related Products (ErP)
- 
  - Protection against electrical shock  
Connection must be made to a power supply system fitted with efficient earthing (Class I appliance according to standard EN 60598-1). It is, moreover, recommended to protect the supply lines of the projectors from indirect contact and/or shorting to earth by using appropriately sized residual current devices.



#### ➤ Disposing

This product is supplied in compliance with European Directive 2012/19/EU-Waste Electrical and Electronic Equipment (WEEE) .To preserve the environment please dispose/recycle this product at the end of its life according to the local regulation.



#### ➤ Battery

This product contains a rechargeable lead-acid or lithium iron tetraphosphate battery. To preserve the environment, please dispose the battery at the end of its life according to the regulation in force.

### 3. Operating determinations

- This device is a moving-head for creating decorative effects and was designed for indoor use only.
- If the device has been exposed to drastic temperature fluctuation (e.g. after transportation), do not switch it on immediately. The arising condensation water might damage your device, Leave the device switched off until it has reached room temperature.
- Never run the device without lamp!
- Do not shake the device, Avoid brute force when installing or operating the device.
- Never lift the fixture by holding it at the projector head, as the mechanics may be damaged. Always hold the fixture at the transport handles.
- When choosing the installation-spot, please make sure that the device is not exposed to heat, moisture or dust. There should not be any cables lying around. You endanger your own and the safety of others!
- The minimum distance between light output and the illuminated surface must be more than 0.2 meters.
- Make sure that the area below the installation place is blocked when rigging, derigging or servicing the fixture.
- Always fix the fixture with an appropriate safety rope, Fix the safety rope at the correct holes only.
- Operate the fixture after having checked that the housing is firmly closed and all screws are tightly fastened.
- The lamp must never be ignited if the objective-lens or any housing-cover is open, as discharge lamps may explode and emit a high ultraviolet radiat, which may cause burns.
- The maximum ambient temperature 40° C must never be exceeded.
- Operate the device only after having familiarized with its functions. Do not permit operation by persons not qualified for operating the device. Most damages are the result of unprofessional operation!
- Please use the original packaging if the device is to be transported.
- Please consider that unauthorized modifications on the device are forbidden due to safety reasons!
- If this device will be operated in any way different to the one described in this manual, the product may suffer damages and the guarantee becomes void. Furthermore, any other operation may lead to dangers like short-circuit, burns, electric shock, burns due to ultraviolet radiation, lamp explosion, crash etc.

## 4. Rigging the fixture

### 4.1 Mounting



*Pay attention to the regulations of CE.*

*Installation by qualified staff to complete.*

- ☞ For the various mounting positions of the FIXTURE (standing on the floor, sideways or hanging different accessories kits are available.
- ☞ Through this a safe and firm installation is assured.
- ☞ You'll find special connectors on the bottom side of the system which are put to use here.

### 4.2 Installing the Clamps

Please consider the respective national norms during the Installation! The installation must only be carried out by an authorized dealer!

The installation of the projector has to be built and constructed in a way that it can hold 10 times the weight for 1 hour without any harming deformation.

The installation must always be secured with a secondary safety attachment, e.g. an appropriate catch net. This secondary safety attachment must be constructed in a way that no part of the installation can fall if the main attachment fails.

When servicing the fixture staying in the area below the installation place, on bridges, under high working places and other endangered areas is forbidden.

The operator has to make sure that safety-relating and machine-technical installations are approved by an expert before taking into operation for the first time and after changes before taking into operation another time.

The operator has to make sure that safety-relating and machine-technical installations are approved by an expert after every four years in the course of an acceptance test.

The operator has to make sure that safety-relating and machine-technical installations are approved by a skilled person once a year.

The projector should be installed outside areas where persons may walk by or be seated.

**Important!** Overhead rigging requires extensive experience CE, including (but not limited to) calculating working load limits, installation material being used, and periodic safety inspection of all installation material and the projector. If you lack these qualifications, do not attempt the installation yourself, but instead use a professional structural rigger. Improper installation can result in bodily injury and or damage to property.

The projector has to be installed out of the reach of people.

If the projector shall be lowered from the ceiling or high joists, professional trussing systems have to be used. The projector must never be fixed swinging freely in the room.

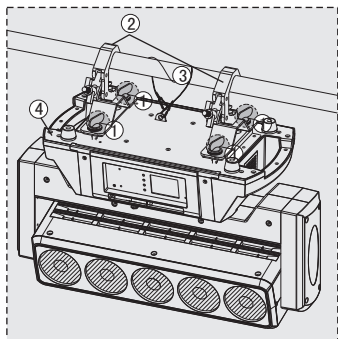
**Caution** Projectors may cause severe injuries when crashing down! If you have doubts concerning the safety of a possible installation, do not install the projector!

Before rigging make sure that the installation area can hold a minimum point load of 10 times the projector's weight.



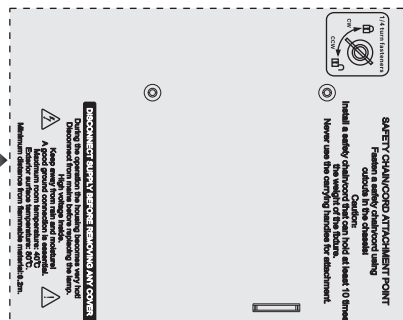
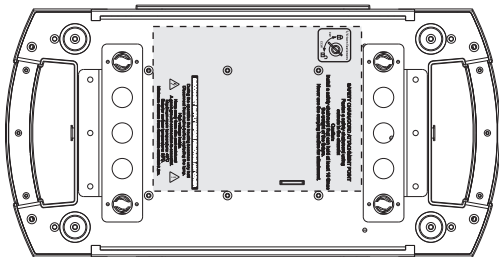
The projector can be placed directly on the stage floor or rigged in any orientation on a truss without altering its operation characteristics.

For overhead use, always install a safety-rope that can hold at least 10 times the weight of the fixture. You must only use safety-ropes with screw on carabines. Pull the safety-rope through the two apertures on the bottom of the base and over the trussing system etc.



- ① Lock catch
- ② omega holder
- ③ secure chain
- ④ mounting plate

**Warning:** it is necessary to make sure that the installation location is perfectly appropriate, and the installation location is safe and reliable.

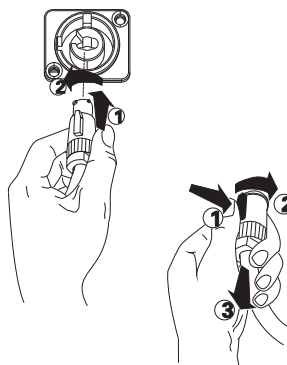


### 4.3 Power supply connection and cut off

Connect the light source to the main power source with the plug of the power cord, or cut off the power supply:

**Connection:** according to procedures, the power plug and socket is inserted into the groove one one alignment, rotation.

**Cut off:** according to procedures, press the button on the rotating plug, pull out.



**4.4 Power Connection**

If you wish to change the power supply settings, see the chapter appendix Connect the fixture to the mains with the enclosed power cable and plug.

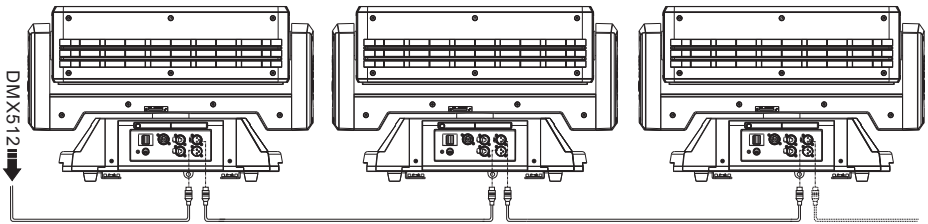


**Warning:** please verify the power of the power supply equipment prior to the connection! Earth wire must be grounded!

CABLE(EU)	CABLE(US)	Pin	INTERNATIONAL
Brown	Black	Live	<b>L</b>
Light blue	White	Neutral	<b>N</b>
Yellow/Green	Green	Earth	

**4.5 DMX-512 connection/connection between fixtures**

Only use stereo shielded cable and 3-pin XLR-plugs and connectors in order to connect.



**Caution**

At the last fixture, the DMX-cable has to be terminated with a terminator. solder a 120 resistor between signal(-) and Signal (+) into a 3-pin XLR-plug and plug it in the DMX-output of the last fixture.

DMX output  
3-pin XLR socket

DMX input  
3-pin XLR socket

DMX output  
5-pin XLR socket

DMX input  
5-pin XLR socket



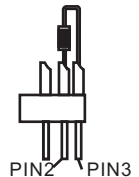
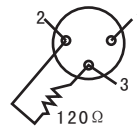
- 1: Ground
- 2: Signal (-)
- 3: Signal (+)



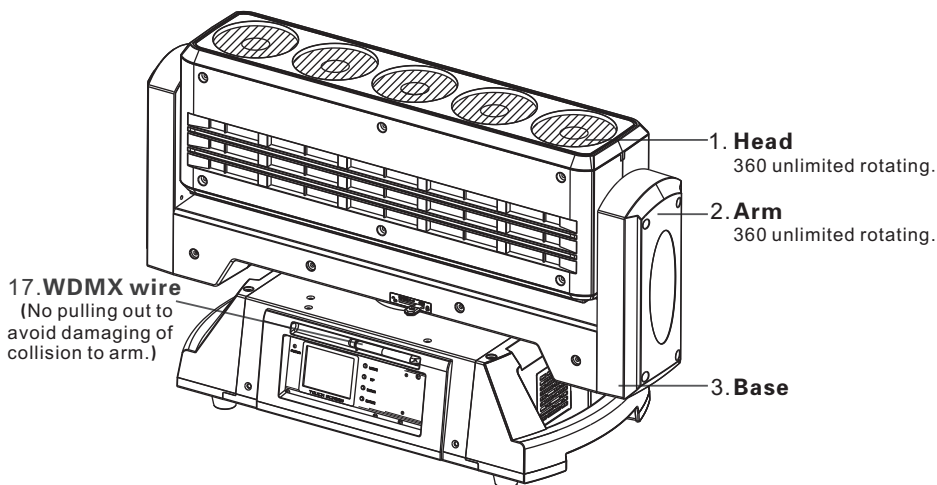
- 1: Ground
- 2: Signal (-)
- 3: Signal (+)
- 4: N. A.
- 5: N. A.

**DMX Terminator Diagram**

-For installations where the DMX cable has to run a long distance or is in an electrically noisy environment it is recommended to use a DMX terminator. This helps in preventing corruption of the signal by electrical noise. The DMX terminator is simply an XLR plug with a 120Ω resistor connected between pins 2 and pins 3, which is then plugged into the output XLR socket of the last fixture in the chain.

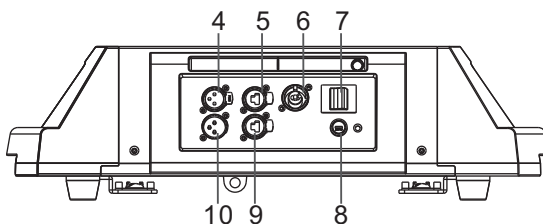


## 5. Description of the device



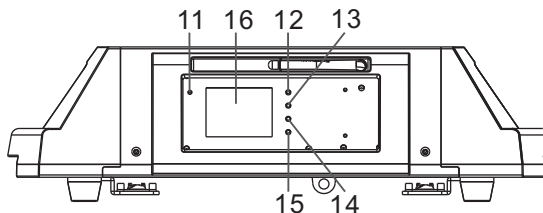
### BACK PANEL

- 4. 3-pin XLR female
- 5. Network interface
- 6. Power-in
- 7. Power switch
- 8. Insurance seat
- 9. Network interface
- 10. 3-pin XLR male

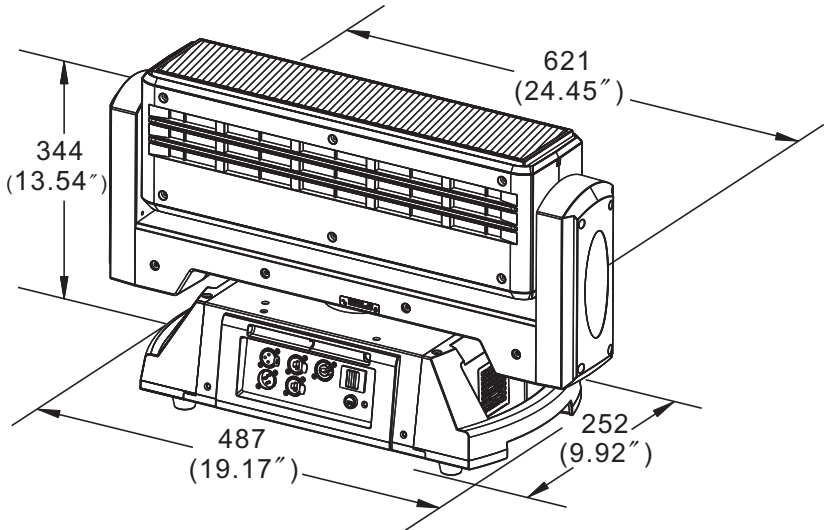
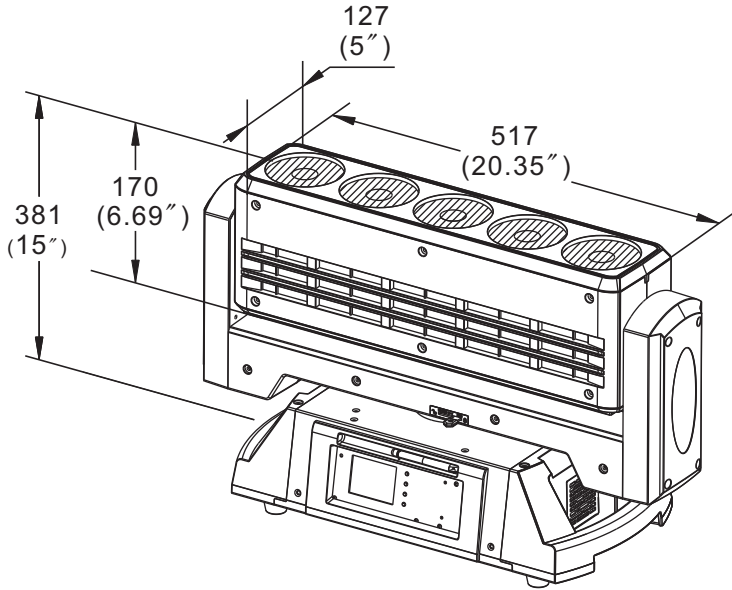


### CONTROL PANEL

- 11. Status indicator lamp
- 12. MODE button
- 13. UP button
- 14. DOWN button
- 15. ENTER button
- 16. Touch screen(LCD display)



6.Dimension



## 7.Display control

### 7.1 Navigation in the Menu

Using the buttons or touch screen, and this can be simply and easily set the address code and functions code.

If you view or modify the lighting feature set, then press ENTER button, the display will enter the menu interface. Both there is sub menu corresponding to the functional operation of the main menu. Each of the menus is representative of the specific features of the lamp. The specific contents shows as the table menu below.

Set or browse lighting function, press UP or DOWN button.

Press ENTER to save your changes or enter the submenu.Press the UP or DOWN can change the numerical (increase or decrease in value).

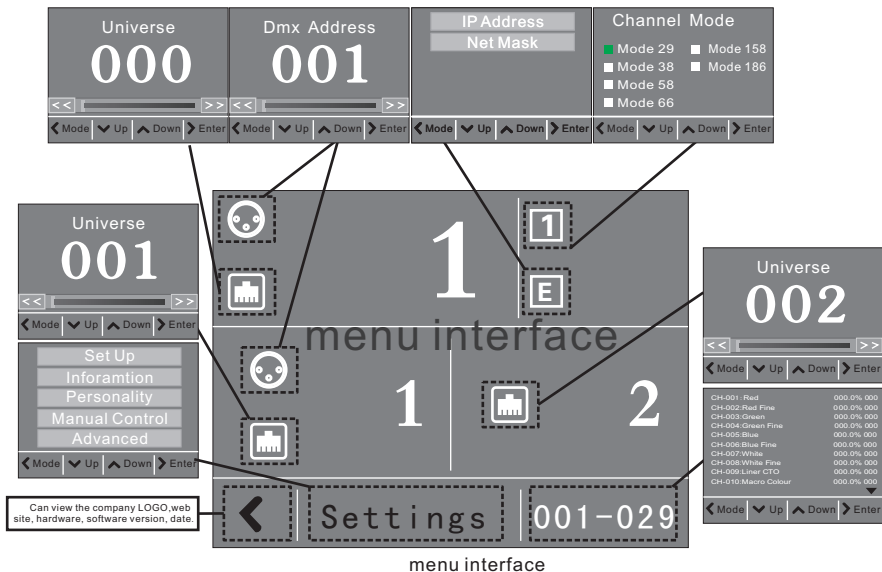
Press the MODE button to return to menu. Set a time 0 to 10 minutes automatically exit menu interface and close the screen.

### 7.2 Display Operation

Put through power supply, open the power switch of lamps and lanterns, display show the company LOGO website. According to the main interface, as shown in figure:

In the main interface, press "MODE" button to view the software version, press the "UP" "DOWN" can modify the DMX address.

If the screen "🔄" icon is green,said DMX signal connection is normal, this state can be used to check th lamps and lanterns and connection between the control table is normal.



This lamp can be set to turn off the automatic flip screen function, touch this "🔄" icon can be manually flip screen.

Click on the main interface of the icon, numerical to view Settings related information of lamps and lanterns. Symbols such as the main interface appear "Δ", the following error message indicates that there might be a lamps and lanterns, can click to view and control information content to modify the lamps and lanterns.

CODE #	ERRO INFO	CHECK MEASURMENT	NOTE
E01	SpiFlashError	Check the welding of memory IC	RESET ERROR
E02	Program Err 1	Check the welding of Chip	
E03	Program Err 2	Check the welding of master IC EP3C	
E04	MBDInit Error	Check the communication signal 485& 485 chip & memory IC	
E05	BD1Init Error		
E06	BD2Init Error	Check main cable ABAB ( 485 ) chip	
E12	BusErr1		
E14	SPDError		Check the welding of master IC
E16	MFpga Error	Check the communication signal& welding of communication chip	
E17	BD1 BUS Error		
E18	BD2 BUS Error		
E21	Pan FB. Err	Check the light coupling line, optical coupling switch and a plate of the relative position measurement	
E23	Tilt FB. Err		
E22	Pan Zero Err	Check cable of sensor, distance and location of ,magnets and sensor	
E24	Tilt Zero Err		
E37	B.Fan1 Error	Check the fan of head	
E45	EthMDL Error	Check the fan of ArtNet、 communication signal	

### 7.3 Menu list

			Remark	
Set up	Basic Engine	Universe	0~255	
		DMX Address	000~XXX	
	Strobe Engine	Universe	0~255	
		DMX Address	000~XXX	
	Pixels Engine	Universe	0~255	
	Fixture Id	0001-9999		Lamps address
	Channel Mode	Mode 1	1~29	default Mode1
		Mode 2	1~38	
		Mode 3	1~58	
		Mode 4	1~66	
		Mode 5	1~158	
Mode 6		1~186		
Ethernet	IPAddress	002.XXX.XXX.XXX		
		Confirm		
	Netmask	255.XXX.XXX.XXX		
		Confirm		
Information	Fixture Times	XXXXXX h XX m	Total working hours	
	LED Times	LED On Times	XXXXh XXm	Lamp On working hours
		Reset Lamp Time	Input Password	Reset Lamp Time
	Error List		Error details	
	Diagnosis	BOARD 1: XX.XX%		Diagnosis
		BOARD 2: XX.XX%		
		BOARD 3: XX.XX%		
		BOARD 4: XX.XX%		
		BOARD 5: XX.XX%		
	DMX Values		DMX Values	
Fans Monitor		Fans Monitor		
Personality	Pan/Tilt	Pan Reverse ON/OFF	Pan Reverse (default OFF)	
		Tilt Reverse ON/OFF	Tilt Reverse(default OFF)	
		Feedback ON/OFF	Pan/Tilt Auto Switch(default ON)	
	Dmx Input	Wired Input	Wired Input(default)	
		Wireless Input	Wireless Input	
		Wireless In/XLR out	Wireless In/XLR out	
		Ethnet Input	Ethnet Input	
	Screen	Brightness	Brightness	
		Screen Time out 0~10m	Screen Time out	
		Touch Screen ON/OFF	Touch Screen(default ON)	
		Auto Screen ON/OFF	Auto Screen(default ON)	
	Fan Mode	Auto	Defaul Auto	
		High		
	Manual Control	Reset	Reset Pan/Tilt	
		Channel		Chanel Testing
Deom				
Advanced	Calibration	Input Password XXXX	Chanel Adgusting	
	Factory Default	ON/OFF	Reset to orignal parameters	
	Touch Calibration		Touch screen adjusting	

## 8.DMX protocol

Mode1	Mode2	Mode3	Mode4	Mode5	Mode6	Name	Function	DMX Value
1	1	1	1	1	1	Red	Black→Red 0-100%	0-255
2	2	2	2	2	2	Red fine	Red fine	0-255
3	3	3	3	3	3	Green	Black→Green 0-100%	0-255
4	4	4	4	4	4	Green fine	Green fine	0-255
5	5	5	5	5	5	Blue	Black→Blue 0-100%	0-255
6	6	6	6	6	6	Blue fine	Blue fine	0-255
7	7	7	7	7	7	White	Black→White 0-100%	0-255
8	8	8	8	8	8	White fine	White fine	0-255
9	9	9	9	9	9	Linear CTO	Reserve	0-14
							8000K	15-44
							7000K	45-74
							6000K	75-104
							5600K	105-134
							5000K	135-164
							4000K	165-194
							3200K	195-224
							2500K	225-255
							10	10
Red	10							
Green	11							
Blue	12							
Cyan	13							
Yellow	14							
Magenta	15							
White 7000 K	16							
White 3700 K	17							
White 5000 K	18							
Black	19							
Medium Yellow	20-22							
Straw Tint	23-26							
Surprise Peach	27-28							
Fire	29							
Medium Amber	30							
Gold Amber	31							
Dark Amber	32-34							
Sunrise Red	35-44							
Light Pink	45							
Medium Pink	46-48							
Pink Carnation	49-61							
Light Lavender	62-67							
Lavender	68-77							
Sky Blue	78-88							
Just Blue	89-99							
Dark yellow green	100-109							
Spring Yellow	110-111							
Light Amber	112							
Straw	113							
Deep Amber	114							
Orange	115-116							
Light Rose	117							
English Rose	118							
Light Salmon	119							
Middle Rose	120							
Dark Pink	121-122							
Magenta	123-124							
Peacock Blue	125							
Med Blu Green	126							
Steel Blue	127							
Light Blue	128							
Dark Blue	129-130							
Leaf Green	131-133							



Mode1	Mode2	Mode3	Mode4	Mode5	Mode6	Name	Function	DMX Value
10	10	10	10	10	10	Macro colour	Dark Green	134-135
							Mauve	136-137
							Bright Pink	138-141
							Medium Blue	142-144
							Deep Golden Amber	145
							Pale Lavender	146
							Special lavender	147-148
							Primary Green	149-150
							Bright Blue	151-156
							Apricot	157-161
							Pale Gold	162-167
							Deep Orange	168-171
							Bastard Amber	172-173
							Flame Red	174
							Daylight Blue	175-178
							Lilac Tint	179
							Deep lavender	180-183
							Dark Steel Blue	184-190
							Congo Blue	191-206
							Alice Blue	207
Dirty White	208							
White	209-255							
11	11	11	11	11	11	Strobe	CLOSED	0-3
							STROBE SLOW--FAST ( 1--25 flash/sec )	4-103
							OPEN	104-107
							PULSATION SLOW--FAST ( 0.5-25 flash/sec )	108-207
							OPEN	208-212
							RANDOM SLOW STROBE	213-225
							RANDOM MEDIUM STROBE	226-238
							RANDOM FAST STROBE	239-251
							OPEN	252-255
							12	12
Dimmer Fine 0-100%	0-255							
13	13	13	13	13	13	Pan	Pan	0-255
14	14	14	14	14	14	Pan Fine	Pan Fine	0-255
16	16	16	16	16	16	Pan Rotation	UNUSED RANGE	0-2
							CW Rotation speed from fast to slow	3-126
							Stop Rotation	127-130
							CW Rotation speed from slow to fast	130-255
17	17	17	17	17	17	Tilt	Tilt	0-255
18	18	18	18	18	18	Tilt Fine	Tilt Fine	0-255
19	19	19	19	19	19	Tilt Rotation	UNUSED RANGE	0-2
							CW Rotation speed from fast to slow	3-126
							Stop Rotation	127-130
							CW Rotation speed from slow to fast	130-255
20	21	22	23	24	25	Function	The functions are activated passing through the "unused range" and staying 5 seconds.	
							Function off -rearmed	0-11
							Pan Tilt Fast (Default)	12-24
							Pan Tilt Normal	25-37
							Dimmer Curve 1	38-42
							Dimmer Curve 2	43-47
							Dimmer Curve 3	48-52
							Dimmer Curve 4	53-57
							RGBW Gamma curve 1 -gamma =1.0	58-62
							RGBW Gamma curve 2 -gamma =1.5	63-67
							RGBW Gamma curve 3 -gamma =2.0	68-72
							Activate the following function channel 9 linear CTO automatically shut down.	
							Strobe Ethernet control open (default)	73-77
							Strobe Ethernet control	78-82
Strobe pixel Ethernet control open (default)	83-87							

Mode1	Mode2	Mode3	Mode4	Mode5	Mode6	Name	Function	DMX Value
20	21	22	23	24	25	Function	Strobe pixel Ethernet control control	88-92
							Strobe channel merger (default)	93-97
							Strobe independence	98-102
							Stroboscopic crosswise (default)	103-107
							Stroboscopic arrangement	108-112
							Flashing up and down	103-117
							PAN / TILT RESET	118-122
Unused range	128-255							
21	21	21	21	21	21	Pixels R	Pixels R 0-100%	0-255
22	22	22	22	22	22	Pixels R Fine	Pixels R Fine 0-100%	0-255
23	23	23	23	23	23	Pixels G	Pixels G 0-100%	0-255
24	24	24	24	24	24	Pixels G Fine	Pixels G Fine 0-100%	0-255
25	25	25	25	25	25	Pixels B	Pixels B 0-100%	0-255
26	26	26	26	26	26	Pixels B Fine	Pixels B Fine 0-100%	0-255
27	27	27	27	27	27	Strobe	CLOSED	0-3
							STROBE SLOW--FAST ( 1--25 flash/sec )	4-103
							OPEN	104-107
							PULSATION SLOW--FAST ( 0.5-25 flash/sec )	108-207
							OPEN	208-212
							RANDOM SLOW STROBE	213-225
							RANDOM MEDIUM STROBE	226-238
							RANDOM FAST STROBE	239-251
							OPEN	252-255
28	28	28	28	28	28	Pixels Dimmer	Pixels Dimmer 0-100%	0-255
29	29	29	29	29	29	Pixels Dimmer Fine	Pixels Dimmer Fine 0-100%	0-255
30	30	30	30	30	30	Shape Selection	Reserve	0-7
							Single pulsation	8
							Divergence	9
							Single spaced interval 1	10
							Single spaced interval 2	11
							Single spaced interval 3	12
							Single spaced interval 4	13
Reserve	14-255							
31	31	31	31	31	31	Shape Speed	Radius size,Static	0-63
							max to min speed	64-158
							Stop	159-160
							min to max speed	161-255
32	32	32	32	32	32	Shape Fade	Shape Fade 0-100%	0-255
33	33	33	33	33	33	Shape R	Shape R 0-100%	0-255
34	34	34	34	34	34	Shape G	Shape G 0-100%	0-255
35	35	35	35	35	35	Shape B	Shape B 0-100%	0-255
36	36	36	36	36	36	Shape W	Shape W 0-100%	0-255
37	37	37	37	37	37	Shape Dimmer	Shape Dimmer 0-100%	0-255
38	38	38	38	38	38	Shape Strobe	CLOSED	0-3
							STROBE SLOW--FAST ( 1--25 flash/sec )	4-103
							OPEN	104-107
							PULSATION SLOW--FAST ( 0.5-25 flash/sec )	108-207
							OPEN	208-212
							RANDOM SLOW STROBE	213-225
							RANDOM MEDIUM STROBE	226-238
							RANDOM FAST STROBE	239-251
							OPEN	252-255
39	39			39		Red LED 1	Red 0-100%	0-255
40	40			40		Green LED 1	Green 0-100%	0-255
41	41			41		Blue LED 1	Blue 0-100%	0-255
42	42			42		White LED 1	White 0-100%	0-255
43	43			43		Red LED 2	Red 0-100%	0-255
44	44			44		Green LED 2	Green 0-100%	0-255
45	45			45		Blue LED 2	Blue 0-100%	0-255
46	46			46		White LED 2	White 0-100%	0-255
47	47			47		Red LED 3	Red 0-100%	0-255
48	48			48		Green LED 3	Green 0-100%	0-255
49	49			49		Blue LED 3	Blue 0-100%	0-255



Mode1	Mode2	Mode3	Mode4	Mode5	Mode6	Name	Function	DMX Value
				48	76	Pixels 2 Dimmer	Pixels 2 Dimmer 0-100%	0-255
				49	77	Pixels 2 Shape Fade	Pixels 2 Shape Fade	0-255
				50	78	Pixels 2 Shape Speed	Pixels 2 Shape Speed	0-255
				51	79	Pixels 3 R	Pixels 3 R 0-100%	0-255
				52	80	Pixels 3 G	Pixels 3 G 0-100%	0-255
				53	81	Pixels 3 B	Pixels 3 B 0-100%	0-255
				54	82	Pixels 3 Dimmer	Pixels 3 Dimmer 0-100%	0-255
				55	83	Pixels 3 Shape Fade	Pixels 3 Shape Fade	0-255
				56	84	Pixels 3 Shape Speed	Pixels 3 Shape Speed	0-255
				.	.	.	.	.
				.	.	.	.	.
				.	.	.	.	.
				153	181	Pixels 20 R	Pixels 20 R 0-100%	0-255
				154	182	Pixels 20 G	Pixels 20 G 0-100%	0-255
				155	183	Pixels 20 B	Pixels 20 B 0-100%	0-255
				156	184	Pixels 20 Dimmer	Pixels 20 Dimmer 0-100%	0-255
				157	185	Pixels 20 Shape Fade	Pixels 20 Shape Fade	0-255
				158	186	Pixels 20 Shape Speed	Pixels 20 Shape Speed	0-255

## 9.Maintance and cleaning

**DANGER: Disconnect from the mains before starting any maintenance work.**

It is absolutely essential that the fixture is kept clean and that dust, dirt and smoke fluid residues must not buildup on or within the fixture. Otherwise, the fixtures light-output will be significantly reduced. Regular cleaning will not only ensure the maximum light-output, but will also allow the fixture to function reliably through out its life. A soft lint-free cloth moistened with any good glass cleaning fluid is recommended, under no circum stances should alcohol or solvents be used!

The front objective lens will require weekly cleaning as smoke-fluid tends to building up residues, reducing the light-output very quickly. The cooling-fans should be cleaned monthly.

The gobos may be cleaned with a soft brush, The interior of the fixture should be cleaned at least annually using a vacuum-cleaner or an air-jet.

There are no serviceable parts inside the device except for the lamp and the fuse.

Replacing the fuse: If the lamp burns out, the fine-wire fuse of the device might fuse, too. Only replace the fuse by a fuse of same type and rating. Before replacing the fuse, unplug mains lead.

Maintenance and maintenance of the operation, please contact the manufacturer or distributor.

## 10.Electric equipment specification

### 10.1 Electrical paramters

SOURCE:RGBW 5LED-60W+ RGB 1280LED-0.2W

POWER:800W

VOLTAGE:AC100-240V 50/60HZ

Color Temperature:6500K

## **10.2 Weight and dimensions**

Dimensions : 621X252X381mm

NET WEIGHT:20Kg

Dimensions (Carton Package) : 735X470X390mm

WEIGHT (Carton Package) : 24Kg

Dimensions (Flight Case -2 lights):1260X680X558mm

NET WEIGHT/WEIGHT (Flight Case -2 lights) : 71Kg/159Kg

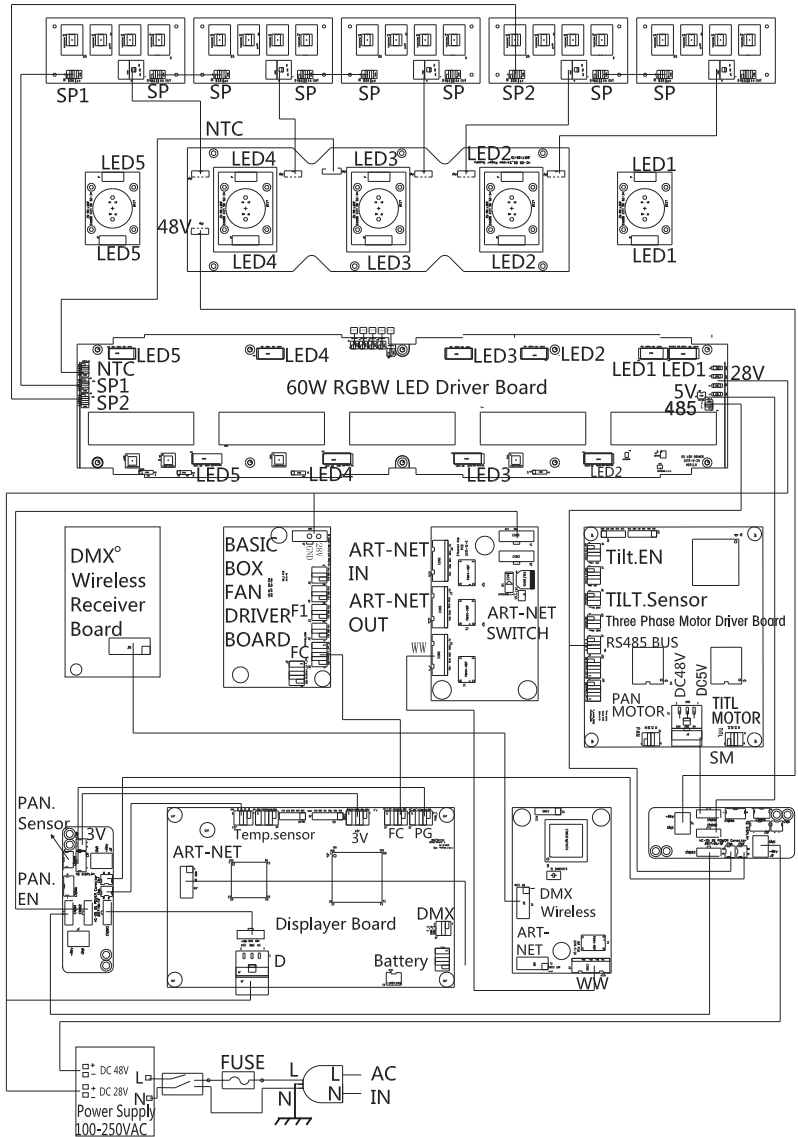
## **10.3 Channel Characteristics**

1. 29、38、58、66、158、186 Seven standard DMX channel model.
2. Scan: Pan、Tilt 360° arbitrary position, 360° polorotation, Fixture could auto reset.
3. Shutter: electronic shutter, random strobe.
4. Demmer: limear dimmer.
5. 5 RGBW lamp can be controlled separately. 40X8 RGB Pixels.
6. The network control mode and DMX control mode have independent control and combined control.

## **10.4 Menu Function**

1. Touch screen, English menu.
2. DMX values and communication quality values can be displayed in each channel. .
3. Monitor could ON/OFF automatically.
4. Display the time using of lighting feature and lamp as well as the times of turning on for lamp.
5. After the DMX signal is disconnected, the display will be bright and dark.
6. With DMX software upgrade.

## 11. Electronic drawing



**Note: The above contents for reference only and is subject to change without prior notice, please take specification you have on hand and our company reserves the final right of interpretation.**



