



Public Address System
Horn Speaker System DSP163HD



OWNER'S MANUAL

Thank you for purchasing PA speaker system of DSPPA series. All of DSPPA series products have been tested strictly before shipping. DSPPA series PA speaker system is widely used in hotel, trade building, supermarket, school, entertainment, etc. It's the most ideal choice of you! In order to facilitate installing, modulating and running please read this manual carefully before setup.

FEATURES:

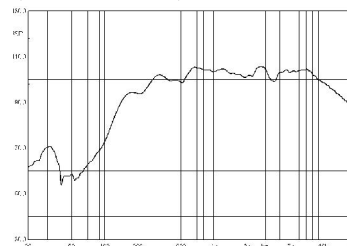
- Double driver unit structure, high sensitivity, wide frequency and excellent timbre;
- The products have gotten waterproof certificate and other certificates and are suitable for outdoor use;
- Equipped with brackets for installation.

SPECIFICATIONS

Freq. Resp	200Hz-15kHz	Rated Power	25W
Sensitivity	103±2dB	Dimension(L×W×H)	500×500×415mm
Max SPL	117±2dB	Weight	3.3kg

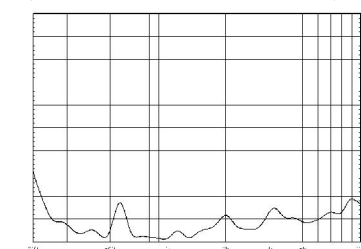
FREQ. RESPONSE

(dB SPL, 1W, 1m)

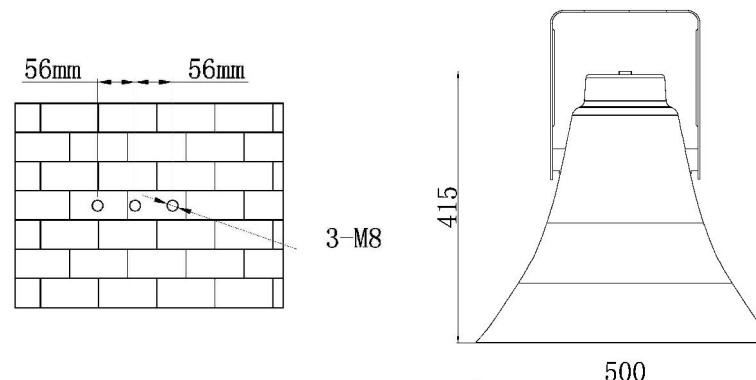


DISTORTION

(THD<3% 1W, 1m, 200Hz-20kHz)



POSITIONING DIMENSIONS & DIAGRAM



INSTALLATION

1. Fit three $\Phi 8\text{mm}$ screws in the position where needed to install a speaker;
2. Set the system in those three screws;
3. Connect audio broadcasting wire to the terminals;
4. Finally, adjust the direction of the system and examine whether it is steady.

Power	Line Voltage	70V	100V
Impedance		13W	25W
	Red---White		

Guangzhou DSPPA Audio Co., Ltd.



Public Address System DSP163HD



使用说明

承蒙选用**迪士普**广播扬声器系列产品。所有**迪士普**产品出厂前均经严格测试，信守质量承诺。**迪士普**广播扬声器广泛应用于酒店、商厦、超市、学校、休闲娱乐等场所，是您理想的选择。为了方便您安装、调试和使用本产品，安装前请仔细阅读本说明。

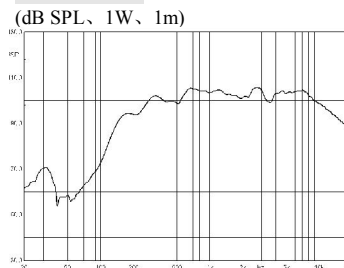
性能特点：

- 双单元同轴结构，灵敏度高，频带宽，音质优美；
- 产品通过防水认证等多项认证，适宜室内、外使用；
- 配备安装支架，安装便捷。

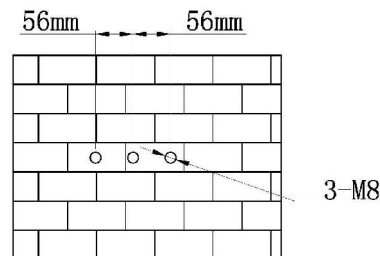
技术指标

频响范围	200Hz-15kHz	额定功率	25W
灵敏度	103±2dB	尺寸(长×宽×高)	500×500×415mm
最大声压级	117±2dB	重量	3.3kg

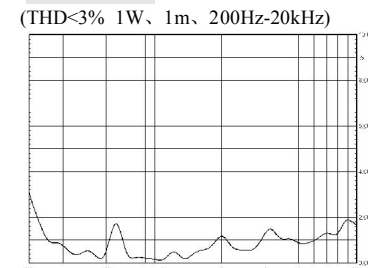
频响特性



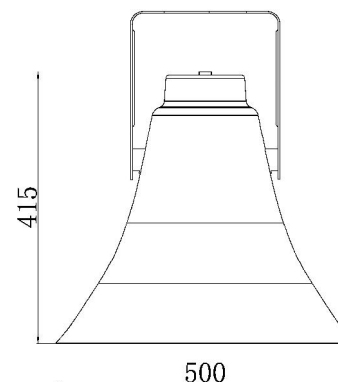
支架安装孔位



失真特性



外形尺寸



安装方法

- 1、在需安装扬声器的位置安装三个直径 8mm 螺丝（如上图）；
- 2、将扬声器支架固定在这三个螺丝上；
- 3、连接音频广播传输线；

功率	线路电压	70V	100V
阻抗	红---白	13W	25W

- 4、最后，调整扬声器角度并检查安装是否牢固可靠。