

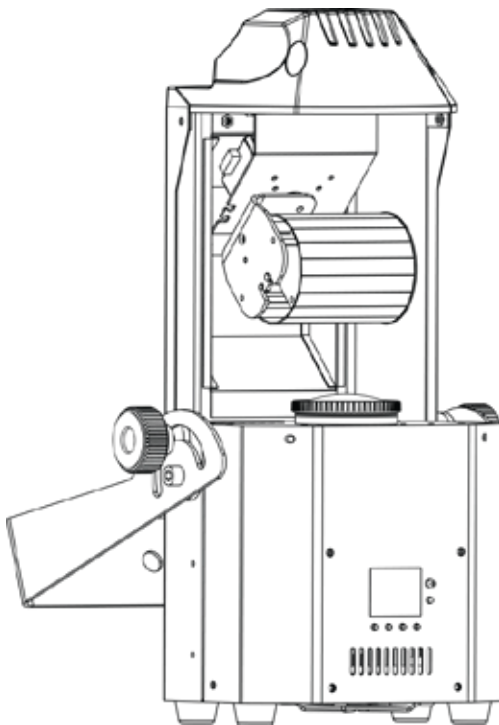
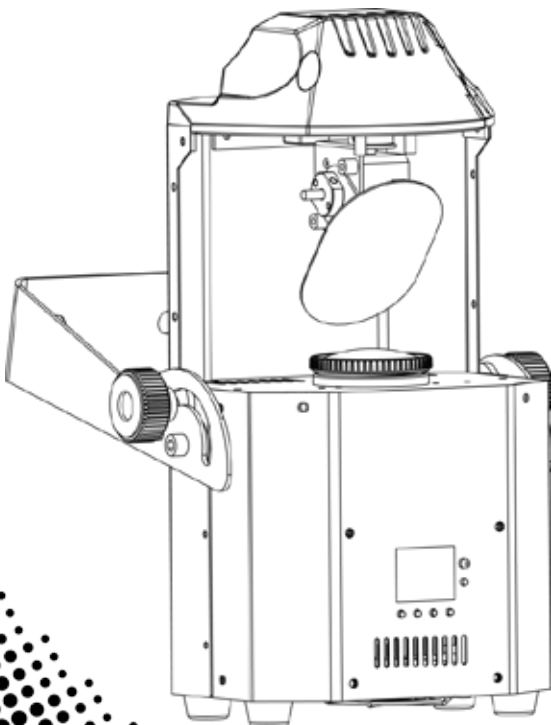
# INTIMIDATOR

SCAN 305 IRC

# INTIMIDATOR

BARREL 305 IRC

User Manual



**CHAUVET®**

# TABLE OF CONTENTS

<b>1. Before You Begin</b> .....	<b>4</b>
What is Included .....	4
Unpacking Instructions.....	4
Claims .....	4
Text Conventions .....	4
Symbols .....	4
Disclaimer .....	4
Product at a Glance .....	5
Safety Notes .....	5
<b>2. Introduction</b> .....	<b>6</b>
Overview .....	6
Dimensions .....	7
<b>3. Setup</b> .....	<b>8</b>
AC Power .....	8
Fuse Replacement.....	8
Power Linking .....	9
Power Linking Diagram.....	9
Mounting .....	10
Orientation .....	10
Rigging .....	10
Rigging Diagram .....	10
<b>4. Operation</b> .....	<b>11</b>
Control Panel Description .....	11
Menu Map .....	11
Configuration (DMX) .....	13
DMX Starting Address .....	13
DMX Personalities .....	13
DMX Channel Assignments and Values.....	14
11-CH .....	14
7CH.....	17
Configuration (Standalone) .....	19
Sound Mode .....	19
Auto Mode .....	19
Manual Mode .....	19
Configuration (Settings) .....	20
Pan Reverse .....	20
Tilt Reverse.....	20
Screen Reverse .....	20
Reset.....	21
Reset to Factory Defaults .....	21
System Information .....	21
IR Mode .....	22
IRC-6 Operation.....	22
Configuration (Master/Slave) .....	23
Configuring the Slaves.....	23
Configuring the Master .....	23
<b>5. Technical Information</b> .....	<b>24</b>

Product Maintenance .....	24
<b>6. Technical Specifications .....</b>	<b>25</b>
<b>Returns.....</b>	<b>26</b>
<b>Contact Us .....</b>	<b>27</b>

# 1. BEFORE YOU BEGIN

## What is Included

- Intimidator Scan 305 IRC or Intimidator Barrel 305 IRC
- Power Cord
- Warranty Card
- Quick Reference Guide

## Unpacking Instructions

Carefully unpack the product immediately and check that all the parts are in the package and are in good condition.

## Claims




If the box or any of the contents appear damaged from shipping, or show signs of mishandling, save all packaging and file a claim with the carrier immediately, do not notify Chauvet. Failure to report damage to the carrier immediately or failure to have all packaging available for inspection may invalidate your claim.

For other issues, such as missing components or parts, damage not related to shipping, or concealed damage, file a claim with Chauvet within 7 days of delivery. For information on contacting Chauvet, see the [Contact Us](#) section of this manual.

## Text Conventions

Convention	Meaning
1-512	A range of values
50/60	A set of values
Settings	A menu option
Menu > Settings	A sequence of menu options
<ENTER>	A button to be pressed
ON	A value to be entered or selected

## Symbols

Symbol	Meaning
	Critical installation, configuration, or operation information. Not following these instructions can make the product not work, cause damage to the product, or cause harm to the operator.
	Important installation or configuration information. The product might not function correctly if this information is not used.
	Useful information.

## Disclaimer

The information and specifications contained in this User Manual are subject to change without notice. Chauvet assumes no responsibility or liability for any errors or omissions, and reserves the right to revise or recreate this manual at any time. The latest version of this manual should be downloaded from <http://www.chauvetlighting.com/product-manuals-literature/>.

© Copyright 2015 Chauvet. All rights reserved.

Electronically published by Chauvet in the United States of America.

Author	Date	Editor	Date
M. Trouard	11/03/15	M. Gregory	11/03/15

**Product at a Glance**

Use on Dimmer	X	Auto Programs	P
Outdoor Use	X	Auto-ranging Power Supply	P
Sound-Activated	P	Replaceable Fuse	P
DMX	P	User-Serviceable	X
Master/Slave	P		

**Safety Notes**

These notes include important information about the mounting, use, and maintenance of this product. Read these notes before using the product.



- Always connect the product to a grounded circuit to avoid the risk of electrocution.
- Make sure the power cord is not crimped or damaged.
- Always disconnect the product from the power source before cleaning it or replacing the fuse.
- Never disconnect the product from the power source by pulling or tugging on the cord.
- If mounting the product overhead, always secure it using a safety cable.
- Make sure there are no flammable materials close to the product when it is operating.
- Avoid direct eye exposure to the light source while the product is on.
- Do not touch the product's housing when the product is operating because the housing can be very hot.



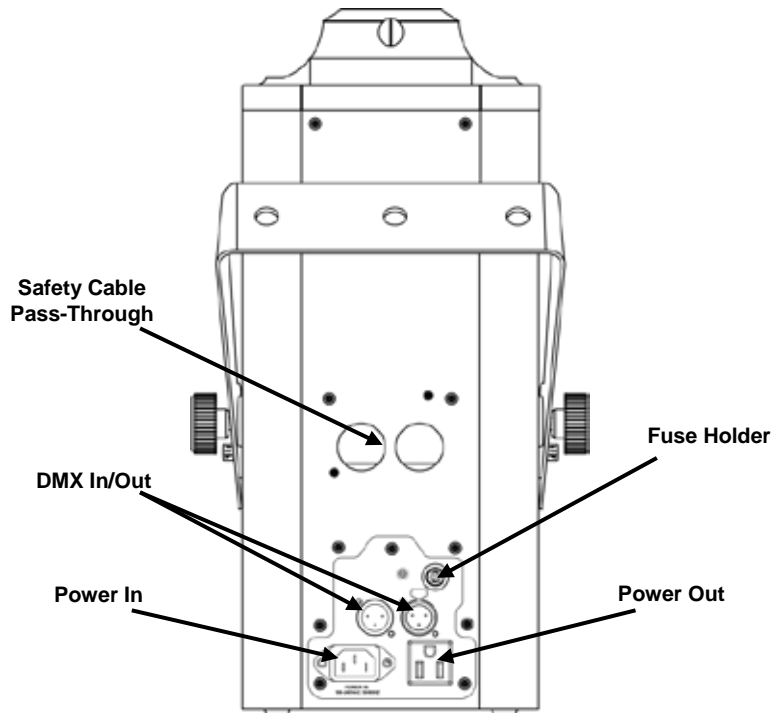
- This product is not intended for permanent installation.
- The product is for indoor use only! It is rated at IP20.
- To prevent risk of fire or shock, do not expose the product to rain or moisture.
- Always make sure that the voltage of the power source to which the product is connected is within the range stated on the sticker or rear panel of the product.
- Never connect the product to a dimmer or rheostat.
- Make sure to replace the fuse with another of the same type and rating.
- Always install the product in a location with adequate ventilation, and leave at least 20 in (50 cm) between the product and adjacent surfaces.
- Always use the handles to carry this product.
- The maximum ambient temperature (Ta) in which the product can be used is 104 °F (40 °C). Do not operate the product at higher temperatures.
- Be sure that no ventilation slots on the product's housing are blocked.
- Never carry the product by the power cord or any moving part.
- In the event of a serious operating problem, stop using the product immediately.
- Never try to repair the product. Repairs carried out by unskilled people can lead to damage or malfunction. Contact the nearest authorized technical assistance center.
- To eliminate wear and improve its lifespan, during periods of non-use completely disconnect from power via breaker or by unplugging it.



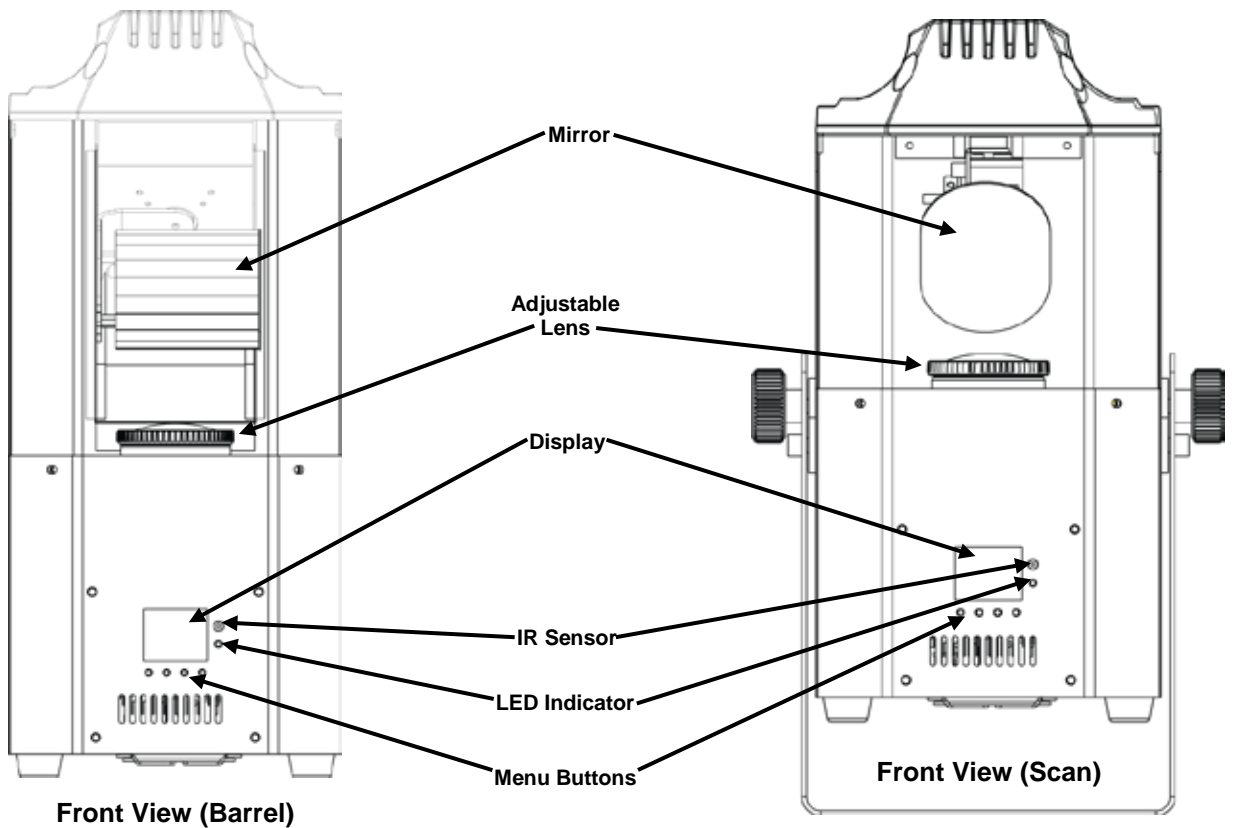
Keep this User Manual for future reference. If you sell the product to another user, be sure to give this manual to the next owner.

# 2. INTRODUCTION

## Overview



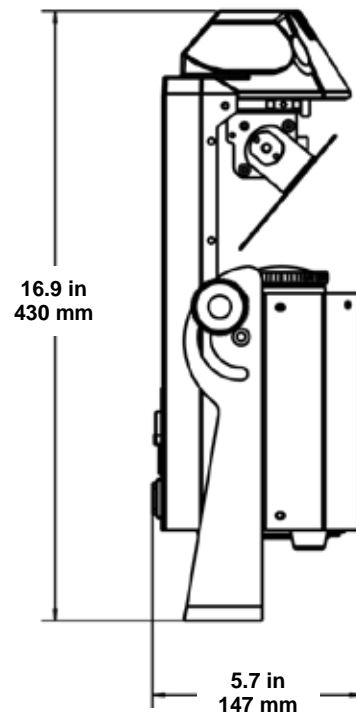
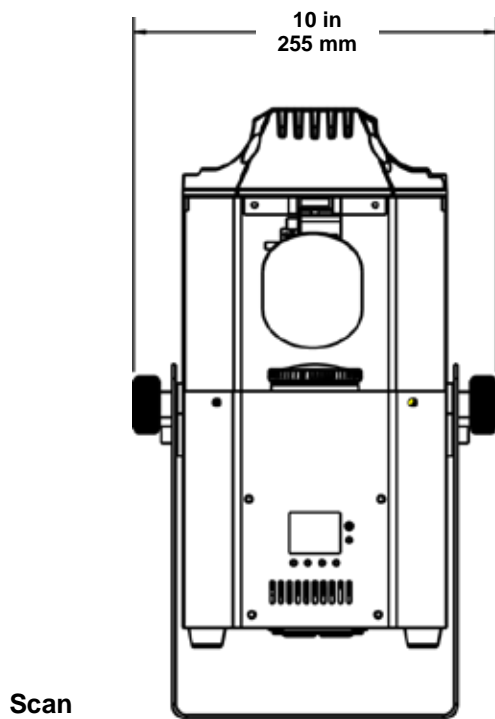
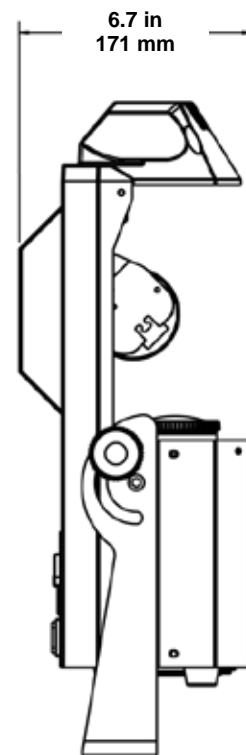
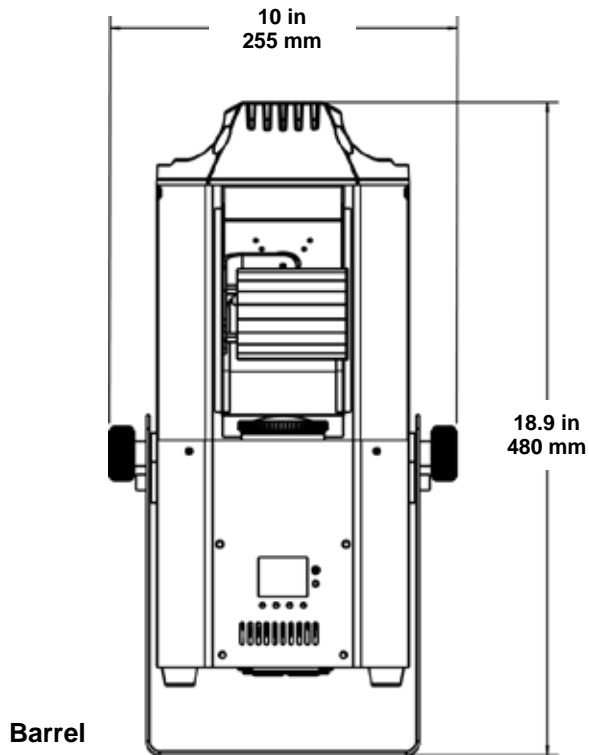
Back Panel View



Front View (Barrel)

Front View (Scan)

# Dimensions



## 3. SETUP

**AC Power** The Intimidator Scan/Barrel 305 IRC have auto-ranging power supplies that work with an input voltage range of 100 to 240 VAC, 50/60 Hz.

To determine the product's power requirements (circuit breaker, power outlet, and wiring), use the values listed on the label affixed to the product's back panel, or refer to the product's Specifications. The listed current rating indicates the product's average current draw under normal conditions.

The Intimidator Scan/Barrel 305 IRC can be power linked via the IEC and Edison outlets in its base.



- **Always connect the product to a protected circuit (circuit breaker or fuse). Make sure circuit has an appropriate electrical ground to avoid the risk of electrocution or fire.**
- **Never connect the product to a rheostat (variable resistor) or dimmer, even if the rheostat or dimmer serves only as a 0 to 100% switch.**
- **To eliminate wear and improve its lifespan, during periods of non-use completely disconnect from power via breaker or by unplugging it.**

### Fuse Replacement

Make sure product is not connected to a power source.

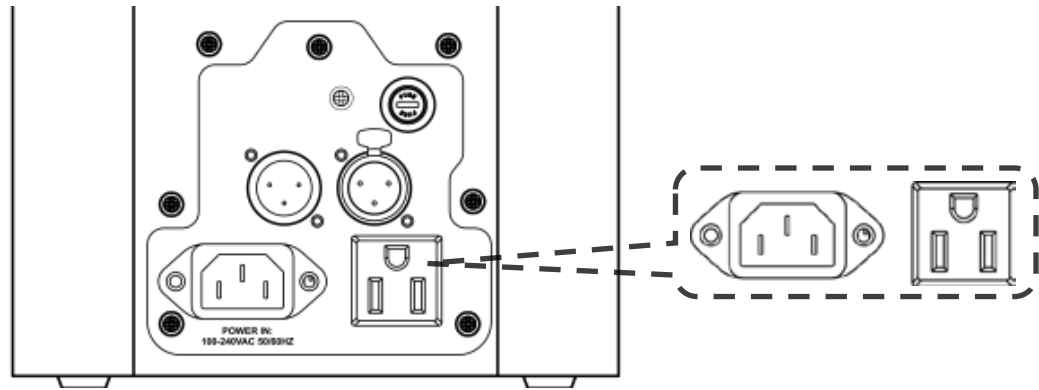
1. Place the tip of a flat-head screwdriver into the slot in the fuse holder.
2. Turn the screwdriver counterclockwise and the fuse holder will come loose.
3. Pull the fuse holder out of the product.
4. Pull the blown fuse out of the fuse holder.
5. Place a new fuse of the exact same type and rating into the fuse holder.
6. Insert the fuse holder into the product.
7. Place the tip of a flat-head screwdriver into the slot in the fuse holder.
8. Turn the screwdriver clockwise and the fuse holder will tighten into place.



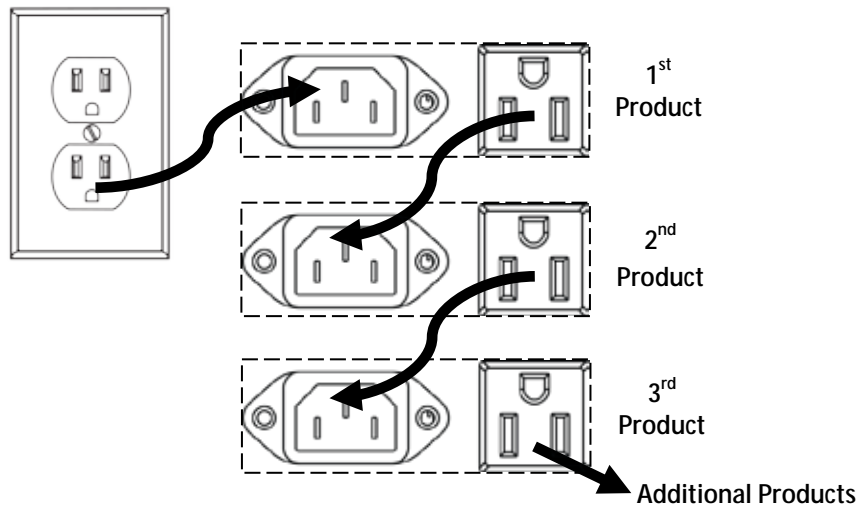
- **Disconnect the product from power before replacing the fuse.**
- **Use only the fuse listed in the Technical Specifications section or on the specifications sticker on the product.**
- **A spare fuse is not included.**



**Power Linking** The product provides power linking via the Edison/IEC outlet located in the back of the unit.



**Power Linking Diagram**



Up to 5 Intimidator Scan/Barrel 305 IRC units can be linked on 120 V, or up to 12 Intimidator Scan/Barrel 305 IRC units on 230 V.



- The power linking diagram shown above corresponds to the North American version of the product ONLY!
- If using this product anywhere other than North America, consult with the local Chauvet distributor because power linking connectors and requirements differ from country to country, and region to region.

## Mounting

Before mounting the product, read and follow the safety recommendations in the [Safety Notes](#) section.

## Orientation

The Intimidator Scan/Barrel 305 IRC can be mounted in any position, but make sure the placement allows adequate ventilation for the product, and allows for movement of the yoke and head in any direction.

## Rigging

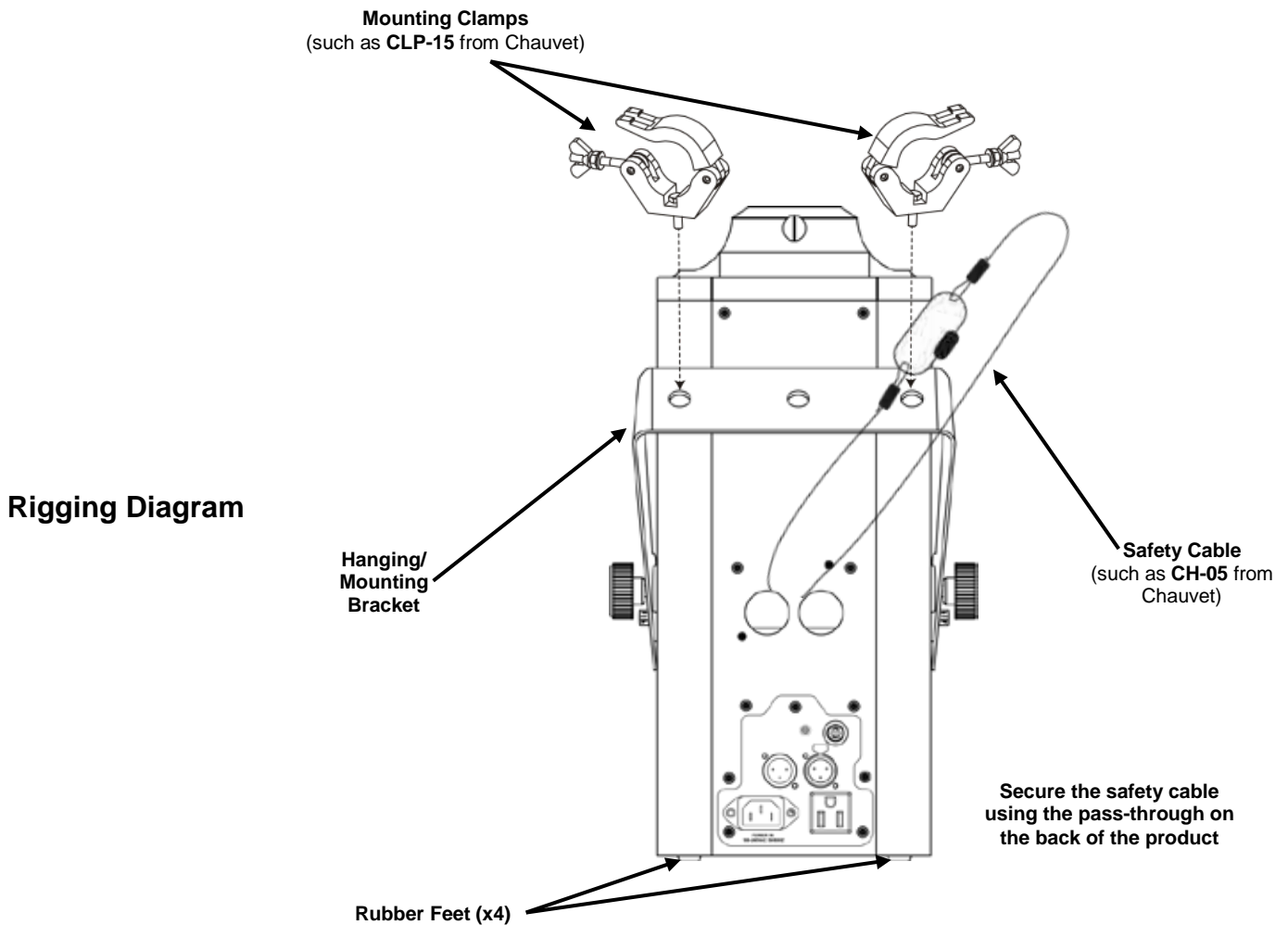
Be sure to place the product in a location that allows easy access to it for maintenance and programming, and enough space around the product for ventilation.

Make sure that the structure or surface onto which the product will be mounted can support the product's weight. For more information see the [Technical Specifications](#) section.

When mounting the product overhead, always use a safety cable and make sure the product is attached securely.

When mounting the product on a truss or pipe, use a mounting clamp with the appropriate weight capacity. Chauvet has a full range of mounting clamps. See <http://www.chauvetlighting.com/cables-clamps-main.html> for the complete selection.

The rubber feet serve as floor supports. When placing the product on the floor, make sure that the product and cables are away from people and vehicles.



## 4. OPERATION

### Control Panel Description

The control panel is used to set the operating mode, and the configuration settings of the product. Use the 4 buttons underneath the LCD display to access the control panel and navigate the menu map. For specific instructions see the Configurations sections below.

Button	Function
<MENU>	Enters into, or backs out of, the current menu option
<UP>	Scrolls up the list of options or selects a higher value
<DOWN>	Scrolls down the list of options or selects a lower value
<ENTER>	Activates a selected menu or value

**Menu Map** The Menu Map presents all the options in the menu system, and the values to set them.

Menu	Value	Description		
<b>Address</b>	<b>001–512</b>	Sets the DMX starting address		
<b>Run Mode</b>	<b>DMX</b>	<b>7CH</b>	Sets DMX personality	
		<b>11CH</b>		
	<b>Slave</b>	<b>Slave1–4</b>	Sets Slave mode	
	<b>Auto</b>		Sets Auto mode	
	<b>Sound</b>		Sets Sound mode	
	<b>IR</b>		Sets infrared control	
	<b>Manual</b>	<b>000–255</b>	<b>Pan</b>	0 to 180°
			<b>Tilt</b>	0 to 90°
			<b>P/T Speed</b>	Pan/Tilt speed (fast to slow)
			<b>Color</b>	Selects color options
			<b>Dimmer</b>	Sets dimmer value
			<b>Shutter</b>	Strobe effect with increasing speed
			<b>Gobo</b>	Selects Gobo options
			<b>Gobo Rotate</b>	Rotation effect with increasing speed
<b>Prism</b>			Selects 3-facet prism	
<b>Special Function</b>			Selects control functions	
<b>P/T Macro</b>	Selects pan/tilt movement macros			

<b>Menu</b>	<b>Value</b>		<b>Description</b>
<b>Setup</b>	<b>Pan Reverse</b>	<b>OFF</b>	Normal pan operation
		<b>ON</b>	Reverse pan operation
	<b>Tilt Reverse</b>	<b>OFF</b>	Normal tilt operation
		<b>ON</b>	Reverse tilt operation
	<b>Screen Reverse</b>	<b>OFF</b>	Normal display
		<b>ON</b>	Upside-down display
	<b>Sensitivity</b>	<b>001—100</b>	Sets sound sensitivity
	<b>Reset</b>		Resets the product
	<b>Factory Set</b>		Loads factory defaults
<b>Sys Info</b>	<b>Ver: VX.X</b> <b>Running Mode: XXXX</b> <b>DMX Address: XXX</b> <b>Temperature: XXX</b>		Shows the current software version, running mode, DMX address and product's temperature

## Configuration (DMX)

To set the product in DMX mode for control with a DMX controller, do the following:

1. Make sure the product is plugged into a power source.
2. Connect the male end of a DMX cable to the DMX out socket of the DMX controller and the female end of the same cable to the DMX in socket on the product.
3. Set the DMX starting address and personality by following the directions below.

## DMX Starting Address

When selecting a starting DMX address, always consider the number of DMX channels needed for the selected DMX personality. Choosing a starting address that is too high can restrict access to some of the product's channels.

The Intimidator Scan/Barrel 305 IRC uses either 7 or 11 channels, depending on the personality. The highest configurable DMX address in 7-channel mode is **506**. The highest configurable DMX address in 11-channel mode is **502**.

For more information about DMX download the Chauvet DMX Primer from the Chauvet web site <http://www.chauvetlighting.com/download>.

To set the DMX starting address, do the following:

1. If the display shows a number from **001–512**, go to step 5.
2. Press **<MENU>** repeatedly until 4 icons show on the display.
3. Use **<UP>** or **<DOWN>** to highlight **Address**.
4. Press **<ENTER>** and a number from **001–512** will show on the display.
5. Use **<UP>** or **<DOWN>** to change the number to the desired DMX starting address.
6. Press **<ENTER>** to select the DMX starting address.

## DMX Personalities

The Intimidator Scan/Barrel 305 IRC has 2 DMX personalities: a 7-channel personality and an 11-channel personality.

To set the DMX personality, do the following:

1. Press **<MENU>** repeatedly until 4 icons show on the display.
2. Use **<UP>** or **<DOWN>** to highlight the **Run Mode** icon.
3. Press **<ENTER>** and the **Run Mode** options will show on the display.
4. Use **<UP>** or **<DOWN>** to highlight **DMX**.
5. Press **<ENTER>**. A green dot will show on the **DMX** option line and the characters **7CH** or **11CH** will show in green.
6. Use **<UP>** or **<DOWN>** to switch between **7CH** and **11CH**.
7. Press **<ENTER>** to select the DMX personality shown.



**After the DMX starting address and personality have been set, there will be a delay of 30 seconds before the display automatically returns to showing the current DMX address and the DMX personality.**

**DMX Channel Assignments and Values** The following table outlines all the capabilities of the Intimidator Scan/ Barrel 305 IRC and the channels that control them when the light is used with a lighting controller.


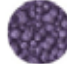





11-CH	Channel	Function	Value	Percent/Setting
	1	Pan	000 ó 255	0–180°
	2	Tilt (Scan)	000 ó 255	0–90°
		Tilt (Barrel)	000 ó 019	Stop
			020 ó 135	Clockwise rotation (slow to fast)
			136 ó 139	Stop
		140 ó 255	Counter-clockwise rotation (slow to fast)	
	3	Pan/Tilt Speed	000 ó 255	Fast to slow
	4	Color	000 ó 006	Open (white)
			007 ó 013	Yellow
			014 ó 020	Purple
			021 ó 027	Green
			028 ó 034	Red
			035 ó 041	Light Blue
			042 ó 048	Kelly Green
			049 ó 055	Orange
			056 ó 063	Dark Blue
			064 ó 070	White + Yellow (split colors)
			071 ó 077	Yellow + Purple (split colors)
			078 ó 084	Purple + Green (split colors)
			085 ó 091	Green + Red (split colors)
			092 ó 098	Red + Blue (split colors)
			099 ó 105	Light Blue + Kelly Green (split colors)
			106 ó 112	Kelly Green + Orange (split colors)
	113 ó 119	Orange + Dark Blue (split colors)		
	120 ó 127	Dark Blue + White (split colors)		
	128 ó 191	Rotate counter-clockwise (slow to fast)		
	192 ó 255	Rotate clockwise (slow to fast)		
	5	Shutter	000 ó 003	Closed
			004 ó 007	Open
			008 ó 076	Synchronized Strobe (slow to fast)
			077 ó 145	Pulse Strobe (slow to fast)
			146 ó 215	Random Strobe (slow to fast)
			216 ó 255	Open

11-CH	Channel	Function	Value	Percent/Setting
	6	Dimmer	000 ó 255	0 to 100%
	7	Gobo Wheel		
			000 ó 007	Open
			008 ó 015	Gobo 1 (glass)
			016 ó 023	Gobo 2 (glass)
			024 ó 031	Gobo 3
			032 ó 039	Gobo 4
			040 ó 047	Gobo 5
			048 ó 055	Gobo 6
			056 ó 063	Gobo 7
			064 ó 071	Gobo 7 shake, fast to slow
			072 ó 079	Gobo 6 shake, fast to slow
			080 ó 087	Gobo 5 shake, fast to slow
			088 ó 095	Gobo 4 shake, fast to slow
			096 ó 103	Gobo 3 shake, fast to slow
			104 ó 111	Gobo 2 (glass) shake, fast to slow
			112 ó 119	Gobo 1 (glass) shake, fast to slow
			120 ó 127	Open
			128 ó 191	Gobo scroll: counter-clockwise rotation
			192 ó 255	Gobo scroll: clockwise rotation
			8	Gobo Rotation
	064 ó 147	Rotate (slow to fast)		
	148 ó 231	Rotate opposite (slow to fast)		
	232 ó 255	Gobo bounce		
	9	Prism	000 ó 007	Prism
			008 ó 255	Stop, static prism effect

11-CH	Channel	Function	Value	Percent/Setting
10	10	Operating Mode	000 ó 007	No function
			008 ó 015	Pan/tilt move-in-black
			016 ó 023	Pan/tilt move-in-black (disable)
			024 ó 031	Color wheel move-in-black
			032 ó 039	Gobo wheel move-in-black (disable)
			040 ó 047	Gobo wheel move-in-black
			048 ó 055	Color wheel and Gobo wheel move-in-black (disable)
			056 ó 063	Fast movement
			064 ó 087	Fast movement (disable)
			088 ó 095	All movement move-in-black (disable)
			096 ó 103	Reset pan/tilt
			104 ó 111	No function
			112 ó 119	Reset color wheel
			120 ó 127	Reset gobo wheel
			128 ó 135	No function
			136 ó 143	Reset prism
			144 ó 151	No function
			152 ó 159	Reset all
			160 ó 255	No function
			11	11
008 ó 023	Automatic 1			
024 ó 039	Automatic 2			
040 ó 055	Automatic 3			
056 ó 071	Automatic 4			
072 ó 087	Automatic 5			
088 ó 103	Automatic 6			
104 ó 119	Automatic 7			
120 ó 135	Automatic 8			
136 ó 151	Sound 1			
152 ó 167	Sound 2			
168 ó 183	Sound 3			
184 ó 199	Sound 4			
200 ó 215	Sound 5			
216 ó 231	Sound 6			
232 ó 247	Sound 7			
248 ó 255	Sound 8			



7CH	Channel	Function	Value	Percent/Setting
	1	Pan	000 ó 255	0 to 180°
	2	Tilt (Scan)	000 ó 255	0 to 90°
		Tilt (Barrel)	000 ó 019	Stop
			020 ó 135	Clockwise rotation (slow to fast)
			136 ó 139	Stop
			140 ó 255	Counter-clockwise rotation (slow to fast)
	3	Color	000 ó 006	Open (white)
			007 ó 013	Yellow
			014 ó 020	Purple
			021 ó 027	Green
			028 ó 034	Red
			035 ó 041	Light Blue
			042 ó 048	Kelly Green
			049 ó 055	Orange
			056 ó 063	Dark Blue
			064 ó 070	White + Yellow (split colors)
			071 ó 077	Yellow + Purple (split colors)
			078 ó 084	Purple + Green (split colors)
			085 ó 091	Green + Red (split colors)
			092 ó 098	Red + Blue (split colors)
			099 ó 105	Light Blue + Kelly Green (split colors)
			106 ó 112	Kelly Green + Orange (split colors)
			113 ó 119	Orange + Dark Blue (split colors)
	120 ó 127	Dark Blue + White (split colors)		
	128 ó 191	Rotate counter-clockwise (slow to fast)		
	192 ó 127	Rotate clockwise (slow to fast)		
	4	Shutter	000 ó 003	Closed
			004 ó 007	Open
			008 ó 076	Synchronized Strobe (slow to fast)
			077 ó 145	Pulse Strobe (slow to fast)
			146 ó 215	Random Strobe (slow to fast)
			216 ó 255	Open

7CH	Channel	Function	Value	Percent/Setting
			      	
	<b>5</b>	<b>Gobo Wheel</b>	000 ó 007	Open
			008 ó 015	Gobo 1 (glass)
			016 ó 023	Gobo 2 (glass)
			024 ó 031	Gobo 3
			032 ó 039	Gobo 4
			040 ó 047	Gobo 5
			048 ó 055	Gobo 6
			056 ó 063	Gobo 7
			064 ó 071	Gobo 7 shake, fast to slow
			072 ó 079	Gobo 6 shake, fast to slow
			080 ó 087	Gobo 5 shake, fast to slow
			088 ó 095	Gobo 4 shake, fast to slow
			096 ó 103	Gobo 3 shake, fast to slow
			104 ó 111	Gobo 2 (glass) shake, fast to slow
			112 ó 119	Gobo 1 (glass) shake, fast to slow
			120 ó 127	Open
			128 ó 191	Gobo scroll: counter-clockwise rotation
	192 ó 255	Gobo scroll: clockwise rotation		
	<b>6</b>	<b>Gobo Rotation</b>	000 ó 063	Gobo indexing
			064 ó 147	Rotate (slow to fast)
			148 ó 231	Rotate opposite (slow to fast)
			232 ó 255	Gobo bounce
	<b>7</b>	<b>Prism</b>	000 ó 007	Prism
			008 ó 255	Stop, static prism effect

## Configuration (Standalone)

Use standalone configurations to operate the product without a DMX controller.



**Never connect a product operating in a standalone mode (Sound, Auto, or IR) to a DMX chain that includes a DMX controller. Products in standalone mode can transmit DMX signals that interfere with the DMX signals from the controller**

### Sound Mode

Sound mode sets the product to respond to sounds and music.

To set the product to Sound mode, do the following:

1. Make sure the product is connected to a power source and not connected to a DMX controller.
2. Press **<MENU>** repeatedly until 4 icons show on the display.
3. Use **<UP>** or **<DOWN>** to highlight the **Run Mode** icon.
4. Press **<ENTER>** and the **Run Mode** options will show on the display.
5. Use **<UP>** or **<DOWN>** to highlight the **Sound** option.
6. Press **<ENTER>**. A green dot will show on the **Sound** option line and the product will begin reacting to sound.



**The product will respond only to low frequencies of music (bass and drums).**

**If the product is not responding to sound, increase the sensitivity. For more information see the [Sensitivity Setting](#) below.**

### Auto Mode

Auto mode sets the product to 1 of 16 preset movement patterns and color changes.

To set the product to Auto mode, do the following:

1. Make sure the product is connected to a power source and not connected to a DMX controller.
2. Press **<MENU>** repeatedly until 4 icons show on the display.
3. Use **<UP>** or **<DOWN>** to highlight the **Run Mode** icon.
4. Press **<ENTER>** and the **Run Mode** options will show on the display.
5. Use **<UP>** or **<DOWN>** to highlight the **Auto** option.
6. Press **<ENTER>**. A green dot will show on the **Auto** option line and the product will begin moving and emitting light.

### Manual Mode

Manual mode allows the user to control every function of the Intimidator Scan/Barrel 305 IRC through the LCD display. To run the product in Manual mode, follow the instructions below:

1. Make sure the product is connected to a power source and not connected to a DMX controller.
2. Press **<MENU>** repeatedly until 4 icons show on the display.
3. Use **<UP>** or **<DOWN>** to highlight the **Run Mode** icon.
4. Press **<ENTER>** and the **Run Mode** options will show on the display.
5. Use **<UP>** or **<DOWN>** to highlight the **Manual** option.
6. Press **<ENTER>** and the **Manual** options will show on the display.
7. Use **<UP>** or **<DOWN>** to select **Pan, Tilt, P/T Speed, Color, Dimmer, Shutter, Gobo, Gobo Rotate, Prism, Special Function, or P/T Macro**.
8. Press **<ENTER>** and the current value (**000–255**) of the selected function will be highlighted.
9. Use **<UP>** or **<DOWN>** to increase or decrease the value of the selected function.
10. Press **<ENTER>**.
11. Repeat steps 7–10 until the product is set as desired.

## Configuration (Settings)

The Intimidator Scan/Barrel 305 IRC can be customized with settings such as pan direction, screen orientation, and sound sensitivity. Below are instructions for configuring all the settings available.

### Pan Reverse

Reversing the pan movement is useful when 2 lights are facing each other and they both need to turn toward the same direction.

To reverse the pan movement do the following:

1. Press **<MENU>** repeatedly until 4 icons show on the display.
2. Use **<UP>** or **<DOWN>** to highlight the **Setup** icon.
3. Press **<ENTER>**. The **Setup** options will show on the display.
4. Use **<UP>** or **<DOWN>** to highlight the **Pan Reverse** option.
5. Press **<ENTER>**. The words **ON** or **OFF** will show in green.
6. Use **<UP>** or **<DOWN>** to switch between **ON** and **OFF**.
7. Press **<ENTER>** to select the setting.

### Tilt Reverse

Reversing the tilt movement is useful when 2 lights are facing each other and they need to point towards the same space between them.

To reverse the tilt movement, do the following: Press **<MENU>** repeatedly until 4 icons show on the display.

1. Use **<UP>** or **<DOWN>** to highlight the **Setup** icon.
2. Press **<ENTER>**. The **Setup** options will show on the display.
3. Use **<UP>** or **<DOWN>** to highlight the **Tilt Reverse** option.
4. Press **<ENTER>**. The words **ON** or **OFF** will show in green.
5. Use **<UP>** or **<DOWN>** to switch between **ON** and **OFF**.
6. Press **<ENTER>** to select the setting.

### Screen Reverse

The display can show the screen in two directions, one for when the fixture is standing and one for when it is mounted upside-down.

To set the display orientation, do the following:

1. Press **<MENU>** repeatedly until 4 icons show on the display.
2. Use **<UP>** or **<DOWN>** to highlight the **Setup** icon.
3. Press **<ENTER>**. The **Setup** options will show on the display.
4. Use **<UP>** or **<DOWN>** to highlight the **Screen Reverse** option.
5. Press **<ENTER>**. The words **ON** or **OFF** will show in green.
6. Use **<UP>** or **<DOWN>** to switch between **ON** (upside-down display) and **OFF** (normal display).
7. Press **<ENTER>** to select the setting.

**Reset** Resetting will restart the product. It does not change any settings. Resetting is a helpful troubleshooting tool, and can be used if the product has stopped responding to control, or if the control system has suffered a failure.

To reset the product, do the following:

1. Press **<MENU>** repeatedly until 4 icons show on the display.
2. Use **<UP>** or **<DOWN>** to highlight the **Setup** icon.
3. Press **<ENTER>**. The **Setup** options will show on the display.
4. Use **<UP>** or **<DOWN>** to highlight the **Reset** option.
5. Press **<ENTER>**. The product will immediately reset.

### **Reset to Factory Defaults**

Resetting to factory defaults will clear out all customized settings and return the settings to the factory defaults. Resetting to factory defaults can be used if the product is behaving inconsistently.

To reset the product to factory default settings, do the following:

1. Press **<MENU>** repeatedly until 4 icons show on the display.
2. Use **<UP>** or **<DOWN>** to highlight the **Setup** icon.
3. Press **<ENTER>**. The **Setup** options will show on the display.
4. Use **<UP>** or **<DOWN>** to highlight the **Factory Set** option.
5. Press **<ENTER>**. The product will immediately reset to factory default settings.

### **System Information**

To see the product's current software version, running mode, DMX address and temperature, do the following:

1. Press **<MENU>** repeatedly until 4 icons show on the display.
2. Use **<UP>** or **<DOWN>** to highlight the **Sys Info** icon.
3. Press **<ENTER>**. The current information about the product will show on the display.

**IR Mode** IR mode allows the product to be controlled with an infrared remote controller. The IRC-6 can remotely set the product to various modes; adjust the color, speed and sensitivity; and set the strobe.

To set the product to IR mode, do the following:

Make sure the product is plugged into a power source and not connected to a DMX cable.

1. Press **<MENU>** repeatedly until 4 icons show on the display.
2. Use **<UP>** or **<DOWN>** to highlight the **Run Mode** icon.
3. Press **<ENTER>**. The **Run Mode** options will show on the display.
4. Use **<UP>** or **<DOWN>** to highlight the **IR** option.
5. Press **<ENTER>**. A green dot will show on the **IR** option line and the product will begin moving and emitting light.

### IRC-6 Operation

The IRC-6 infrared controller (available from Chauvet) allows remote control of the Intimidator Scan/Barrel 305 IRC.

**Be sure the IRC-6 remote is pointing directly at the product and there is nothing in between the remote and the product.**

**Some of the buttons on the remote work differently than what is indicated on their labels. For example:**

- **<MANUAL>** controls the gobo selection.
- **<R>**, **<G>**, **<B>**, **<A>**, **<UV>**, and **<W>** control the other manual functions.

**Please read the next section carefully.**

**The list below describes which features each button controls.**

- **<BLACKOUT>** - Turns LEDs on and off.
- **<AUTO>** - Activates Auto mode. Use the **<+>** and **<->** buttons to cycle through Auto modes.
- **<SOUND>** - Activates Sound mode.
- **<STROBE>** - Activates the strobe. Use the **<+>** and **<->** buttons to cycle through strobe speeds.
- **<SPEED>** - Adjusts the movement speed. Use the **<+>** and **<->** buttons to cycle through movement speeds.
- **<SENSITIVITY>** - Adjusts sound sensitivity. Use the **<+>** and **<->** buttons to cycle through sound sensitivity levels.
- **<%>** - Adjusts the brightness of the LEDs. Use the **<+>** and **<->** buttons to increase or decrease the brightness of the LEDs.
- **<MANUAL>** - Cycle through static gobos.
- **<FADE/SNAP>** or **<FADE>** - Cycle through static colors.
- **<R>** - Sets the color wheel rotation speed. Use the **<+>** and **<->** buttons to increase or decrease the color wheel rotation speed.
- **<G>** - Sets the gobo wheel rotation speed. Use the **<+>** and **<->** buttons to increase or decrease the gobo wheel rotation speed.
- **<B>** - Sets **CG. AUTO** mode. Colors and gobos will cycle automatically.
- **<A>** - Sets **R/T PAN/TILT**. Press **<A>** to toggle **PAN** and **TILT**. Use the **<+>** and **<->** buttons to increase or decrease the selected value.
- **<W>** - Sets the prism value. Use the **<+>** and **<->** buttons to increase or decrease the prism value.
- **<+>** - Increases values for controls as described above.
- **<->** - Decreases values for controls as described above.
- **<0>**–**<9>** - Activates specific Auto modes. Can be used as a shortcut for the combination of the **<AUTO>** button and the **<+>** and **<->** buttons.
- **<UV>** or **<P>** - Has no function with this product.



## Configuration (Master/Slave)

Master/Slave mode allows a single Intimidator Scan/Barrel 305 IRC (the master) to control the actions of one or more Intimidator Scan/Barrel 305 IRCs (the slaves) without a DMX controller.

In Master/Slave mode the master is set to operate in Auto mode, Sound mode, or IR mode and the slaves are set to operate in Slave mode.

The master and slaves are daisy chained through the DMX input and output ports with the master at the beginning of the chain. Once set and connected, the slaves will operate identically to, and in unison with, the master.



- **Always put the male DMX connector into the master. Do not connect to the DMX In port on the master.**
- **Never connect more than 31 slaves to the master.**
- **Never connect a DMX controller to a DMX daisy chain of master and slaves.**
- **Configure all the slaves before connecting the master to the DMX daisy chain.**

### Configuring the Slaves

Configure the slaves for Slave mode before or after they are put in position, and before they are daisy chained to the master.

To configure a slave, do the following:

1. Make sure the product is connected to a power source.
2. Press **<MENU>** repeatedly until 4 icons show on the display.
3. Use **<UP>** or **<DOWN>** to highlight the **Run Mode** icon.
4. Press **<ENTER>**. The **Run Mode** options will show on the display.
5. Use **<UP>** or **<DOWN>** to highlight the **Slave** option.
6. Press **<ENTER>**. The current Slave mode will be highlighted.
7. Use **<UP>** or **<DOWN>** to select the Slave mode.
  - Select **Slave1** for 100% synchronized actions.
  - Select **Slave2**, **Slave3**, or **Slave4** for a delayed show, creating a wave effect.

### Configuring the Master

Configure the master after all the slaves are connected to it and configured.

To configure the master, do the following:

1. Make sure the product is connected to a power source and connected to all of the slaves.
2. Press **<MENU>** repeatedly until 4 icons show on the display.
3. Use **<UP>** or **<DOWN>** to highlight the **Run Mode** icon.
4. Select any of the Standalone modes as described in [Configuration \(Standalone\)](#).

## 5. TECHNICAL INFORMATION

### **Product Maintenance**

Dust build-up on the lens reduces light output. Dust build-up on the body and fans can cause overheating and mechanical wear, which can reduce the usable life of the product.

To maintain optimum performance and minimal wear in a normal environment, clean the product at least twice a month. If the environment is particularly dusty, clean the product more often.

For best results follow the suggestions listed below:

1. Never clean the product when it is plugged into a power source.
2. Only clean the product when it is at room temperature.
3. Use a vacuum (or dry compressed air) and a soft brush to remove dust collected on the external surfaces and in the vents.
4. Use a mild soap solution, ammonia-free glass cleaner, or isopropyl alcohol to clean all the external optics and glass or transparent surfaces.
5. Apply the cleaning solution directly to a soft, lint-free cotton cloth or a lens cleaning tissue.
6. Gently wipe dirt and grime to the outside edges of the external optics and glass or transparent surfaces.
7. Gently polish the external optics and glass or transparent surfaces until they are free of haze and lint.



**Always dry the external optics and glass/transparent surfaces carefully after cleaning them.**



**Do not spin the cooling fans while blowing compressed air into them.**



## 6. TECHNICAL SPECIFICATIONS

<b>Dimensions and Weight</b>	<b>Length (Scan)</b>	<b>Width (Scan)</b>	<b>Height (Scan)</b>	<b>Weight (Scan)</b>
	16.9 in (430 mm)	10 in (255 mm)	5.7 in (147 mm)	10 lb (4.6 kg)
	<b>Length (Barrel)</b>	<b>Width (Barrel)</b>	<b>Height (Barrel)</b>	<b>Weight (Barrel)</b>
	18.9 in (480 mm)	10 in (255 mm)	6.7 in (171 mm)	10.4 lb (4.8 kg)
	<b>Note:</b> Dimensions in inches are rounded to the nearest decimal digit			
<b>Power</b>	<b>Power Supply Type</b>	<b>Range</b>		<b>Voltage Selection</b>
	Switching (internal)	100 to 240 VAC, 50/60 Hz		Auto-ranging
	<b>Parameter</b>	<b>120 V, 60 Hz</b>		<b>230 V, 50 Hz</b>
	Consumption	104 W		102 W
	Operating current	1.5 A		0.8 A
	Fuse	F 3 A, 250 V		F 3 A, 250 V
	<b>Power I/O</b>	<b>US/Canada</b>		<b>UK/Worldwide</b>
	Power input connector	IEC		IEC
	Power output connector	Edison (US)		N/A
	Power cord plug	Edison (US)		Local plug
	Power linking current (units)	13.6 A (5 units)		13.6 A (10 units)
<b>Light Source</b>	<b>Type</b>	<b>Power</b>		<b>Lifespan</b>
	LED	60 W		50,000 hours
	<b>Color</b>	<b>Quantity</b>		<b>Current</b>
	White	1		2.3 A
<b>Photo Optic</b>	<b>Parameter</b>	<b>Scan</b>		<b>Barrel</b>
	Illuminance @ 2 m	9,110 lux		1,630 lux (per beam)
	Beam angle	15°		12°
	Strobe rate	0–35 Hz		0–35 Hz
	Pan	180°		180°
	Tilt	90°		360° (continuous)
<b>Thermal</b>	<b>Maximum External Temp.</b>	<b>Cooling System</b>		
	104 °F (40 °C)	Fan-cooled		
<b>DMX</b>	<b>I/O Connectors</b>	<b>Connector Type</b>		<b>Channel Range</b>
	3-pin XLR	Sockets		7 or 11
<b>Ordering</b>	<b>Product Name</b>	<b>Item Code</b>		<b>UPC Number</b>
	Intimidator Scan 305 IRC	08021029		781462213770
	Intimidator Barrel 305 IRC	08021047		781462213954



# RETURNS

In case you need to get support or return a product:

- If you are located in the U.S., contact Chauvet World Headquarters.
- If you are located in the UK or Ireland, contact Chauvet Europe Ltd.
- If you are located in Mexico, contact Chauvet Mexico.
- If you are located in Benelux, contact Chauvet Europe BVBA.
- If you are located in any other country, DO NOT contact Chauvet. Instead, contact your local distributor. See [www.chauvetlighting.com](http://www.chauvetlighting.com) for distributors outside the U.S., UK, Ireland, Mexico, or Benelux.



**If you are located outside the U.S., UK, Ireland, Mexico, or Benelux, contact your distributor of record and follow their instructions on how to return Chauvet products to them. Visit our website [www.chauvetlighting.com](http://www.chauvetlighting.com) for contact details.**

Call the corresponding Chauvet Technical Support office and request a Return Merchandise Authorization (RMA) number before shipping the product. Be prepared to provide the model number, serial number, and a brief description of the cause for the return.

Send the merchandise prepaid, in its original box, and with its original packing and accessories. Chauvet will not issue call tags.

Clearly label the package with the RMA number. Chauvet will refuse any product returned without an RMA number.



**Write the RMA number on a properly affixed label. DO NOT write the RMA number directly on the box.**

Before sending the product, clearly write the following information on a piece of paper and place it inside the box:

- Your name
- Your address
- Your phone number
- RMA number
- A brief description of the problem

Be sure to pack the product properly. Any shipping damage resulting from inadequate packaging will be your responsibility. FedEx packing or double-boxing are recommended.



**Chauvet reserves the right to use its own discretion to repair or replace returned product(s).**

# CONTACT US

## USA WORLD HEADQUARTERS

### General Information

Address: 5200 NW 108<sup>th</sup> Avenue  
Sunrise, FL 33351  
Voice: (954) 577-4455  
Fax: (954) 929-5560  
Toll free: (800) 762-1084

### Technical Support

Voice: (954) 577-4455 (Press 4)  
Fax: (954) 756-8015  
Email: [tech@chauvetlighting.com](mailto:tech@chauvetlighting.com)

World Wide Web [www.chauvetlighting.com](http://www.chauvetlighting.com)

## EUROPE.

### General Information

Address: Stokstraat 18  
9770 Kruishoutem  
Belgium  
Voice: +32 9 388 93 97

### General Information

Address: Unit 1C  
Brookhill Road Industrial Estate  
Pinxton, Nottingham, UK  
NG16 6NT  
Voice: +44 (0)1773 511115  
Fax: +44 (0)1773 511110

### Technical Support

Email: [Eutech@chauvetlighting.eu](mailto:Eutech@chauvetlighting.eu)

World Wide Web [www.chauvetlighting.eu](http://www.chauvetlighting.eu)

### Technical Support

Email: [uktech@chauvetlighting.com](mailto:uktech@chauvetlighting.com)

World Wide Web [www.chauvetlighting.co.uk](http://www.chauvetlighting.co.uk)

## MEXICO

### General Information

Address: Av. Santa Ana 30  
Parque Industrial Lerma  
Lerma, Mexico C.P. 52000  
Voice: +52 (728) 285-5000

### Technical Support

Email: [servicio@chauvet.com.mx](mailto:servicio@chauvet.com.mx)

World Wide Web [www.chauvet.com.mx](http://www.chauvet.com.mx)

Outside the U.S., United Kingdom, Ireland, Mexico, or Benelux contact your dealer. Follow their instructions to request support or to return a product. Visit our website for contact details.