

HDL 26-A

ACTIVE TWO WAY LINE ARRAY MODULE

DESCRIPTION

The RCF HDL26-A is an ultra-compact bi-amped two-way active touring system for small and medium-sized events, both indoors and outdoors. Due to the advanced transducer design and the 2000W Class-D amplifier, among the best in its class, it is capable of an extended bottom-end and a pristine sound for a wide range of applications, alone or in RDNet managed line-array configurations.

The HDL 35-AS is the ideal flyable bass complement for the HDL 26-A array system.



FEATURES

- 133 dB Max SPL
- 2000W Two-Way Amplifier
- Exclusive FiRPHASE technology on-board
- 750 Hz Crossover for best vocal reproduction
- RDNet Networked Management
- 1.5" Titanium Compression Driver
- 2 x 6" High-Powered Neodymium Woofers
- 4 PATH waveguide



TECHNICAL SPECIFICATIONS

Acoustical specifications	Frequency Response:	55 Hz ÷ 20000 Hz
	Max SPL @ 1m:	133 dB
	Horizontal coverage angle:	100°
	Vertical coverage angle:	10°
Transducers	Compression Driver:	1 x 1.5" neo, 3.0" v.c
	Woofers:	2 x 6.0" neo, 2.0" v.c
Input/Output section	Input signal:	bal/unbal
	Input connectors:	XLR
	Output connectors:	XLR
	Input sensitivity:	+4 dBu
Processor section	Crossover Frequencies:	750
	Protections:	Thermal, RMS
	Limiter:	Soft Limiter
	Controls:	Preset, RDNet bypass
	RDNet:	Yes
Power section	Total Power:	2000 W Peak, 1000 W RMS
	High frequencies:	600 W Peak, 300 W RMS
	Low frequencies:	1400 W Peak, 700 W RMS
	Cooling:	Convection
	Connections:	Powercon IN/OUT
Standard compliance	CE marking:	Yes
Physical specifications	Cabinet/Case Material:	PP Composite
	Hardware:	Array fittings
	Handles:	2 Back
	Grille:	Steel
	Color:	Black
Size	Height:	237 mm / 9.33 inches
	Width:	470 mm / 18.5 inches
	Depth:	377 mm / 14.84 inches
	Weight:	13.5 kg / 29.76 lbs
Shipping informations	Package Height:	260 mm / 10.24 inches
	Package Width:	550 mm / 21.65 inches
	Package Depth:	425 mm / 16.73 inches
	Package Weight:	14.9 kg / 32.85 lbs



PART NUMBER

- **13000606**

HDL 26-A W

White

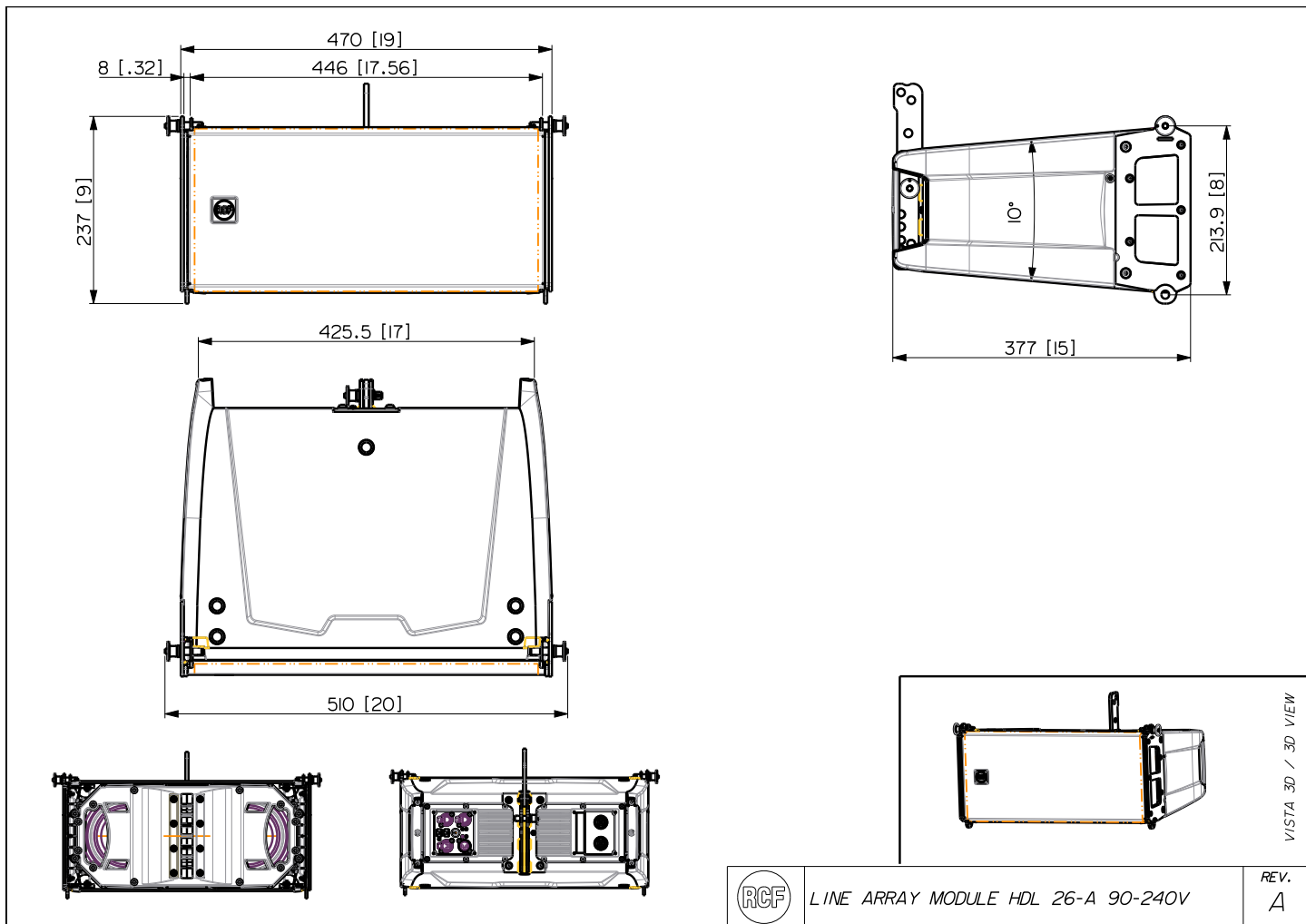
EAN 8024530017422

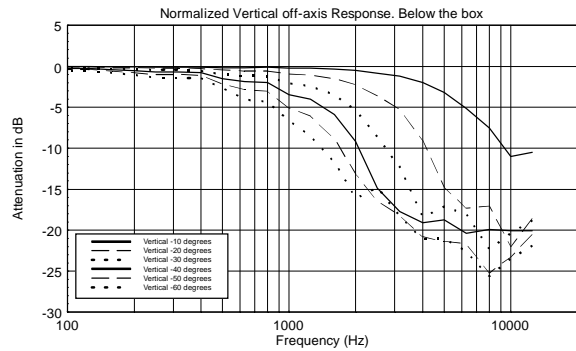
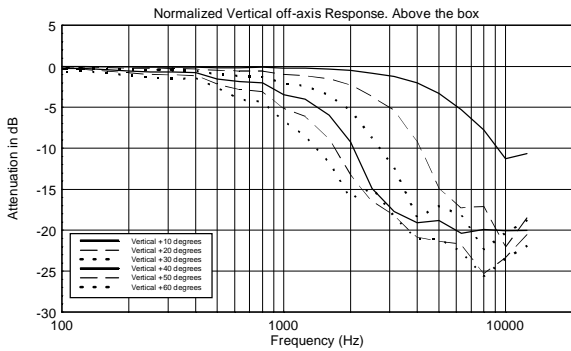
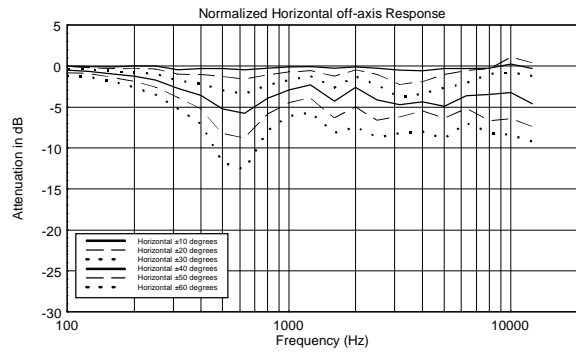
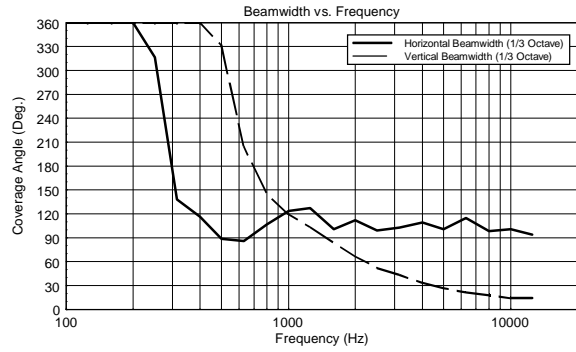
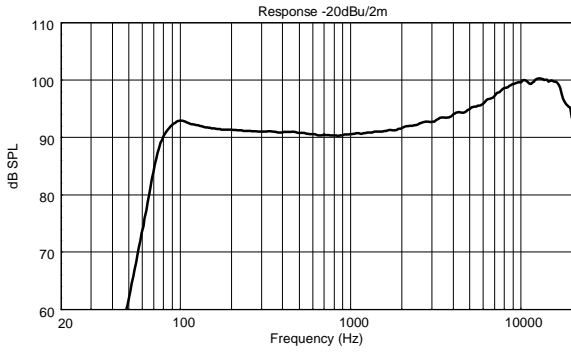
- **13000588**

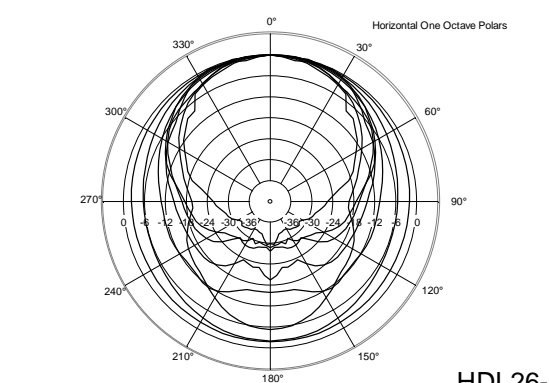
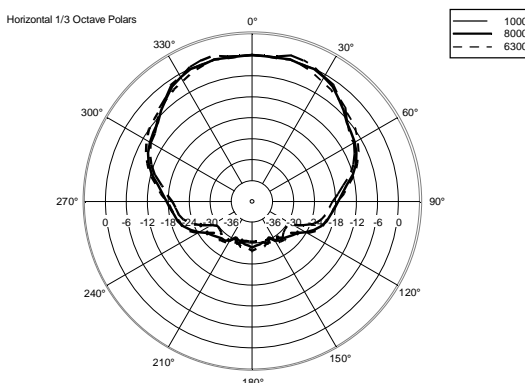
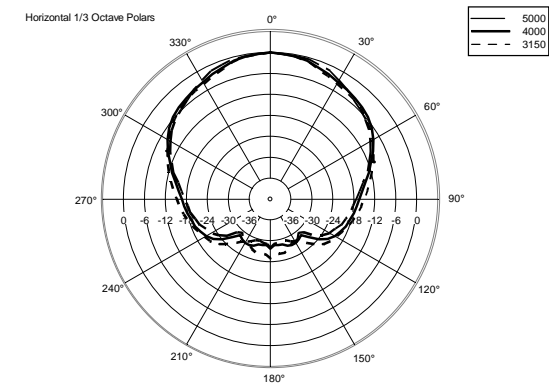
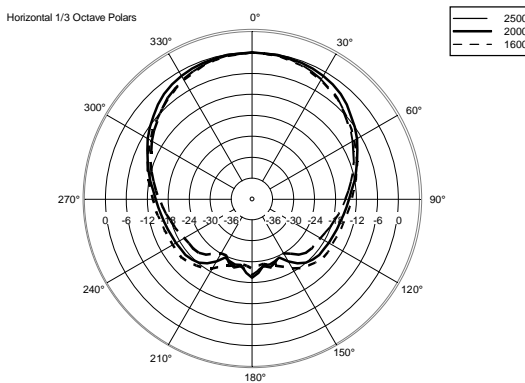
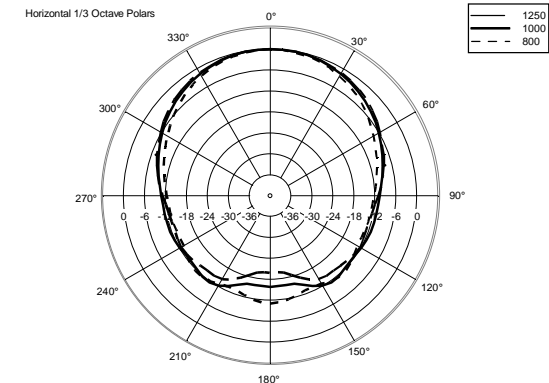
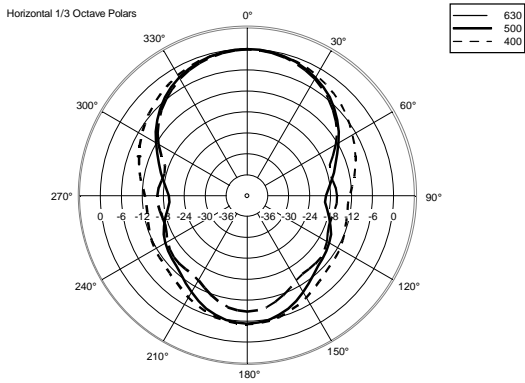
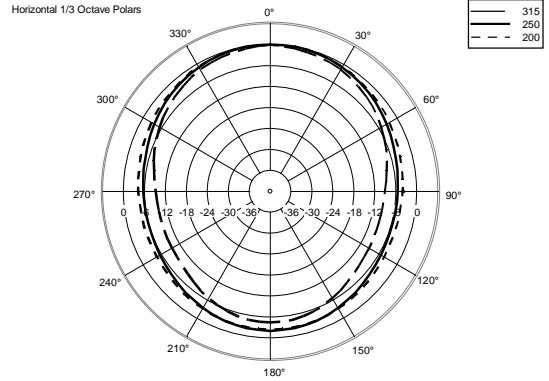
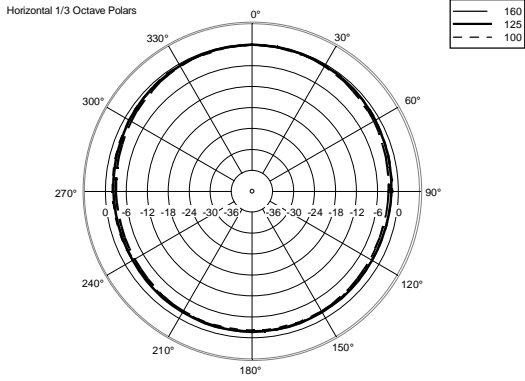
HDL 26-A

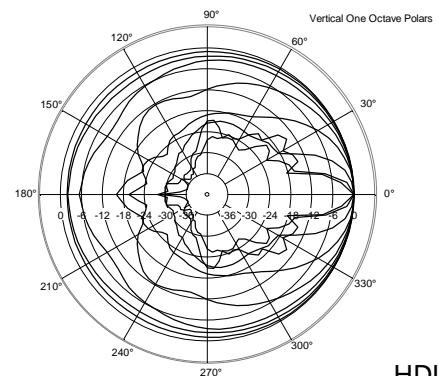
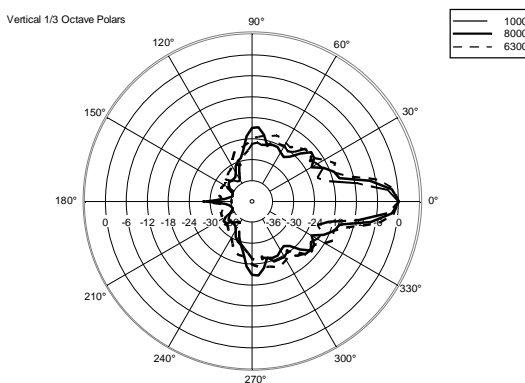
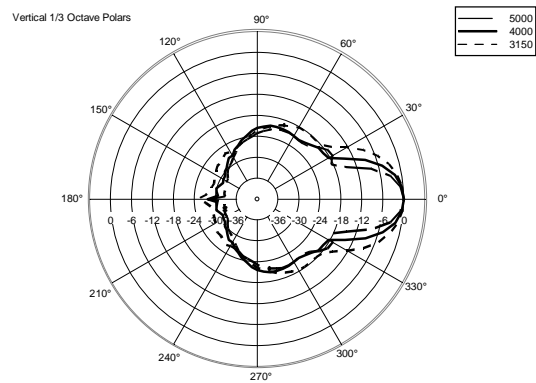
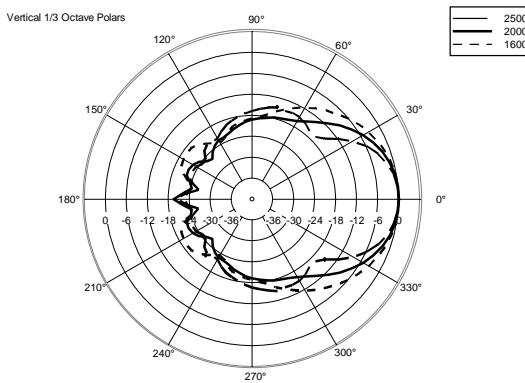
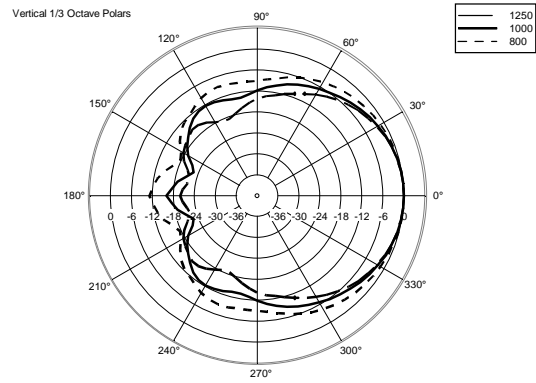
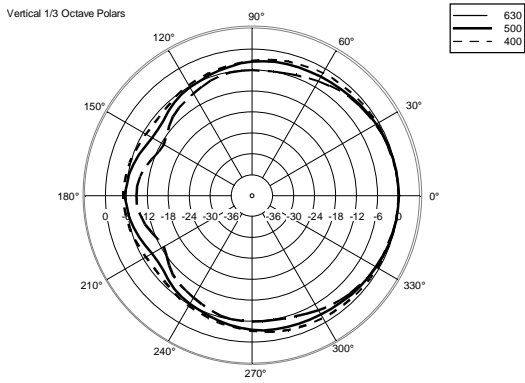
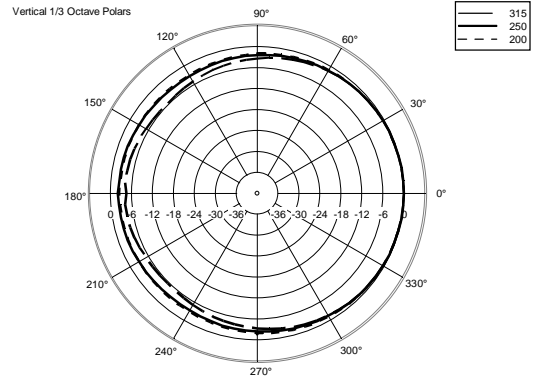
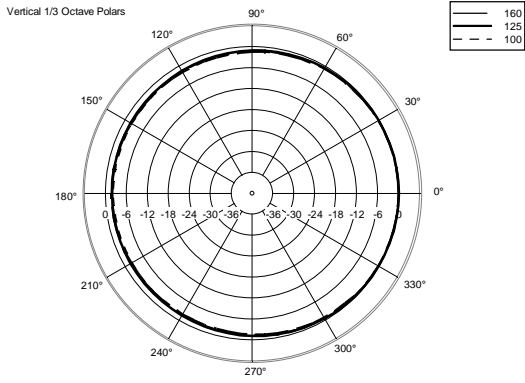
Black

EAN 8024530016845









ACCESSORIES

AC 2X AZIMUT PLATE

PART NUMBER **13360351**
EAN: 8024530013516

AC POWER CABLE 6X TTL55

PART NUMBER **13360138**
EAN:

AC TRUSS CLAMP HDL6

PART NUMBER **13360371**
EAN: 8024530014360

AC XLR-3M3F XLR CONN. 3MALE3FEMALEXCABLE

PART NUMBER **13360102**
EAN: 8024530006402

CABLES KIT CBL ETHERCON 0.7M

PART NUMBER **12399016**
EAN: 8024530013844

CABLES KIT CBL ETHERCON 1.5M

PART NUMBER **12399017**
EAN: 8024530013851

CABLES KIT CBL ETHERCON 3M


PART NUMBER **12399035**
EAN: 8024530013868

CABLES KIT CBL ETHERCON 5M

PART NUMBER **12399018**
EAN: 8024530013875

CABLES KIT CBL ETHERCON TO XLR F 0.2M

PART NUMBER **12399019**
EAN: 8024530013882

	CABLES KIT CBL ETHERCON TO XLR M 0.2M	PART NUMBER EAN:	12399020 8024530013899
	CABLES KIT CBL LK 25 MULTIPIN 10M	PART NUMBER EAN:	12399023 8024530013837
	CABLES KIT CBL LK 25 MULTIPIN 20M	PART NUMBER EAN:	12399022 8024530013820
	CABLES KIT CBL LKS 19 ARRAY FANOUT	PART NUMBER EAN:	12399024 8024530013905
	CABLES KIT CBL LKS 19 BREAKOUT	PART NUMBER EAN:	12399026 8024530013929
	CABLES KIT CBL LKS 19 POWER 10M	PART NUMBER EAN:	12399027 8024530013936
	CABLES KIT CBL LKS 19 SUB FANOUT	PART NUMBER EAN:	12399025 8024530013912
	CABLES KIT CBL POWER BOX 6X	PART NUMBER EAN:	13360145 8024530015534
	CABLES KIT CBL POWERCON LINK 0.7M	PART NUMBER EAN:	12399031 8024530013738
	CABLES KIT CBL POWERCON LINK 1.5M	PART NUMBER EAN:	12399030 8024530013721



CABLES KIT CBL POWERCON LINK 10M

PART NUMBER **12399028**
EAN: 8024530013707

CABLES KIT CBL POWERCON LINK 5M

PART NUMBER **12399029**
EAN: 8024530013714

CABLES KIT LK 25-2 FANOUT

PART NUMBER **12399021**
EAN: 8024530013813

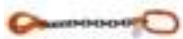
FLYBAR HDL6-A

PART NUMBER **13360360**
EAN: 8024530014209

FLYBAR HDL6-A W

PART NUMBER **13360373**
EAN: 8024530014377

FLYBAR PICKUP HDL6

PART NUMBER **13360372**
EAN: 8024530014353

HOIST SPACING CHAIN TTL55

PART NUMBER **13360129**
EAN:

KART WITH WHEELS KRT-WH 6X HDL 6

PART NUMBER **13360366**
EAN: 8024530014421

LINKBAR HDL12 TO HDL6

PART NUMBER **13360375**
EAN: 8024530014414

LKS 19-20 POWER CABLE

PART NUMBER **13360146**
EAN: 8024530013943



POLE MOUNT 3X HDL 6-A

PART NUMBER **13360377**
EAN: 8024530014629



RAIN PROTECTION RP 1X HDL 6

PART NUMBER **13360381**
EAN: 8024530015169



SPARE PINS FRONT 4X HDL20- HDL18

PART NUMBER **13360219**
EAN: 8024530015763
