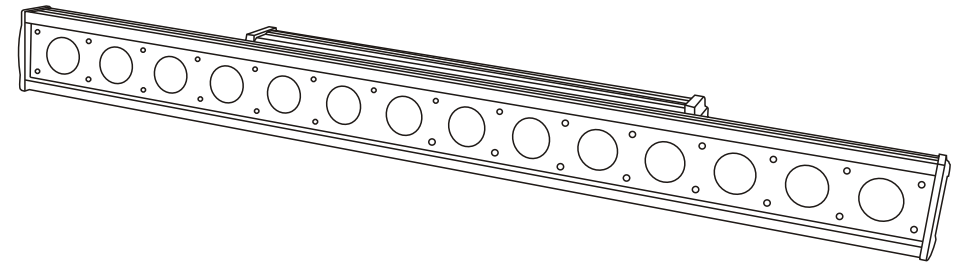


**JUNIOR**



PR LIGHTING LTD.  
<http://www.pr-lighting.com>  
1582 Xingye Avenue, Nancun Panyu  
Guangzhou, 511442 China  
TEL: +86-20-3995 2888

**JNR BAR 14\*30**  
**JNR-8019A**

# 1 SAFETY INSTRUCTIONS



## CAUTION

Be careful with your operations. With a dangerous voltage you can suffer a dangerous electric shock when touching wires!

This device has left the factory in perfect condition. In order to maintain this condition and to ensure a safe operation, it is absolutely necessary for the user to follow the safety instructions and warning notes written in this user manual.



## IMPORTANT

Damages caused by the disregard of this user manual are not subject to warranty. The dealer will not accept liability for any resulting defects or problems.

If the device has been exposed to temperature changes due to environmental changes, do not switch it on immediately. The arising condensation could damage the device. Leave the device switched off until it has reached room temperature.

This device falls under protection-class I. Therefore it is essential that the device be earthed.

The electric connection must carry out by qualified person.

The device shall only be used with rate voltage and frequency.

Make sure that the available voltage is not higher than stated at the end of this manual.

Make sure the power cord is never crimped or damaged by sharp edges. If this would be the case, replacement of the cable must be done by an authorized dealer.

Always disconnect from the mains, when the device is not in use or before cleaning it. Only handle the power cord by the plug. Never pull out the plug by tugging the power cord.

During initial start-up some smoke or smell may arise. This is a normal process and does not necessarily mean that the device is defective, it should decrease gradually.

Please don't project the beam onto combustible substances.

Fixtures cannot be installed on combustible substances, keep more than 50cm distance with wall for smooth air flow, so there should be no shelter for fans and ventilation for heat radiation.

If the external flexible cable or cord of this luminaire is damaged, it shall be exclusively replaced by the manufacturer or his service agent or a similar qualified person in order to avoid a hazard.

# 10 MAINTENANCE AND CLEANING

The following points have to be considered during the inspection:

- 1) All screws for installing the devices or parts of the device have to be tightly connected and must not be corroded.
- 2) There must not be any deformations on the housing, color lenses, fixations and installation spots (ceiling, suspension, trussing).
- 3) Mechanically moved parts must not show any traces of wearing and must not rotate with unbalances.
- 4) The electric power supply cables must not show any damage, material fatigue or sediments.

Further instructions depending on the installation spot and usage have to be adhered by a skilled installer and any safety problems have to be removed.



## CAUTION

Disconnect from mains before starting maintenance operation.



In order to make the lights in good condition and extend the life time, we suggest a regular cleaning to the lights.

- 1) Clean the inside and outside lens each week to avoid the weakness of the lights due to accumulation of dust.
- 2) Clean the fan each week.
- 3) A detailed electric check by approved electrical engineer each three month, make sure that the circuit contacts are in good condition, prevent the poor contact of circuit from overheating.

We recommend a frequent cleaning of the device. Please use a moist, lint- free cloth. Never use alcohol or solvents.

There are no serviceable parts inside the device. Please refer to the instructions under "Installation instructions".

Should you need any spare parts, please order genuine parts from your local dealer.

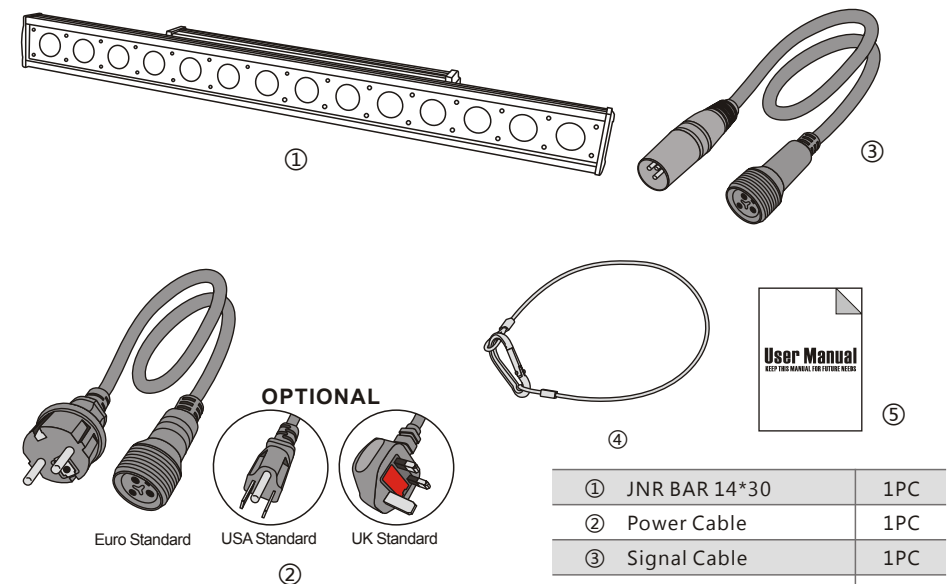
		66-75	
		76-85	
		86-95	
		96-105	
		106-115	
		116-125	
		126-135	
		136-145	Internal effect
		146-155	Internal effect
		156-165	Internal effect
		166-175	Internal effect
		176-185	Internal effect
		186-195	Internal effect
		196-205	Internal effect
		206-215	Internal effect
		216-225	Internal effect
		226-235	Internal effect
		236-245	Internal effect
		246-255	Sound active
4	Function	0-255	Function speed from slow to fast
5	Effect	0-255	Effect of custom effects,select background color
6	Red	0-255	R1 red dimmer from dark to bright
7	Green	0-255	G1green dimmer from dark to bright
8	Blue	0-255	B1 blue dimmer from dark to bright
9	White	0-255	W1white dimmer from dark to bright
10	Red	0-255	R2red dimmer from dark to bright
11	Green	0-255	G2 green dimmer from dark to bright
12	Blue	0-255	B2 blue dimmer from dark to bright
13	White	0-255	W2 white dimmer from dark to bright
..	...	...	.....
..	...	...	.....
58	Red	0-255	R14 red dimmer from dark to bright
59	Green	0-255	G14 green dimmer from dark to bright
60	Blue	0-255	B14 blue dimmer from dark to bright
61	White	0-255	W14 white dimmer from dark to bright

## 2 UNPACKING

Thank you for choosing our JNR BAR 14\*30. For your own safety, please read this manual before installing the device. This manual covers the important information on installation and applications. Please install and operate the fixture with following instructions. Meanwhile, please keep this manual well for future needs.

The JNR BAR 14\*30 is made of a new type of high temperature strength of aluminum casing with nice outlook. The fixture is designed and manufactured strictly following CE standards, complying with international standard DMX512 protocol. It's available independently controlled and linkable with each other for operation. And it is applicable for large-scale live performances, theater, studio, nightclubs and discos.

The JNR BAR 14\*30 adopts 14PCS 30W 4-IN-1 LEDs (RGBW) which features high brightness and stability. Please carefully unpack it when you receive the fixture and check whether it is damaged during the transportation. And please check whether the following items are included inside the box:



①	JNR BAR 14*30	1PC
②	Power Cable	1PC
③	Signal Cable	1PC
④	Safety Cable	1PC
⑤	User Manual	1PC

# 3 FEATURES & SPECIFICATIONS

## Features

- 14\*30W tri color LEDs (RGBW in one)
- 16.7 Millions of colors mixable
- 50,000 hours life span and lower power consumption
- Stunning light output with high intensity and high color rendering index
- High efficiency 40mm PMMA optics, 15°/25°/55° beam angles as optional
- 0-100% Smooth linear electronic dimmer
- Flicker free control capability
- 25T/s high speed LED shutter/strobe effect with variable speed
- Dynamic macro effect with variable speed
- 12 Internal color running programs, available for strobe effect together
- 13 DIY internal color running programs with background.foreground colors changeable, available for strobe effect together
- 4/5/6/10/33/42/56/61 DMX channel modes
- DMX512, master-slave and sound activated controllable or auto operation
- Rugged, die cast aluminum alloy, compact and light weight
- Noise free natural cooling system
- Front window with tempered glass
- 2 Multi-positioning brackets for floor projection or hanging projections
- Manual TILT angle adjustment
- 4-Button red LED display
- IP65 rated lockable power connectors IN/OUT
- IP65 rated lockable 3-pin XLR DMX connectors IN/OUT
- -40°C to 45°C operation temperature
- IP65 protection rating

## Specifications

**Input Voltage:** AC90-260V 50/60Hz

**LED Quantities:** 14PCS 30W 4-IN-1 LEDs (RGBW)

**Control Signal:** DMX512, master-slave and sound activated or auto operation

**Control Channel:** 4/5/6/10/33/42/56/61 DMX Channels

**Power Consumption:** 200W

**Dimensions:** 1000(W)\*76(D)\*163(H)mm

**Packing Dimensions:** 1140(W)\*170(D)\*240(H)mm

**Net Weight:** 6.96kg

**Gross Weight:** 8.16kg

## 42CH Mode

Channel	Function	Value	Description
1	Red	0-255	R1 red dimmer from dark to bright
2	Green	0-255	G1 green dimmer from dark to bright
3	Blue	0-255	B1 blue dimmer from dark to bright
4	Red	0-255	R2 red dimmer from dark to bright
5	Green	0-255	G2 green dimmer from dark to bright
6	Blue	0-255	B2 blue dimmer from dark to bright
..	...	0-255	.....
..	...	0-255	.....
40	Red	0-255	R14 red dimmer from dark to bright
41	Green	0-255	G14 green dimmer from dark to bright
42	Blue	0-255	B14 blue dimmer from dark to bright

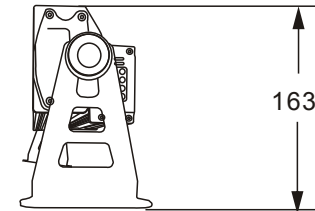
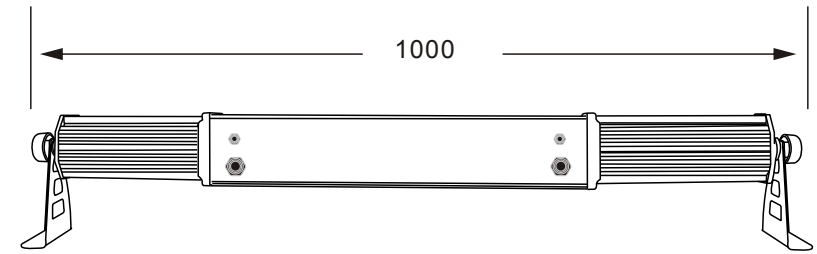
## 56CH Mode

Channel	Function	Value	Description
1	Red	0-255	R1 red dimmer from dark to bright
2	Green	0-255	G1 green dimmer from dark to bright
3	Blue	0-255	B1 blue dimmer from dark to bright
4	White	0-255	W1 white dimmer from dark to bright
5	Red	0-255	R2 red dimmer from dark to bright
6	Green	0-255	G2 green dimmer from dark to bright
7	Blue	0-255	B2 blue dimmer from dark to bright
8	White	0-255	W2 white dimmer from dark to bright
..	...	0-255	.....
..	...	0-255	.....
53	Red	0-255	R14 red dimmer from dark to bright
54	Green	0-255	G14 green dimmer from dark to bright
55	Blue	0-255	B14 blue dimmer from dark to bright
56	White	0-255	W14 white dimmer from dark to bright

## 61CH Mode

Channel	Function	Value	Description
1	Total	0-255	RGBW total dimming, from dark to light
2	Strobe	7-255	RGBW strobe, speed from slow to fast
3	Effect	0-5	Null
		6-15	Customize effect 1#--13#
		16-25	CH1:Dimming
		26-35	CH2:Superimposed strobe effect
		36-45	CH4:Running speed selection effect
		46-55	CH5:Select background colors
		56-65	CH7-CH9:Select effect colors

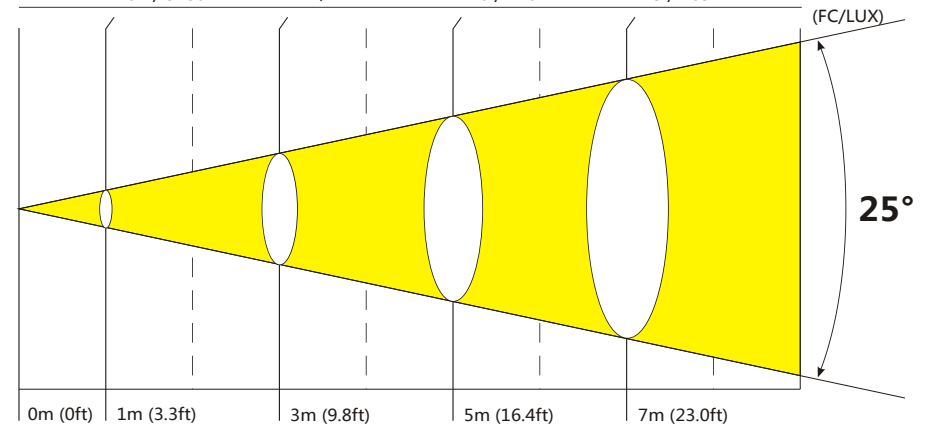
		136-145	Internal effect
		146-155	Internal effect
		156-165	Internal effect
		166-175	Internal effect
		176-185	Internal effect
		186-195	Internal effect
		196-205	Internal effect
		206-215	Internal effect
		216-225	Internal effect
		226-235	Internal effect
		236-245	Internal effect
		246-255	Sound active
4	Function	0-255	Function speed from slow to fast
5	Effect	0-255	Effect of custom effects,select background color
6	Red	0-255	R1-2 red dimmer from dark to bright
7	Green	0-255	G1-2 green dimmer from dark to bright
8	Blue	0-255	B1-2 blue dimmer from dark to bright
9	White	0-255	W1-2 white dimmer from dark to bright
10	Red	0-255	R3-4 red dimmer from dark to bright
11	Green	0-255	G3-4 green dimmer from dark to bright
12	Blue	0-255	B3-4 blue dimmer from dark to bright
13	White	0-255	W3-4 white dimmer from dark to bright
..	...	...	.....
..	...	...	.....
30	Red	0-255	R13-14 red dimmer from dark to bright
31	Green	0-255	G13-14 green dimmer from dark to bright
32	Blue	0-255	B13-14 blue dimmer from dark to bright
33	White	0-255	W13-14 white dimmer from dark to bright



## 4 PHOTOMETRIC DATA

■ Photometric Beam Angle Data  $25^\circ$  Beam Angle  $LUX \times 0.0929 = FC$

<b>R</b>	82 / 880	31 / 330	10 / 110	5 / 55
<b>G</b>	153 / 1650	51 / 550	20 / 220	10 / 110
<b>B</b>	132 / 1430	46 / 495	18 / 198	5 / 55
<b>W</b>	148 / 1595	51 / 550	20 / 220	10 / 110
<b>RGBW</b>	492 / 5280	92 / 990	40 / 440	15 / 165



## 5 OPERATION INSTRUCTIONS

- The JNR BAR 14\*30 is for wash effect for on-site decoration purpose.
- Don't turn on the fixture if it's been through severe temperature difference like after transportation because it might damage the light due to the environment changes. So make sure to operate the fixture until it is in normal temperature.
- This light should be keep away from strong shaking during any transportation or movement.
- Don't pull up the light by only the head, or it might cause damages to the mechanical parts.
- Don't expose the fixture in overheat, moisture or environment with too much dust when installing it. And don't lay any power cables on the floor. Or it might cause electronic shock to the people.
- Make sure the installation place is in good safety condition before installing the fixture.
- Make sure to put the safety chain and check whether the screws are screwed properly when installing the fixture.
- Make sure the lens are in good condition. It's recommended to replace the units if there are any damages or severe scratch.
- Make sure the fixture is operated by qualified personnel who knows the fixture before using.
- Keep the original packages if any second shipment is needed.
- Don't try to change the fixtures without any instruction by the manufacturer or the appointed repairing agencies.
- It is not in warranty range if there are any malfunctions from not following the user manual to operate or any illegal operation, like shock short circuit, electronic shock, lamp broke, etc.

		96-105	
		106-115	
		116-125	
		126-135	
		136-145	Internal effect
		146-155	Internal effect
		156-165	Internal effect
		166-175	Internal effect
		176-185	Internal effect
		186-195	Internal effect
		196-205	Internal effect
		206-215	Internal effect
		216-225	Internal effect
		226-235	Internal effect
		236-245	Internal effect
		246-255	Sound active
4	Function	0-255	Function speed from slow to fast
5	Effect	0-255	Effect of custom effects,select background color
6	Dimmer	0-255	Dimmer speed seting,from slow to fast
7	Red	0-255	Red dimming,from dark to light
8	Green	0-255	Green dimming,from dark to light
9	Blue	0-255	Blue dimming,from dark to light
10	White	0-255	White dimming,from dark to light

### 33CH Mode

Channel	Function	Value	Description
1	Total	0-255	RGBW total dimming,from dark to light
2	Strobe	7-255	RGBW strobe,speed from slow to fast
3	Effect	0-5	Null
		6-15	Customize effect 1#--13#
		16-25	CH1:Dimming
		26-35	CH2:Superimposed strobe effect
		36-45	CH4:Running speed selection effect
		46-55	CH5:Select background colors
		56-65	CH7-CH9:Select effect colors
		66-75	
		76-85	
		86-95	
		96-105	
		106-115	
		116-125	
126-135			

## 9 DMX CHANNELS

### 4CH Mode

Channel	Function	Value	Description
1	Red	0-255	Red dimming,from dark to light
2	Green	0-255	Green dimming,from dark to light
3	Blue	0-255	Blue dimming,from dark to light
4	White	0-255	White dimming,from dark to light

### 5CH Mode

Channel	Function	Value	Description
1	Dimmer	0-255	Dimmer dimming,from dark to light
2	Red	0-255	Red dimming,from dark to light
3	Green	0-255	Green dimming,from dark to light
4	Blue	0-255	Blue dimming,from dark to light
5	White	0-255	White dimming,from dark to light

### 6CH Mode

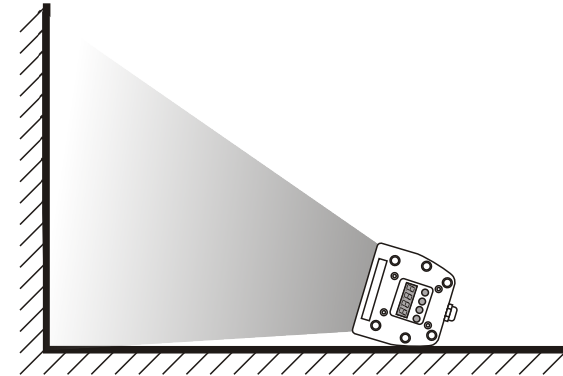
Channel	Function	Value	Description
1	Dimmer	0-255	Dimmer dimming,from dark to light
2	Strobe	0-255	Strobe from slow to fast
3	Red	0-255	Red dimming,from dark to light
4	Green	0-255	Green dimming,from dark to light
5	Blue	0-255	Blue dimming,from dark to light
6	White	0-255	White dimming,from dark to light

### 10CH Mode

Channel	Function	Value	Description
1	Total	0-255	RGBW total dimming,from dark to light
2	Strobe	7-255	RGBW strobe,speed from slow to fast
3	Effect	0-5	Null
		6-15	Customize effect 1#--13#
		16-25	CH1:Dimming
		26-35	CH2:Superimposed strobe effect
		36-45	CH4:Running speed selection effect
		46-55	CH5:Select background colors
		56-65	CH7-CH10:Select effect colors
		66-75	
		76-85	
		86-95	

## 6 INSTALLATIONS

**Wall or architecture projections:** You could just install the JNR BAR 14\*30 near below the wall, projecting angles adjustable with any angles suitable for on-site requirements.

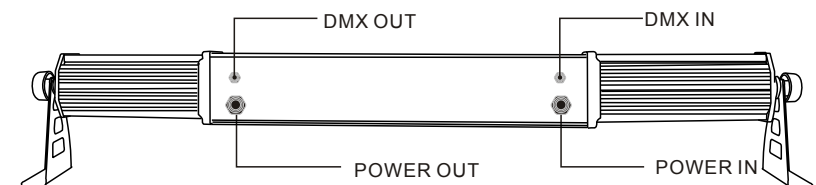


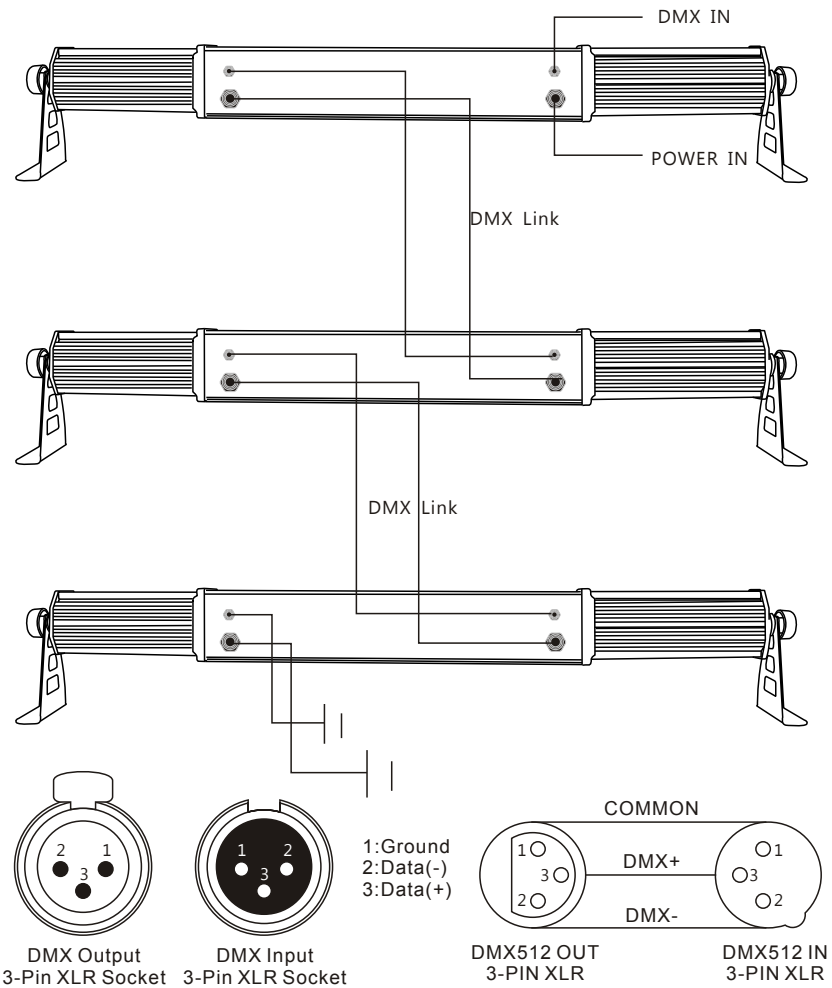
## 7 DMX-512 CONTROL CONNECTIONS

Connect the provided XLR cable to the female 3-pin XLR output of your controller and the other side to the male 3-pin XLR input of the architectural. You can chain multiple

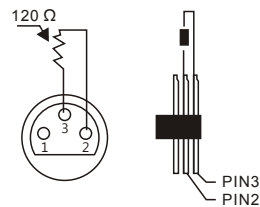
Architectural together through serial linking. The cable needed should be two core, screened cable with XLR input and output connectors. Please refer to the diagram below.

DMX-512 connection with DMX terminator.





For installations where the DMX cable has to run a long distance or is in an electrically noisy environment, such as in a discotheque, it is recommended to use a DMX terminator. This helps in preventing corruption of the digital control signal by electrical noise. The DMX terminator is simply an XLR plug with a 120 Ω resistor connected between pins 2 and 3, which is then plugged into the output XLR socket of the last fixture in the chain. Please see illustrations below.



## 8 MENU OPERATIONS

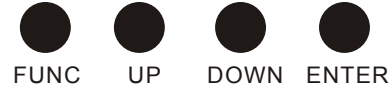


**FUNC** : Table1 function loops add ;

**UP** : Function value add ;

**DOWN** : Function value decrease ;

**ENTER** : Save the setting ;



No.	Show	Value	Function
1	A001	001-512	DMX512 address set
2	10cH	4/5/6/10/33 42/56/61	DMX channel mode
3	d-oF	Ho/oF	DMX Signal loss treatment setting: Ho:Keep the last state of the signal oF:Close all the LED
4	CL 1	1-9	Color select
5	EF 1	1-15	Internet effect select
6	SP 1	1-9	Internet effect speed select
7	SoUd	/	Sound control effect
8	r255	000-255	Red channel current setting, from small to bigger,from dark to bright
9	G255	000-255	Green channel current setting, from small to bigger,from dark to bright
10	b255	000-255	Blue channel current setting, from small to bigger,from dark to bright
11	u255	000-255	White channel current setting, from small to bigger,from dark to bright
12	FF00	00-99	Strobe speed from slow to fast

