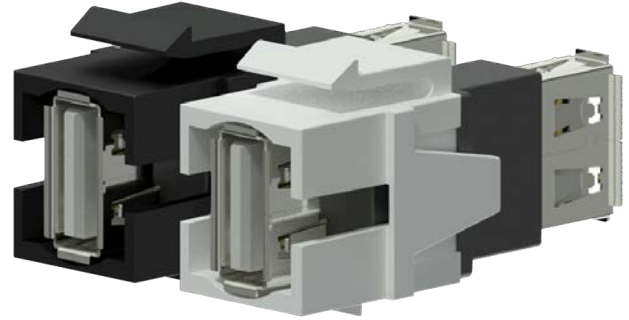


The VCK622 is a Keystone data adapter with a female USB 2.0 connectors on each side of the module. This compact standardized snap-in module can easily be implemented in 45x45mm connection plates, CAYMON CASY modules or D-size holes.



Certification:



Properties:



Variants:

- VCK622/B - Black
- VCK622/W - White