

HDL 6-A

ACTIVE LINE ARRAY MODULE

DESCRIPTION

The HDL6-A is the ideal choice when line array performance is needed and a fast and easy set-up a must. A 1400 W 2-channel class-D amplifier powers the system. A powerful DSP processes the sound including crossover, phase correction, limiting and protection. The system features state-of-the-art RCF transducers – two powerful 6.0” woofers for a solid bass reproduction plus a high powered 1.7” voice coil compression driver mounted on a precise 100° x 10° waveguide delivers vocal clarity with high definition and an incredible dynamic. The HDL 12-AS is the ideal flyable bass complement for the HDL 6-A array system.



FEATURES

- 1400 W, two-way amplification
- 131 dB max SPL
- 1.7” voice coil neodymium compression driver
- 2 x high power neodymium 6.0”woofers
- 48 kHz, 32 bit floating point DSP processing
- Symmetrical design
- Extremely low weight
- FiRPHASE processing

TECHNICAL SPECIFICATIONS

Acoustical specifications	Frequency Response:	65 Hz ÷ 20000 Hz
	Max SPL @ 1m:	131 dB
	Horizontal coverage angle:	100°
	Vertical coverage angle:	10°
Transducers	Compression Driver:	1 x 1.0" neo, 1.75" v.c
	Woofers:	2 x 6.0" neo, 2.0" v.c
Input/Output section	Input signal:	bal/unbal
	Input connectors:	XLR
	Output connectors:	XLR
	Input sensitivity:	+4 dBu
Processor section	Crossover Frequencies:	900 Hz
	Protections:	Thermal, RMS
	Limiter:	Soft Limiter
	Controls:	HF correction
Power section	Total Power:	1400 W Peak, 700 W RMS
	High frequencies:	400 W Peak, 200 W RMS
	Low frequencies:	1000 W Peak, 500 W RMS
	Cooling:	Convection
	Connections:	Powercon IN/OUT
Standard compliance	CE marking:	Yes
Physical specifications	Cabinet/Case Material:	PP Composite
	Hardware:	Array fittings
	Handles:	2 Back
	Grille:	Steel
	Color:	Black
Size	Height:	237 mm / 9.33 inches
	Width:	470 mm / 18.5 inches
	Depth:	377 mm / 14.84 inches
	Weight:	11.6 kg / 25.57 lbs
Shipping informations	Package Height:	260 mm / 10.24 inches
	Package Width:	550 mm / 21.65 inches
	Package Depth:	425 mm / 16.73 inches
	Package Weight:	13 kg / 28.66 lbs



PART NUMBER

- **13000515**

HDL 6-A W
115V, White
EAN 8024530014780

- **13000496**

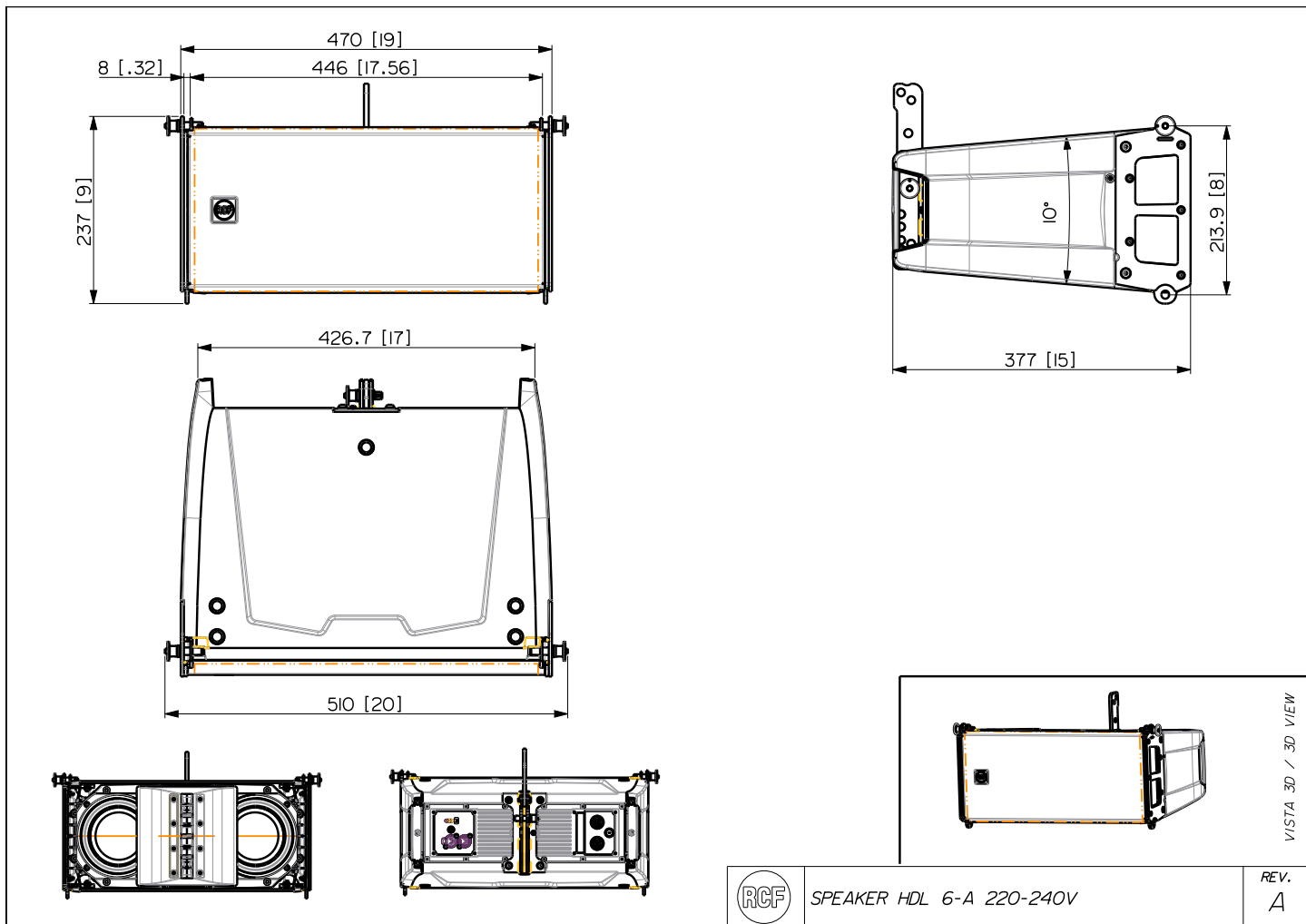
HDL 6-A
220-240V, Black
EAN 8024530014476

- **13000514**

HDL 6-A W
220-240V, White
EAN 8024530014773

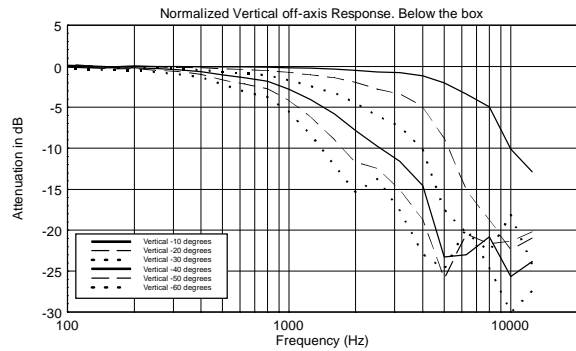
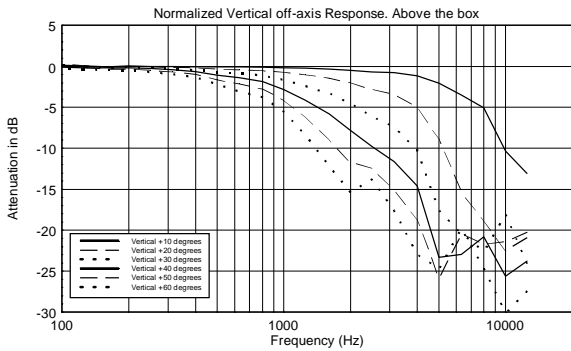
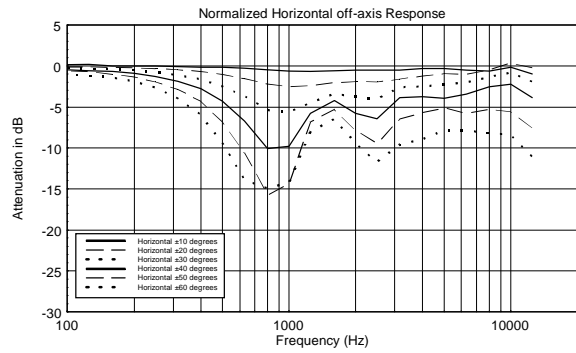
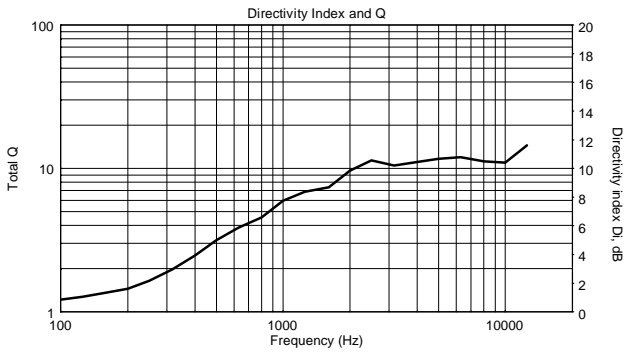
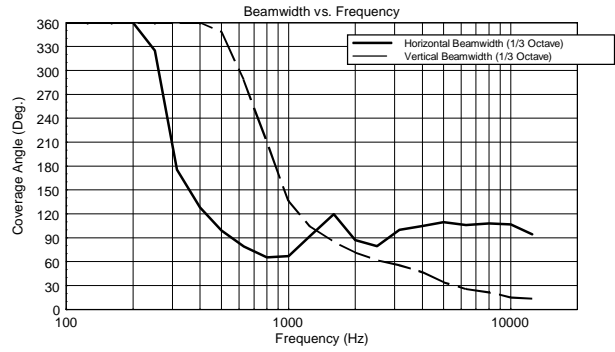
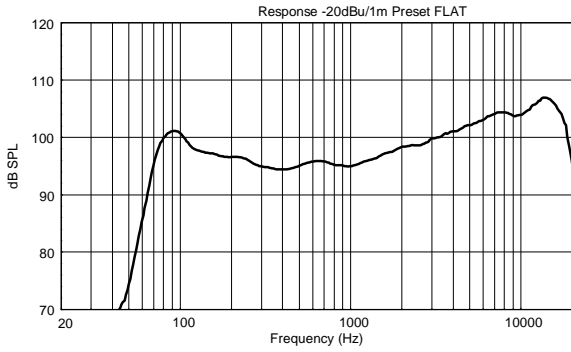
- **13000509**

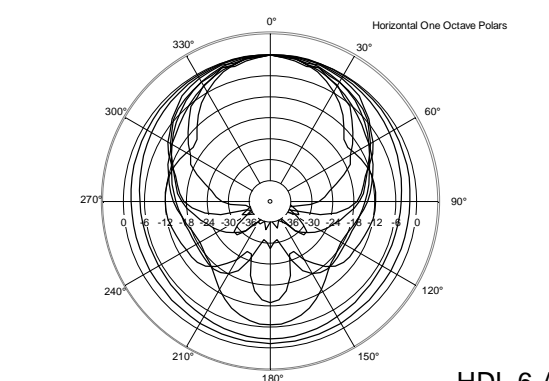
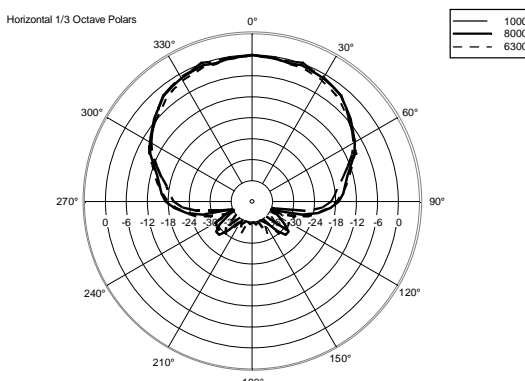
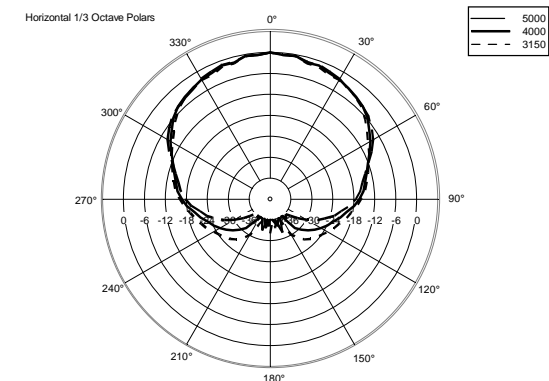
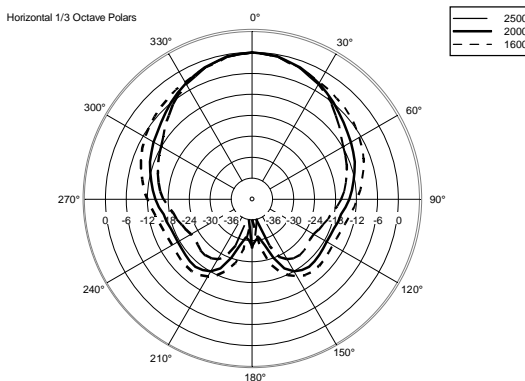
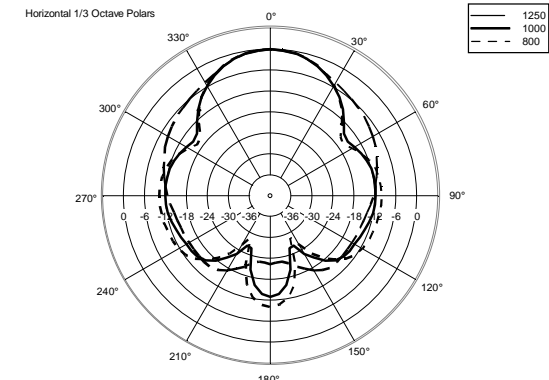
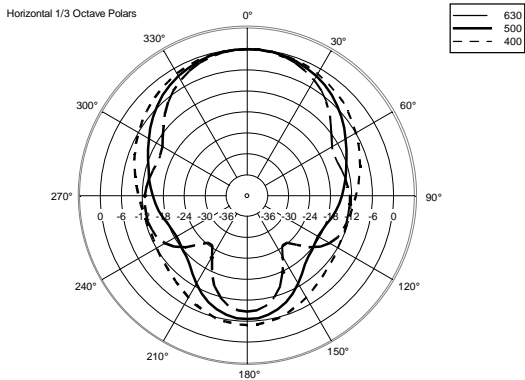
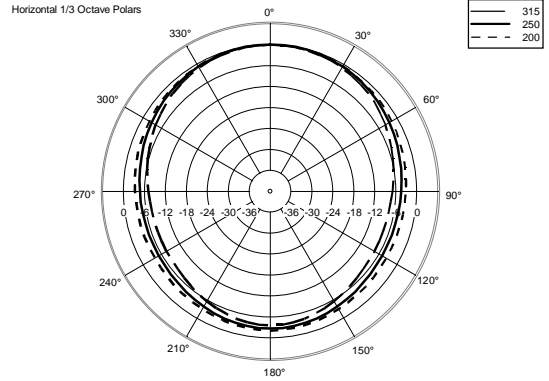
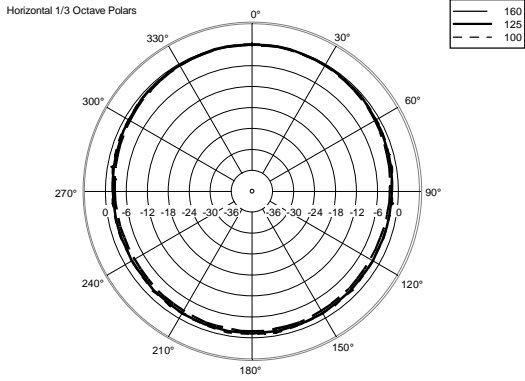
HDL 6-A
115V, Black
EAN 8024530014483

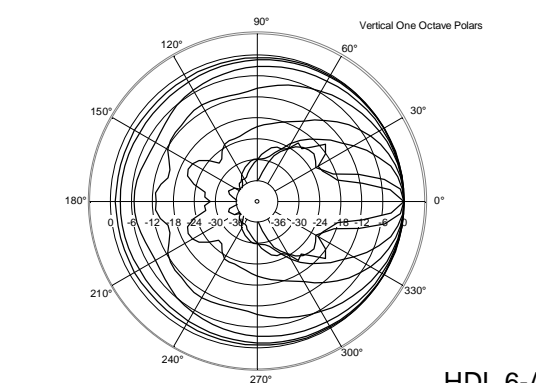
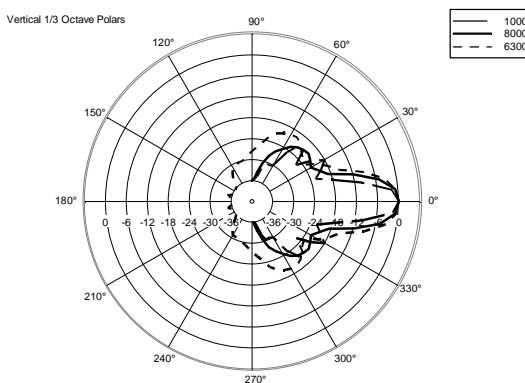
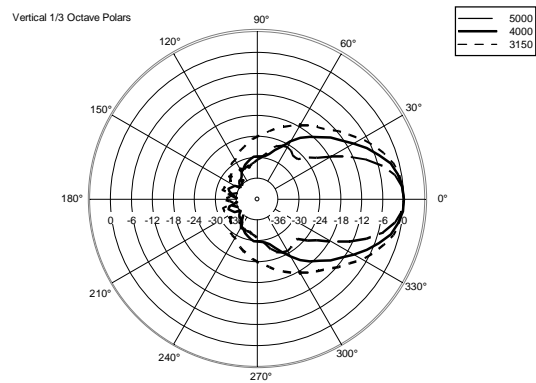
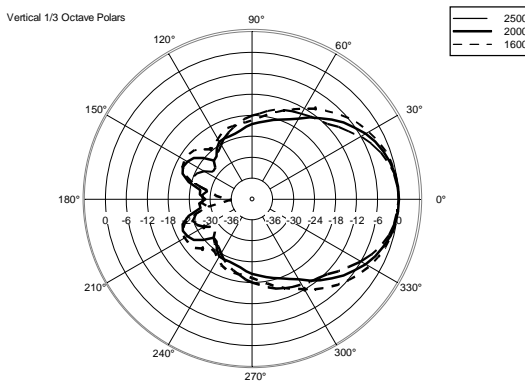
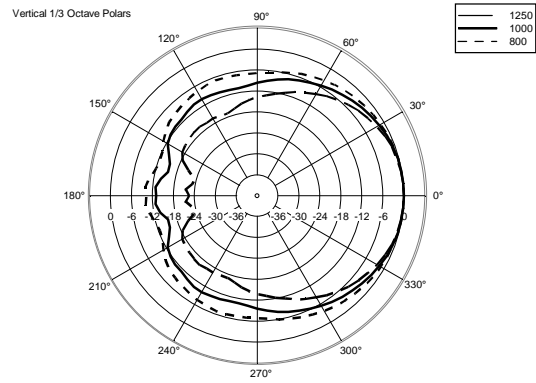
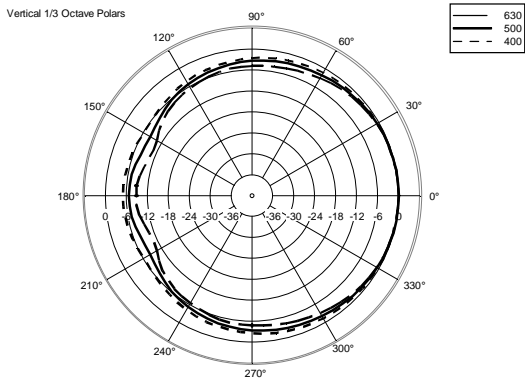
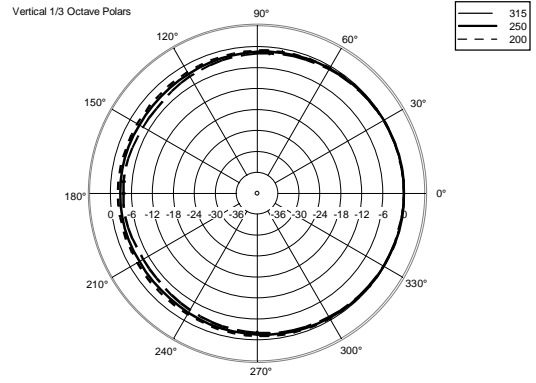
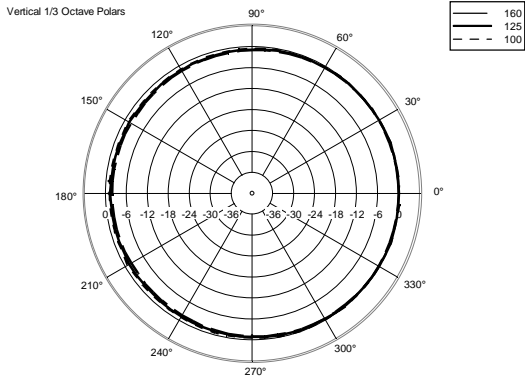


SPEAKER HDL 6-A 220-240V

REV. A







ACCESSORIES

AC 2X AZIMUT PLATE

PART NUMBER **13360351**
EAN: 8024530013516

AC POWER CABLE 6X TTL55

PART NUMBER **13360138**
EAN:

AC TRUSS CLAMP HDL6

PART NUMBER **13360371**
EAN: 8024530014360

AC XLR-3M3F XLR CONN. 3MALE3FEMALEXCABLE

PART NUMBER **13360102**
EAN: 8024530006402

CABLES KIT CBL LK 25 MULTIPIN 10M

PART NUMBER **12399023**
EAN: 8024530013837

CABLES KIT CBL LK 25 MULTIPIN 20M

PART NUMBER **12399022**
EAN: 8024530013820

CABLES KIT CBL LKS 19 ARRAY FANOUT

PART NUMBER **12399024**
EAN: 8024530013905

CABLES KIT CBL LKS 19 BREAKOUT

PART NUMBER **12399026**
EAN: 8024530013929

CABLES KIT CBL LKS 19 POWER 10M

PART NUMBER **12399027**
EAN: 8024530013936



CABLES KIT CBL LKS 19 SUB FANOUT

PART NUMBER **12399025**
EAN: 8024530013912



CABLES KIT CBL POWER BOX 6X

PART NUMBER **13360145**
EAN: 8024530015534



CABLES KIT CBL POWERCON LINK 0.7M

PART NUMBER **12399031**
EAN: 8024530013738



CABLES KIT CBL POWERCON LINK 1.5M

PART NUMBER **12399030**
EAN: 8024530013721



CABLES KIT CBL POWERCON LINK 10M

PART NUMBER **12399028**
EAN: 8024530013707



CABLES KIT CBL POWERCON LINK 5M

PART NUMBER **12399029**
EAN: 8024530013714



CABLES KIT LK 25-2 FANOUT

PART NUMBER **12399021**
EAN: 8024530013813



FLYBAR HDL6-A

PART NUMBER **13360360**
EAN: 8024530014209



FLYBAR PICKUP HDL6

PART NUMBER **13360372**
EAN: 8024530014353



HOIST SPACING CHAIN TTL55

PART NUMBER **13360129**
EAN:



KART WITH WHEELS KRT-WH 6X HDL 6

PART NUMBER **13360366**
EAN: 8024530014421



LINKBAR HDL12 TO HDL6

PART NUMBER **13360375**
EAN: 8024530014414



LKS 19-20 POWER CABLE

PART NUMBER **13360146**
EAN: 8024530013943



POLE MOUNT 3X HDL 6-A

PART NUMBER **13360377**
EAN: 8024530014629



RAIN PROTECTION RP 1X HDL 6

PART NUMBER **13360381**
EAN: 8024530015169



SPARE PINS FRONT 4X HDL20- HDL18

PART NUMBER **13360219**
EAN: 8024530015763