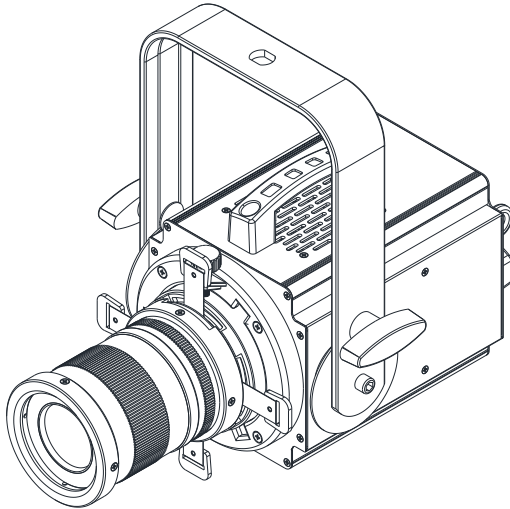


STECHNICS

LED Profile PROF100RGBW 20-40°



User Manual

W--COB 100W LED CCT3200K/5600K, (CRI): > 95

WA--COB 100W LED 2in1 CCT3200K+5600K, (CRI): > 95

RGBW--COB 100W LED 4in1, RGBW

RGBALC--COB 100W LED 6in1, RGBALC, (CRI): > 96



USER MANUAL

LED Profile



DANGER! Electric shock caused by short-circuit

Be careful with your operations. With a dangerous voltage you can suffer a dangerous electric shock when touching the wires. Never open the housing. Keep the device away from rain and moisture.



Please read these instructions carefully before using the product. They contain important information for the correct use of the product.

Every person involved with the installation, operation and maintenance of this device has to

- be qualified
- follow the instructions of this manual
- consider this manual to be part of the total product
- keep this manual for the entire service life of the product
- pass this manual on to every further owner or user of the product
- download the latest version of the user manual from the Internet

INTRODUCTION

Thank you for having chosen one of our products. If you follow the instructions given in this manual, we are sure that you will enjoy this device for a long period of time.

Product features

- Chip-on-board technology makes for homogeneous light beam
- Ideal for theaters and stages
- Stand-alone or DMX mode
- Master/slave function for synchronous operation of multiple devices
- Dimmer and strobe effect
- Dimmer speed (step response) adjustable
- Control panel with LCD for easy configuration
- Swivel mounting bracket
- Mains input and output for power linking up to 8 units

SAFETY INSTRUCTIONS

**WARNING!**

Please read the safety warnings carefully and only use the product as described in this manual to avoid accidental injury or damage.

Intended use

- This device is an LED Profile for professional lighting effects in the field of event technology, e.g. on stage. It is not suitable for household lighting.
- Only use the device according to the instructions given herein. Damages due to failure to follow these operating instructions will void the warranty! We do not assume any liability for any resulting damage.
- We do not assume any liability for material and personal damage caused by improper use or noncompliance with the safety instructions. In such cases, the warranty will be null and void.
- Unauthorized rebuilds or modifications of the device are not permitted for reasons of safety and render the warranty invalid.

Danger due to electricity

- The device is suitable for indoor use only. Do not use it outdoors. Never expose it to rain or moisture. Do not store it in rooms exposed to moisture.
- To reduce the risk of electric shock, do not open any part of the device. There are no serviceable parts inside the device.
- Only connect the device to a properly installed mains outlet. The outlet must be protected by residual current breaker (RCD). The voltage and frequency must be exactly the same as stated on the device. If the mains cable is equipped with an earthing contact, then it must be connected to an outlet with a protective ground. Never deactivate the protective ground of a mains cable. Failure to do so could possibly injure the user.
- The mains outlet must be easily accessible so that you can unplug the device quickly if need be.
- Never touch the mains plug with wet or damp hands. There is the risk of potentially fatal electric shock.
- The mains cable must not be bent or squeezed. Keep it away from hot surfaces or sharp edges.
- Never pull the mains cable to disconnect the mains plug from the mains outlet, always seize the plug.
- Unplug the device during lightning storms, when unused for long periods of time or before cleaning.
- Do not expose the device to any high temperatures, direct sunlight, dripping or splashing water, strong vibrations or heavy mechanical stress.
- Do not place any objects filled with liquids on the device.
- Do not place any open sources of fire, such as burning candles, on or directly next to the device.
- Make sure that objects cannot fall into the device, in particular metal parts.
- Only have repairs to the device or its mains cable carried out by qualified service personnel. Repairs are required when the device or the mains cable is visibly damaged, liquid has been spilled or objects have fallen into the device; when the device has been exposed to rain or moisture, has been dropped

or malfunctions occur.

- Cleaning of the device is limited to the surface. Make sure that moisture does not come into contact with any areas of the terminal connections or mains voltage control parts. Only wipe off the product with a soft lint-free and moistened cloth. Never use solvents or aggressive detergents.

Danger to children and people with restricted abilities

- This product is not a toy. Keep it out of the reach of children and pets. Do not leave packaging material lying around carelessly. Never leave this device running unattended.
- This device may be used only by persons with sufficient physical, sensorial, and intellectual abilities and having corresponding knowledge and experience. Other persons may use this device only if they are supervised or instructed by a person who is responsible for their safety.

Warning – risk of burns and fire

- The admissible ambient temperature range (T_a) is -5 to $+40^\circ\text{C}$. Do not operate the device outside of this temperature range.
- The housing temperature (T_c) can be up to 65°C during use. Avoid contact by persons and materials.
- Do not illuminate surfaces within 30 cm of the device. This value is indicated on the device by the symbol.
- Do not use the device near highly flammable materials. Always place the device at a location where sufficient air circulation is ensured. Leave 50 cm of free space around the device. Never cover the air vents of the housing.

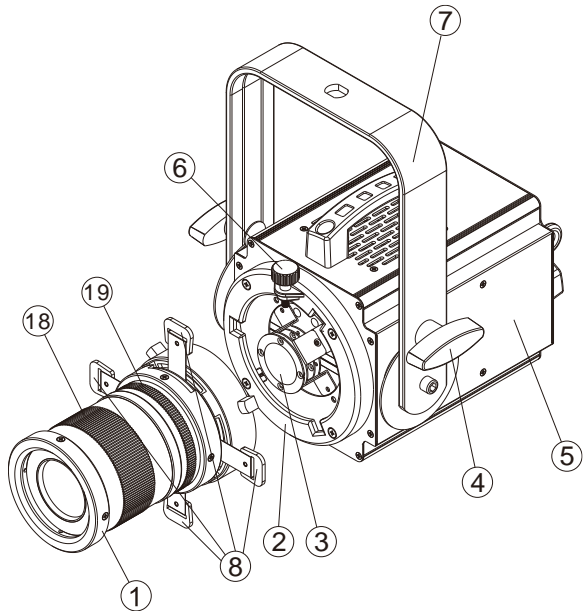
Warning – risk of injuries

- Do not look directly at the light source. Persons with light-sensitive epilepsy may suffer from epileptic seizures or fall unconscious.
- Make sure that the product is set up or installed safely and expertly and prevented from falling down. Comply with the standards and rules that apply in your country, in particular EN 60598-2-17.
- If you lack the qualification, do not attempt the installation yourself, but instead use a professional installer. Improper installation can result in bodily injury and or damage to property.
- The manufacturer cannot be made liable for damages caused by incorrect installations or insufficient safety precautions.
- For overhead use, always secure the device with a secondary safety attachment such as a safety bond or safety net.
- Make sure that the area below the installation place is blocked when rigging, derigging or servicing the device.
- For commercial use the country-specific accident prevention regulations of the government safety organization for electrical facilities must be complied with at all times.

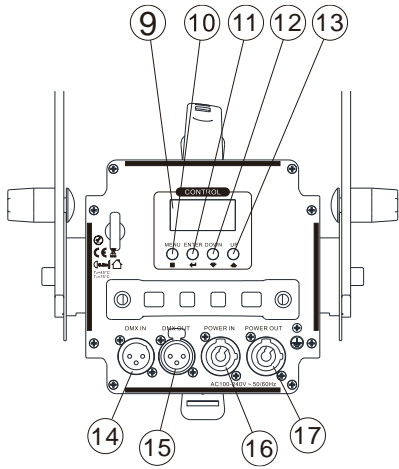
Caution – material damage

- This device must not be connected to the mains voltage by means of a dimmer.
- Lighting effects are not designed for permanent operation. Consistent operation breaks will ensure that the device will serve you for a long time without defects.
- Never switch the device on and off in short intervals. This will considerably reduce the service life of the device.
- If the device has been exposed to drastic temperature fluctuation, do not switch it on immediately. The resulting condensation may destroy the device. Allow the device to reach room temperature before connecting it. Wait until the condensation has evaporated.
- Please use the original packaging to protect the device against vibration, dust and moisture during transportation or storage.
- If a serial number label is affixed to the device, do not remove the label as this would make the warranty void.

DESCRIPTION OF THE DEVICE



- (1) Profile Lens Housing 20°-40°
- (2) "Bowens" Bayonet cap
- (3) Lens / LED
- (4) Fixation screw
- (5) Housing
- (6) Knurled screw
- (7) Mounting bracket
- (8) Shutter blades



- (9) LCD
- (10) Menu buttons
- (11) Enter buttons
- (12) Down buttons
- (13) Up buttons
- (14) DMX In
- (15) DMX Out
- (16) Power In
- (17) Power Out
- (18) Manual zoom
- (19) Manual focus

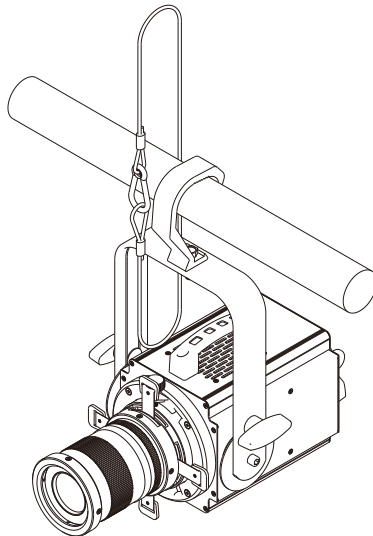
INSTALLATION

**WARNING! Risk of injury caused by falling objects**

Devices in overhead installations may cause severe injuries when crashing down. Make sure that the device is installed securely and cannot fall down. The installation must be carried out by a specialist who is familiar with the hazards and the relevant regulations.

This product is designed for overhead rigging to a wall or ceiling via the mounting bracket. If necessary, it can also be fastened to a truss using an appropriate coupler. The device must never be fixed swinging freely in the room.

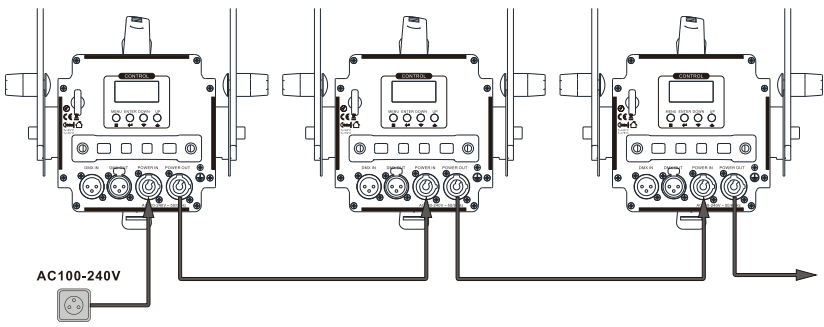
- 1 The rigging structure must support at least 10 times the weight of all fixtures to be installed on it.
- 2 Block access below the work area and work from a stable platform when installing the device.
- 3 Use rigging hardware that is compatible with the structure and capable of bearing the weight of the device. Please refer to the "Accessories" section for a list of suitable rigging hardware.
- 4 Secure the device with a safety bond or other secondary attachment. This secondary safety attachment must be sufficiently dimensioned in accordance with the latest industrial safety regulations and constructed in a way that no part of the installation can fall down if the main attachment fails. An appropriate eyelet is mounted on the device for fixation of the safety bond. Fasten the safety bond in such a way that, in the event of a fall, the maximum drop distance of the device will not exceed 20 cm.
- 5 To align the device, release the fixation screws at the mounting bracket, adjust the desired inclination angle and tighten the fixation screws.
- 6 After installation, the device requires inspections periodically to prevent the possibility of corrosion, deformation and looseness.



For use on a lighting stand, place the device on a lighting stand via the TV spigot and fasten the fixation screw. Suitable stands can be found in the "Accessories" section.

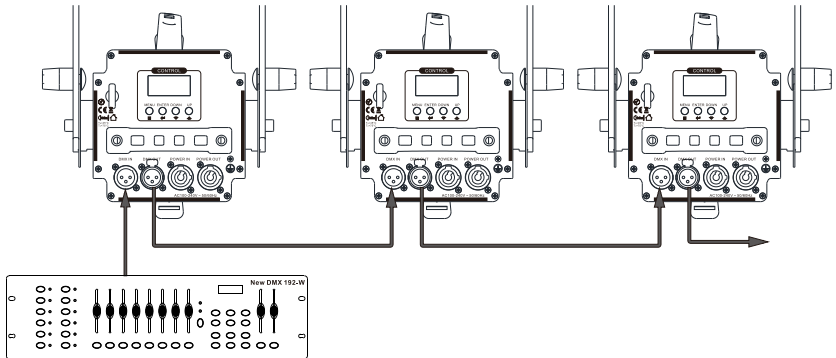
CONNECTIONS

Power Supply



- The device uses an auto-range power supply that accepts input voltages between 100 und 240 volts.
- 1 Connect the device via the mains cable to a grounded mains socket. Thus the unit is switched on.
 - 2 To switch off the unit, disconnect the power plug.
 - 3 Do not connect the unit to the mains voltage via a dimmer. For a more convenient operation, use a mains outlet which is switchable.

DMX512 control

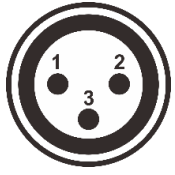


A DMX512 data link is required in order to control the device via DMX. The device provides 3-pin XLR connectors for DMX connection.

- 1 Connect the output of your DMX controller to the DMX input DMX IN of the device with a DMX cable.
- 2 Connect the DMX output DMX OUT of the device to the DMX input of the next unit in the chain. Always connect one output to the input of the next unit until all units are connected.
- 3 At the last unit, the DMX cable has to be terminated. Plug the terminator with a 120 Ω resistor between Signal (-) and Signal (+) in the DMX output of the last unit.
- 4 If the cable length exceeds 300 m or the number of DMX devices is greater than 32, it is recommended to insert a DMX level amplifier to ensure proper data transmission.

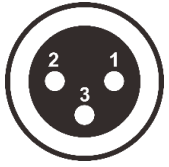
XLR connection:

**DMX-input
XLR mounting-plug:**



1:Ground
2:Signal-
3:Signal+

**DMX-output
XLR mounting-socket:**

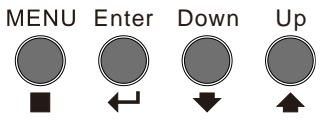
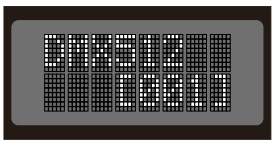


1:Ground
2:Signal-
3:Signal+

OPERATION

After connecting the device to the mains it is ready for operation. The display indicates the last operating mode. The operating modes can be selected by means of the display and the control buttons. All settings remain stored even if the device is disconnected from the mains. The device can be operated in stand-alone mode via the control board operating buttons or in DMX-controlled mode via any commercial DMX controller.

Operating buttons



- MENU**---Selects the operating mode or returns to the initial screen.
- Enter**----Activates a value to be modified or saves a value when modifying.
- Down**----Selects the next menu item or increases values when modifying.
- Up**-----Selects the previous menu item or decreases values when modifying.

Menu structure

| W | WA | RGBW | RGBALC | |
|----------------|------------------|-----------------|-----------------|--|
| Display | | | | Function |
| DMX512 [MODE] | DMX512 [MODE] | DMX512 [MODE] | DMX512 [MODE] | Setting the DMX starting address from 001 - 512 |
| | Dimmer WW-[MODE] | | | Dimmer intensity of Warm White(3200K) LED ---000-255 |
| | Dimmer CW-[MODE] | | | Dimmer intensity of Cold White(5600K) LED ---000-255 |
| | | Dimmer R-[MODE] | Dimmer R-[MODE] | Dimmer intensity of red LED color ---000-255 |
| | | Dimmer G-[MODE] | Dimmer G-[MODE] | Dimmer intensity of green LED color ---000-255 |
| | | Dimmer B-[MODE] | Dimmer B-[MODE] | Dimmer intensity of blue LED color ---000-255 |
| | | Dimmer W-[MODE] | | Dimmer intensity of white LED color ---000-255 |
| | | | Dimmer A-[MODE] | Dimmer intensity of Amber LED color ---000-255 |
| | | | Dimmer L-[MODE] | Dimmer intensity of Lemon LED color ---000-255 |
| | | | Dimmer C-[MODE] | Dimmer intensity of Cyan LED color ---000-255 |
| | Col_Temp [MODE] | Col_Temp [MODE] | Col_Temp [MODE] | Setting the Color temperature (WA--3200K-5600K) (RGBW,RGBALC--1800K-10000K) |
| Dimming [MODE] | Dimming [MODE] | Dimming [MODE] | Dimming [MODE] | Dimmer intensity of Master---000-255 |
| Strobe [MODE] | Strobe [MODE] | Strobe [MODE] | Strobe [MODE] | Setting the strobe speed 00 – 12 (increasing) |
| | | Fade [MODE] | Fade [MODE] | Setting the fade speed of automatic color fade speed00 – 12 (increasing) |
| | | Auto [MODE] | Auto [MODE] | Setting the speed of automatic color change speed 00 – 12 (increasing) |
| | | CCS [MODE] | CCS [MODE] | Color Calibration System (CCS)---ON / OFF |
| Channel [MODE] | Channel [MODE] | Channel [MODE] | Channel [MODE] | Setting DMX channel mode: W--1 or 4 DMX channels ; WA--4 or 7 DMX channels ; RGBW--6 or 11 DMX channels ; RGBALC--6 or 13 DMX channels ; |
| PWM [MODE] | PWM [MODE] | PWM [MODE] | PWM [MODE] | Pulse-width modulation With this function you can select the PWM frequency of the LEDs to 1200 Hz, 2400 Hz, 4800 Hz or 9600 Hz. To select this function in the menu, the dimmer intensity of all LED |

Interconnecting several devices (master/slave operation)

Several devices may be interconnected (max. 32). Then all slave units can be synchronized and controlled with the master unit without the need for a DMX controller. The devices must be set to the corresponding operating modes.

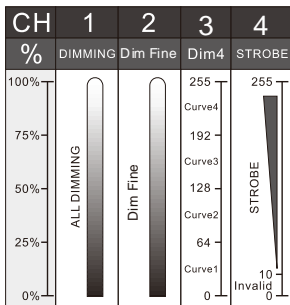
- 1 Configure all slave units before connecting the master unit: Set each Slave device to the same DMX address "001".
- 2 Connect the DMX output of the master unit to the DMX input of the first slave unit. Then connect the DMX output of the first slave unit to the DMX input of the second slave unit, etc. until all units have been connected in a chain. Make sure the master unit is the first in the chain. Do not connect a DMX controller to the DMX input of the master unit.
- 3 Set the master unit to the desired operating mode, either Dimmer or Strobe. The interconnected devices will now operate synchronously.

Note: Please make sure that you do not have any overlapping channels in order to control each device correctly and independently from any other fixture on the DMX chain. If several devices are addressed to the same address, they will work synchronously.

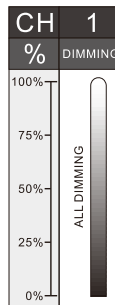
Functions in DMX mode

W--COB 100W LED CCT3200K/5600K

4Channels mode

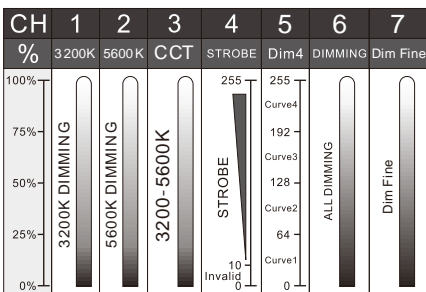


1Channel mode

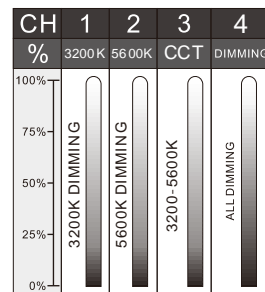


WA--COB 100W LED 2in1 CCT3200K+5600K

7Channels mode

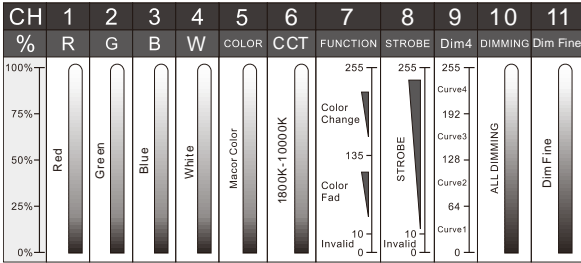


4Channels mode

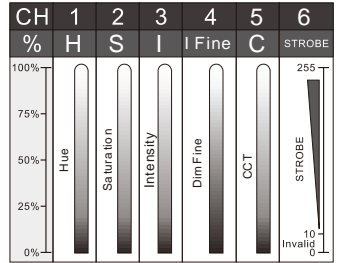


RGBW-COB 100W LED 4in1, RGBW

11Channels mode

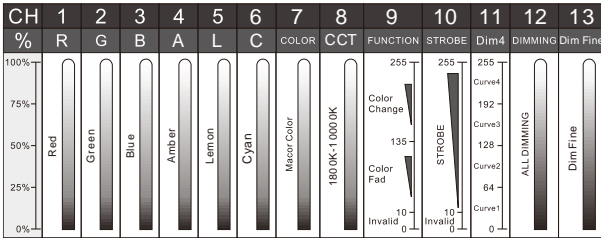


6Channels mode

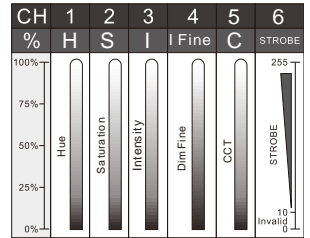


RGBALC--COB 100W LED 6in1, RGBALC

13Channels mode



6Channels mode






CLEANING AND MAINTENANCE

The outside of the device should be cleaned periodically to remove contaminants such as dust etc. The lenses, in particular, should be clean to ensure that light will be emitted at maximum brightness.

- 1 Disconnect the device from power and allow it to cool before cleaning.
- 2 Clean the surface with a soft lint-free and moistened cloth. Never use alcohol or solvents as these may damage the surface. Make sure that no liquids can enter the device.
- 3 The device must be dry before reapplying power.

There are no serviceable parts inside. Do not open the housing. Do not try to repair the device by yourself as this may result in damage. Maintenance and service operations are only to be carried out by authorized dealers. Should you need any spare parts, please use genuine parts. Should you have further questions, please contact your dealer.

PROTECTING THE ENVIRONMENT

| | |
|--|--|
|   | <p>Disposal of old equipment When to be definitively put out of operation, take the product to a local recycling plant for a disposal which is not harmful to the environment. Devices marked with this symbol must not be disposed of as household waste. Contact your retailer or local authorities for more information. Remove any inserted batteries and dispose of them separately from the product.</p> |
|  | <p>You as the end user are required by law (Battery Ordinance) to return all used batteries/ rechargeable batteries. Disposing of them in the household waste is prohibited. You may return your used batteries free of charge to collection points in your municipality and anywhere where batteries/rechargeable batteries are sold. By disposing of used devices and batteries correctly, you contribute to the protection of the environment</p> |

TECHNICAL SPECIFICATIONS

- W COB 100W LED CCT3200K/5600K
- WA COB 100W LED 2in1 CCT3200K+5600K
- RGBW COB 100W LED 4in1 RGBW
- RGBALC COB 100W LED 6in1 RGBALC

| | |
|--|--|
| Power supply: | 100-240 V AC, 50/60 Hz |
| Power consumption: | 100 W |
| IP classification: | IP20 |
| Protection class: | Class I |
| Environment Temperatures: | -20°C~40°C(-4°F~104°F) |
| Power connection: | Mains input P-Con (blue) mounting version |
| Power output: | P-Con (gray) mounting version |
| Lamp type: | LED lamp |
| LED: | 1 x COB (chip-on-board) 100 W |
| DMX input: | 3-pin XLR (M) mounting version |
| DMX output: | 3-pin XLR (F) mounting version |
| Cooling: | Entire housing as a heat sink + Cooling fan |
| Control: | RDM; DMX; stand-alone; Light Captain |
| Beam angle (1/2 peak): | 20°-40° |
| Color rendering index (CRI) more than: | 95 Ra |
| Housing color: | Black |
| Display type: | LCD |
| Dimensions: | Length: 37.5cm * Width: 17.8cm * Height: 24 cm |
| Weight: | 4kg |

